



Name of unit:  
**Producing a support plate**

Field of education:  
**Mechanical engineering**

Professional qualification:  
**CNC operator**

Exercise:  
**Technical drawing of a support plate**

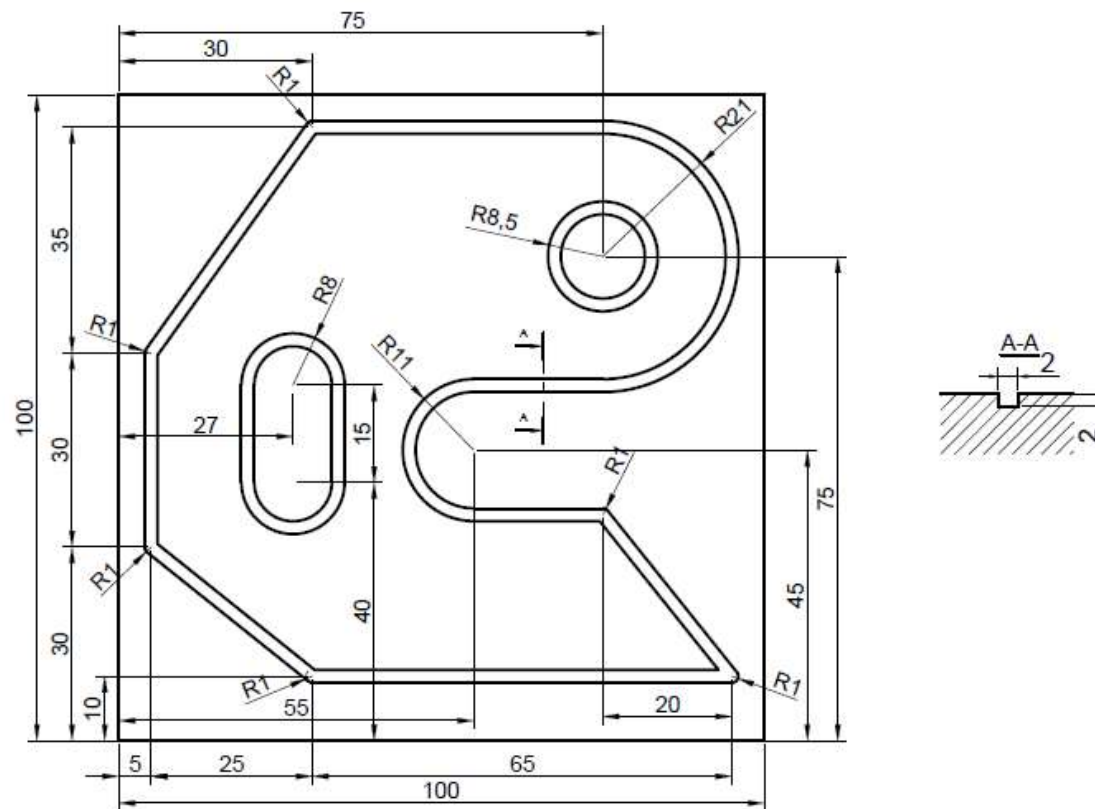
Variant:  
**Support plate 1**



## Instructions for exercise:

According to the workshop drawing try to do the following:

- Draw the 3D model of a finished part in Autodesk Fusion 360 software.
- Set the coordinate system and raw material.
- Choose all needed operations.
- Adjust the tool.
- Check through the simulation if everything works fine.
- Export the G-code for the drawn part.



Measure: M 1:1	Date:	Surname and name:	Strukovna škola ĐURĐEVAC
Position -	Assembly drawing (number): -		Material : -
Number of drawings: -		Name: Load-bearing Plate 1	