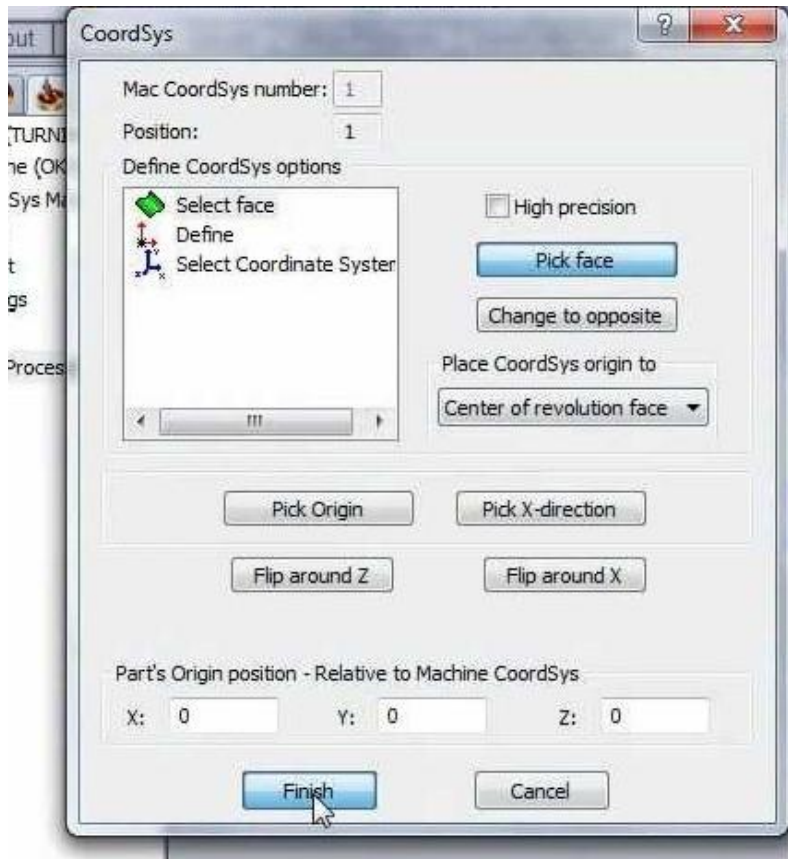
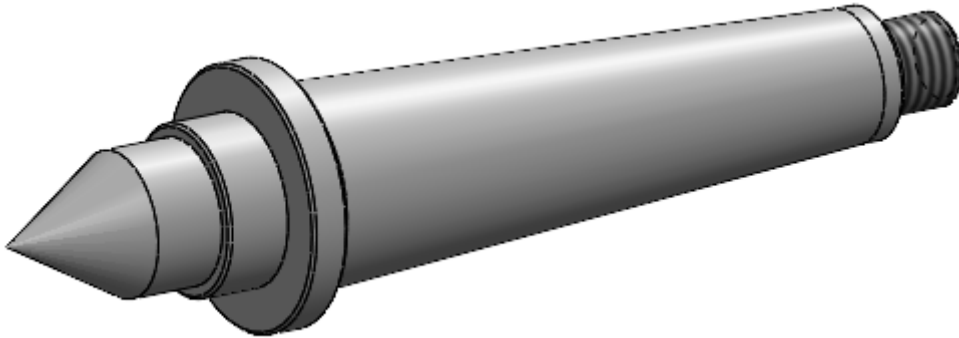


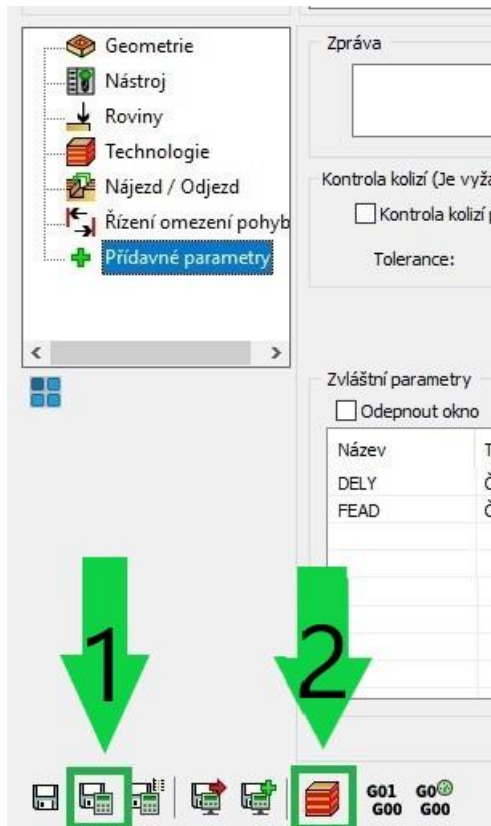
Dead lathe center – program CAM

1. Select the 1st operation (TURNING) - New shape geometry

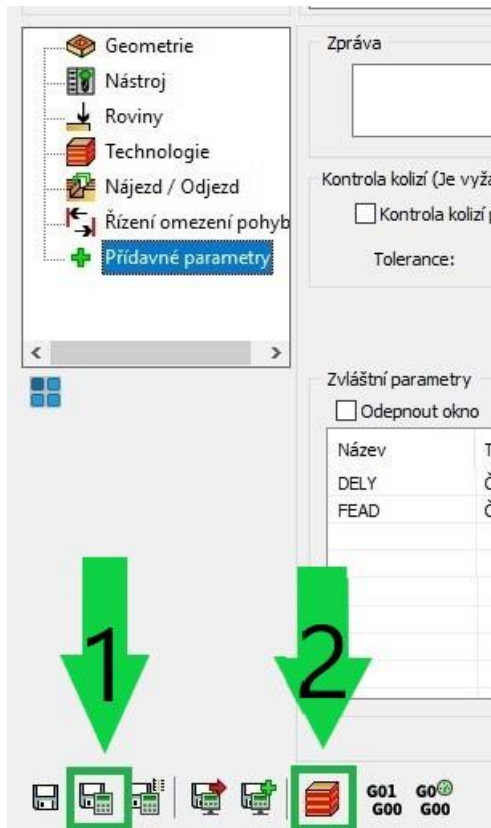


2. Select tool movement geometry
3. Determine the tool (type and its cutting conditions)
4. Determine the planes
5. Chip removal technology

6. Raid and departure of the tool
7. Save and recalculate the operation (1) and test machine simulation (2)



8. 3D simulation - video preview
9. Rotate part
10. Select tool movement geometry
11. Determine the tool (type and its cutting conditions)
12. Determine the planes
13. Chip removal technology
14. Raid and departure of the tool
15. Save and recalculate the operation (1) and test machine simulation (2)



16. 3D simulation - video preview

17. Recalculation of all operations and program generation



18. Save - The part is done