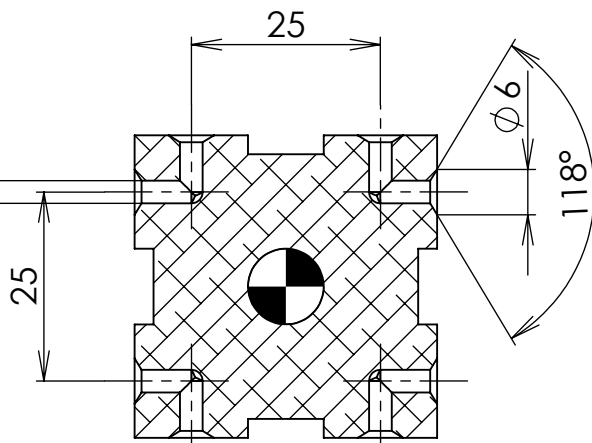
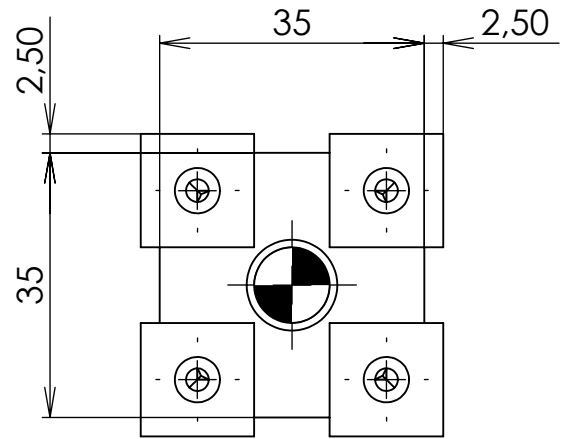
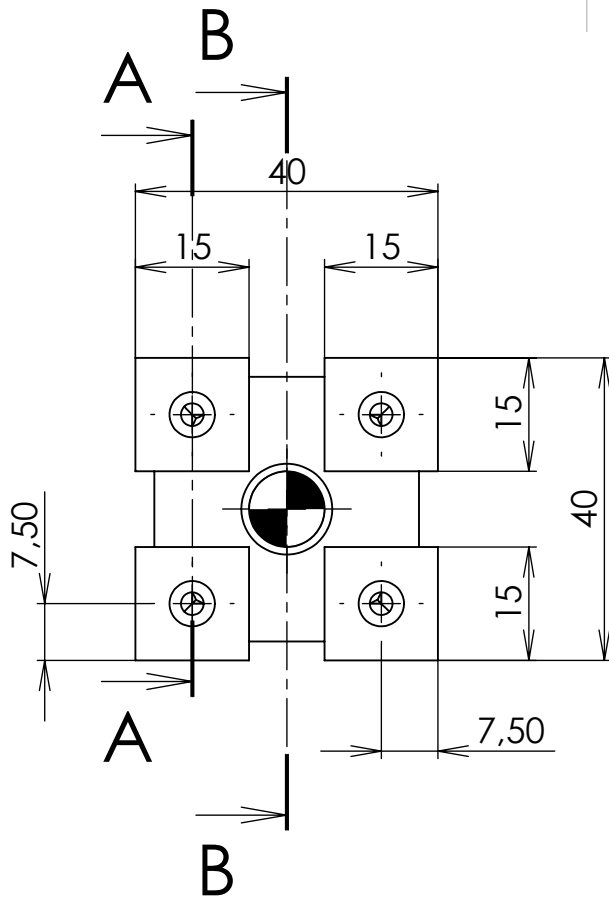
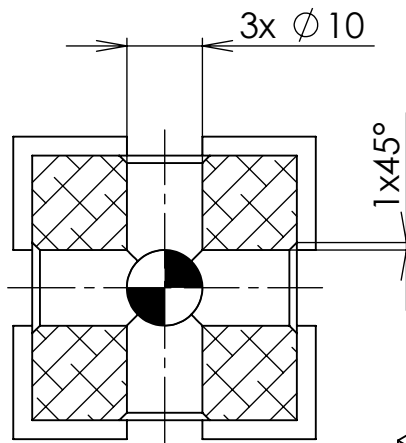


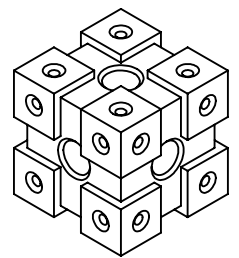
24x ϕ 3 up to 7,5 mm



SECTION A-A



SECTION B-B



MATERIAL Aluminium		INDEX	CHANGE	DATE	SIGNATURE
SEMI-FINISHED PRODUCT					
TOLERATION ISO 8015 ANO					
ACCURACY ISO 2768 m K					
SCREENING		MASS 0,124 kg		SCALE 1:1	
DRAWN Tomáš Plítek	APPROVED Lukáš Vydra	ASSEM.		BOM	
CHECKED Tomáš Plítek	DATE 30.06.2021	REPL. FOR			

SOŠ a SOU technické Třemošnice



NAME

Cube

DRAWING No.