

1

2

3

4

A

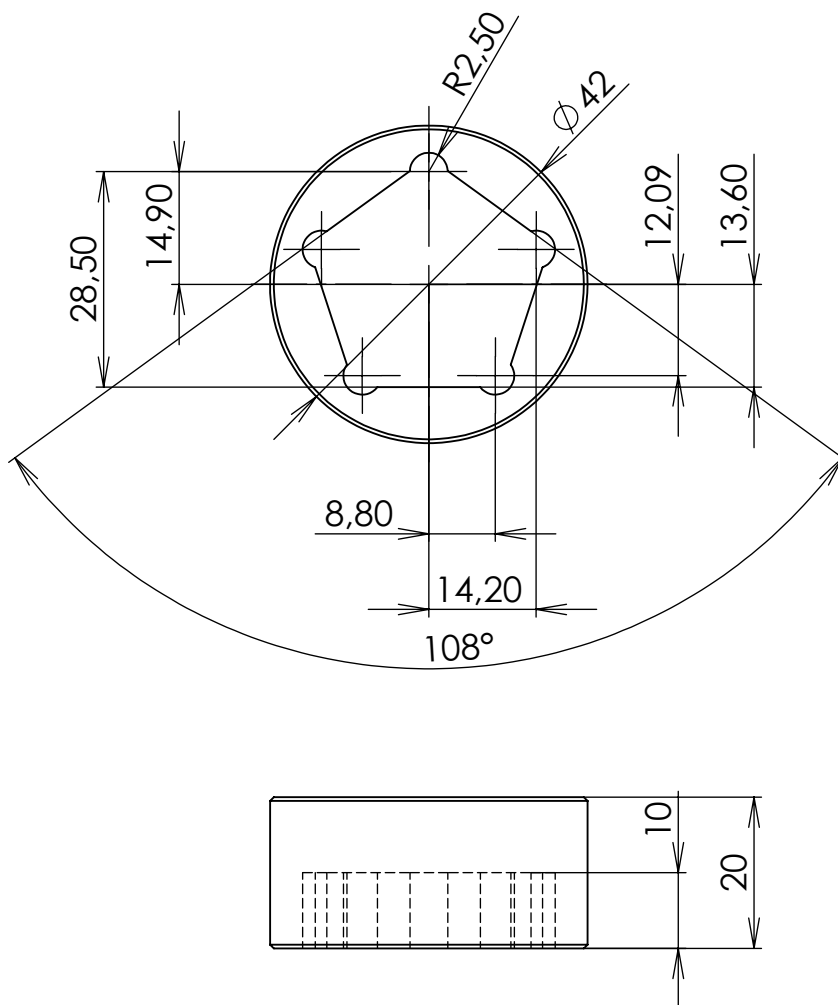
B

C


D

E

F



Unquoted chamfers are 0,5x45°

MATERIAL	11343	INDEX	CHANGE	DATE	SIGNATURE
SEMI-FINISHED PRODUCT					
TOLERATION	ISO 8015 ANO				
ACCURACY	ISO 2768 m K				
SCREENING				MASS	0,163 kg
DRAWN	Tomáš Plítek	APPROVED	Lukáš Vydra	SCALE	1:1
CHECKED	Tomáš Plítek	DATE	30.06.2021	ASSEM.	BOM
				REPL. FOR	

SOŠ a SOU technické Třemošnice



NAME

Socket wrench

DRAWING No.