

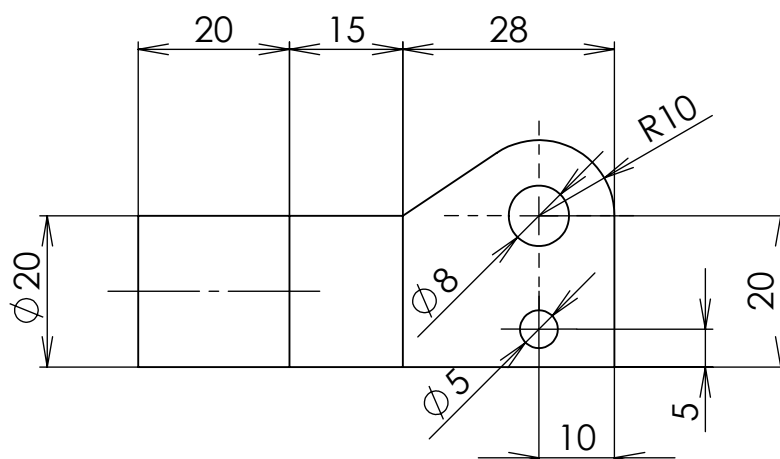
1

2

3

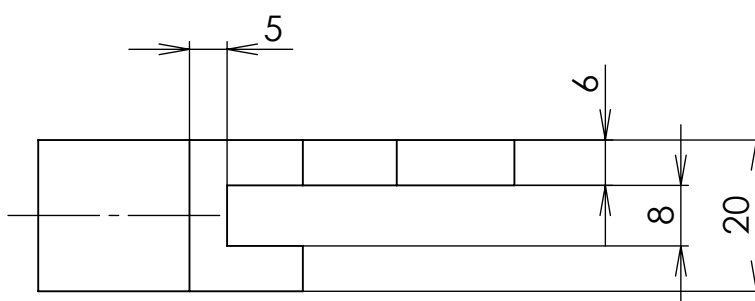
4

A

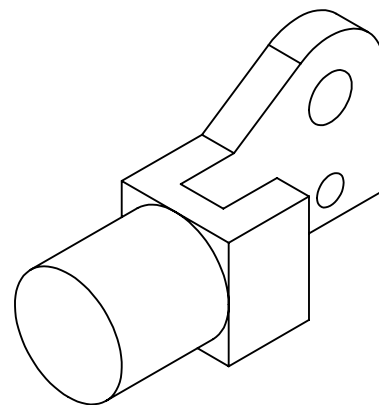


B

C



D



E

MATERIAL	Aluminium		INDEX	CHANGE	DATE	SIGNATURE
SEMI-FINISHED PRODUCT						
TOLERATION	ISO 8015	ANO				
ACCURACY	ISO 2768	m K				
SCREENING					MASS	0,040 kg
					SCALE	<b>1:1</b>
DRAWN	Tomáš Plítek	APPROVED	Lukáš Vydra	ASSEM.	BOM	
CHECKED	Tomáš Plítek	DATE	06.08.2021	REPL. FOR		

F

SOŠ a SOU technické Třemošnice



NAME

Holder

DRAWING No.