

1 2 3 4

A

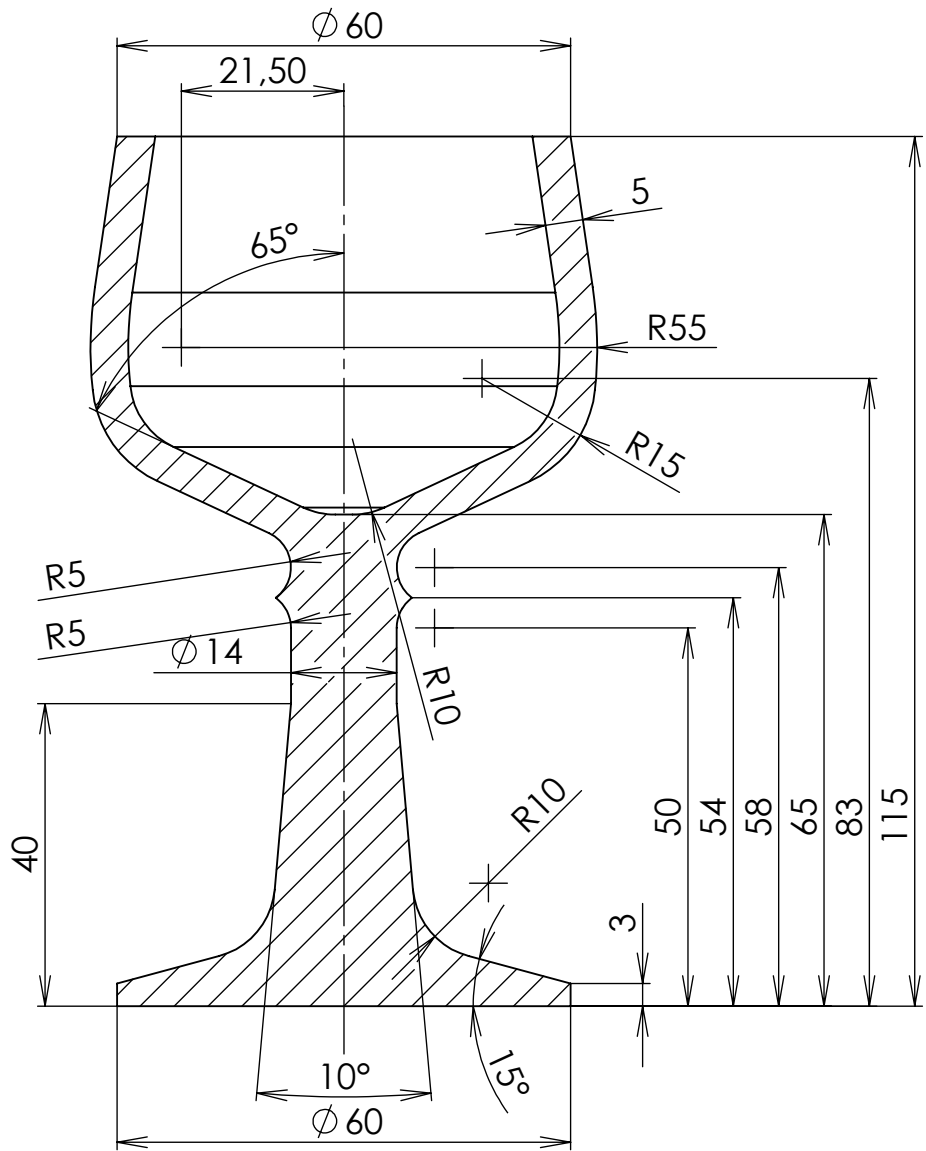
B


C

D

E

F



MATERIAL		Wood		INDEX	CHANGE	DATE	SIGNATURE
SEMI-FINISHED PRODUCT							
TOLERATION	ISO 8015	ANO					
ACCURACY	ISO 2768	m K					
SCREENING				MASS	0,030kg	SCALE	1:1
DRAWN	Tomáš Plítek	APPROVED Lukáš Vydra		ASSEM.		BOM	
CHECKED	Tomáš Plítek	DATE 18.08.2021		REPL. FOR			

SOŠ a SOU technické Třemošnice



NAME

Goblet

DRAWING No.