

1

2

3

4

A

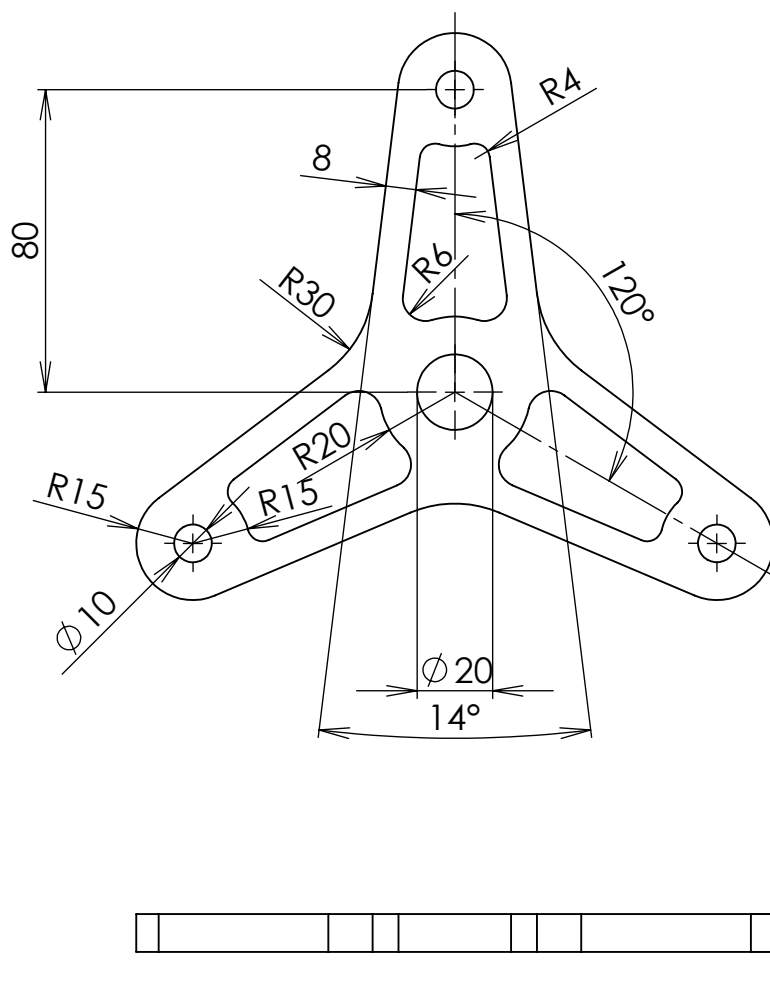
B



C

D

E

F



MATERIAL Aluminium		INDEX		CHANGE		DATE		SIGNATURE	
SEMI-FINISHED PRODUCT									
TOLERATION ISO 8015 ANO									
ACCURACY ISO 2768 m K									
SCREENING 						MASS 0,162 kg		SCALE 1:2	
DRAWN Tomáš Plítek		APPROVED Lukáš Vydra		ASSEM.		BOM			
CHECKED Tomáš Plítek		DATE 30.06.2021		REPL. FOR					
SOŠ a SOU technické Třemošnice				NAME					
				Lever arm					
				DRAWING No.					