

A

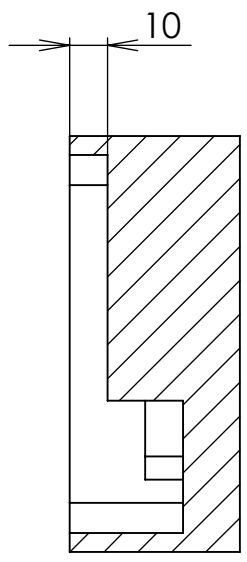
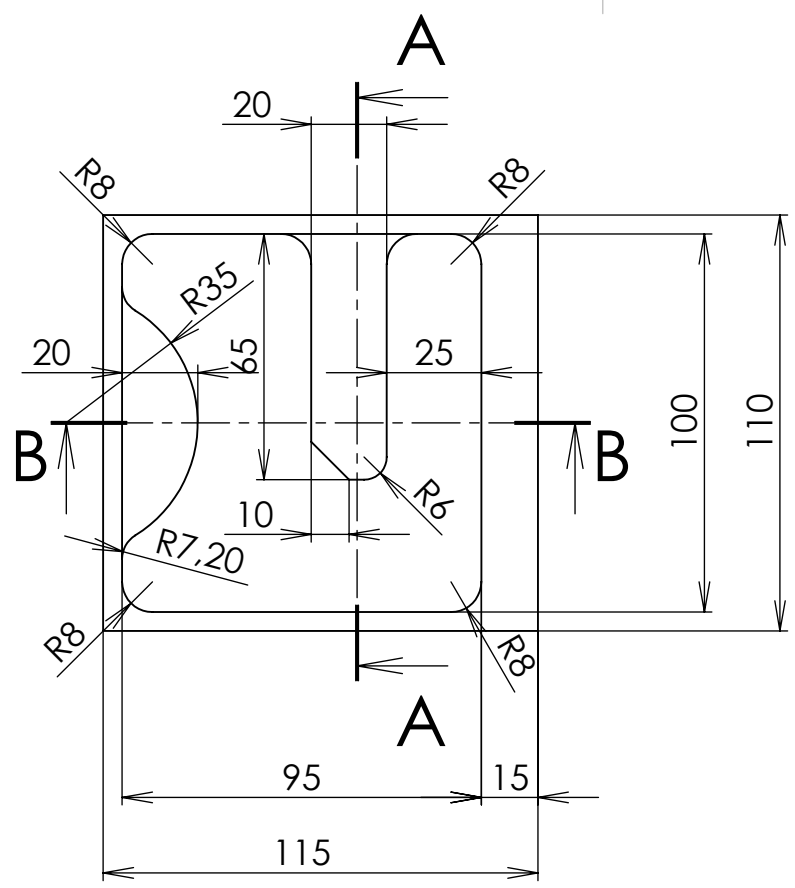
B

C

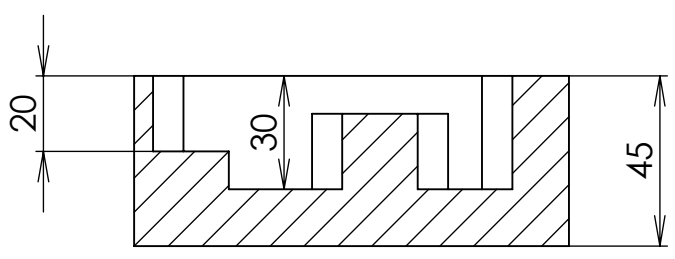
D

E

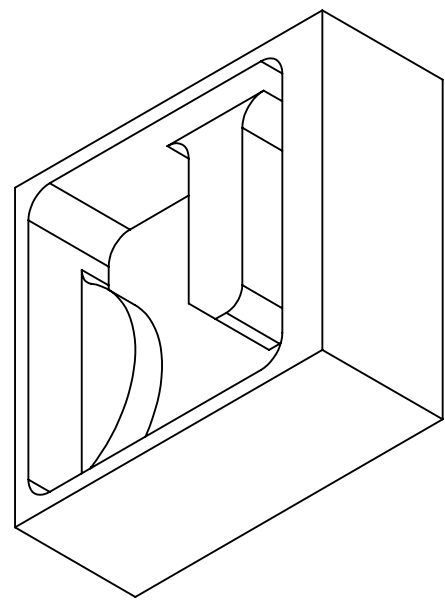
F



SECTION A-A



SECTION B-B



MATERIAL		Wood		INDEX	CHANGE	DATE	SIGNATURE
SEMI-FINISHED PRODUCT							
TOLERATION	ISO 8015	ANO					
ACCURACY	ISO 2768	m K					
SCREENING				MASS		0,110 kg	SCALE
DRAWN	Tomáš Plítek	APPROVED Lukáš Vydra		ASSEM.		BOM	
CHECKED	Tomáš Plítek	DATE 05.08.2021		REPL. FOR			

1:2

SOŠ a SOU technické Třemošnice



NAME Bowl

DRAWING No.