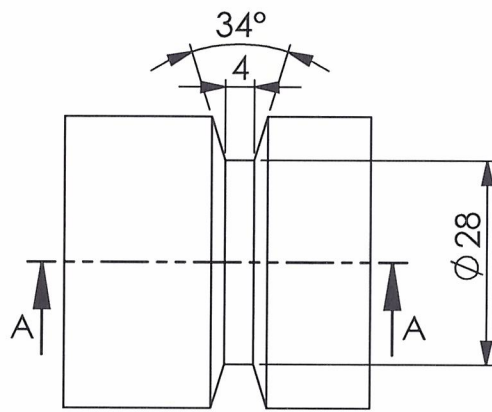
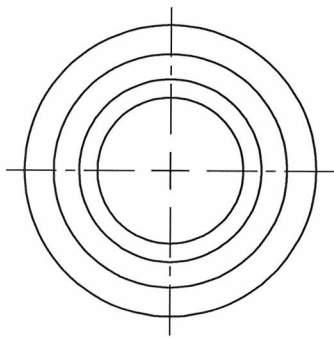
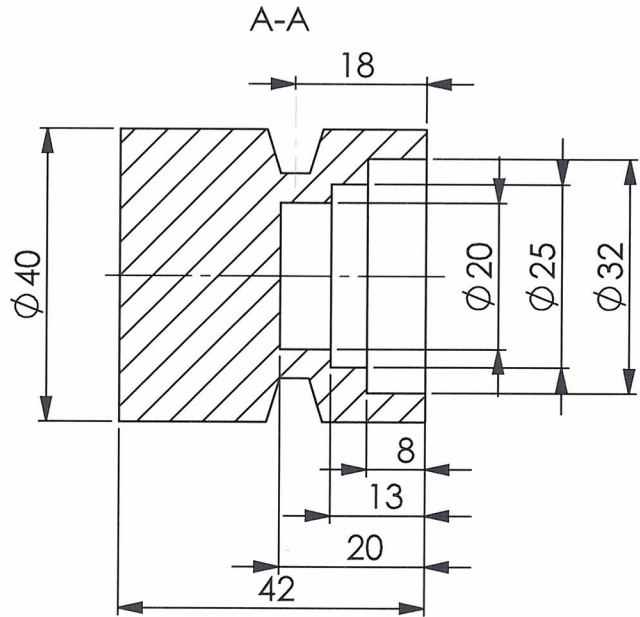
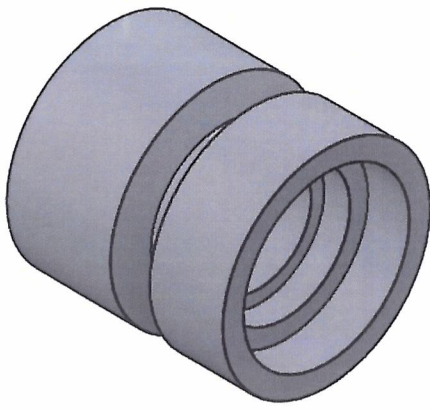


| POS-NR. | BENENNUNG | BESCHREIBUNG | MENGE |
|---------|-----------------|--------------|-------|
| 1 | Gewindebolzen_2 | | 1 |
| 2 | Mutter_M24_2 | | 1 |

| IF NO OTHER DEFINITIONS ARE GIVEN: MEASURES IN MILLIMETERS SURFACE STATE: TOLERANCES: LINEAR: ANGLE: | SURFACE QUALITY: | | DEBURR AND BREAK THE SHARP EDGES | DO NOT SCALE THE DRAWING | MODIFICATION | | | | | | | | | | | | | | | | | | | |
|---|--|------|----------------------------------|---|--------------|------|--|--|--|--|--|--|--|--|--|--|--|--|--|--|--|--|--|--|
| | <table border="1"> <thead> <tr> <th>NAME</th> <th>SIGNATUR</th> <th>DATE</th> </tr> </thead> <tbody> <tr><td> </td><td> </td><td> </td></tr> <tr><td> </td><td> </td><td> </td></tr> <tr><td> </td><td> </td><td> </td></tr> <tr><td> </td><td> </td><td> </td></tr> <tr><td> </td><td> </td><td> </td></tr> <tr><td> </td><td> </td><td> </td></tr> </tbody> </table> | | | NAME | SIGNATUR | DATE | | | | | | | | | | | | | | | | | | |
| NAME | SIGNATUR | DATE | | | | | | | | | | | | | | | | | | | | | | |
| | | | | | | | | | | | | | | | | | | | | | | | | |
| | | | | | | | | | | | | | | | | | | | | | | | | |
| | | | | | | | | | | | | | | | | | | | | | | | | |
| | | | | | | | | | | | | | | | | | | | | | | | | |
| | | | | | | | | | | | | | | | | | | | | | | | | |
| | | | | | | | | | | | | | | | | | | | | | | | | |
| MATERIAL: AlMgSi1 | | | | DRAWING NUMBER: Baugruppe_Verschraubung | | | | | | | | | | | | | | | | | | | | |
| WEIGHT: | | | | SCALE: 1:1 | SHEET 1 of 1 | | | | | | | | | | | | | | | | | | | |

Project 2
Screwed Connection (1/5)

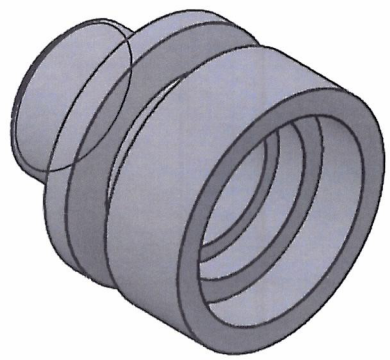
A4



| | | | | | | | | | |
|---|--|------------------|--|----------------------------------|--|--|--|-----------------|--|
| IF NO OTHER DEFINITIONS ARE GIVEN: MEASURES IN MILLIMETERS SURFACE STATE: TOLERANCES: LINEAR: ANGLE: | | SURFACE QUALITY: | | DEBURR AND BREAK THE SHARP EDGES | | DO NOT SCALE THE DRAWING | | MODIFICATION | |
| DRAWN | | SIGNATUR | | DATE | | NAME: | | | |
| CONTROLLED | | | | | | <h2 style="text-align: center;">Project 2</h2> <h3 style="text-align: center;">Screwed Connection (2/5)</h3> | | | |
| APPROVED | | | | | | | | DRAWING NUMBER: | |
| PRODUCTION | | | | | | Gewindebolzen_1 | | | |
| QUALITY | | | | MATERIAL: AlMgSi1 | | SCALE: 1:1 | | SHEET 1 of 1 | |
| | | | | WEIGHT: | | | | | |

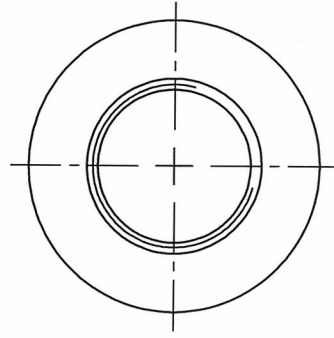
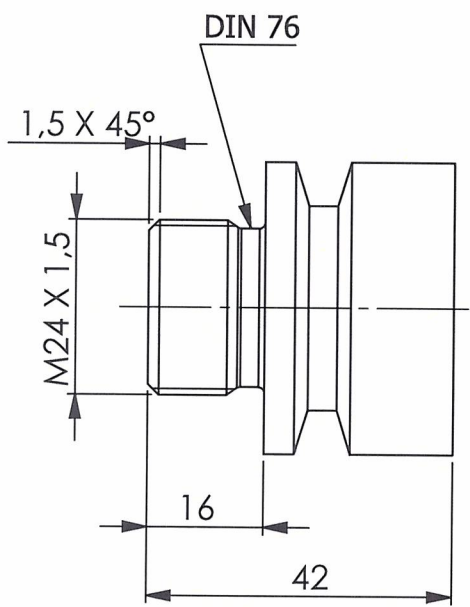
4 3 2 1

F F



E E

D D



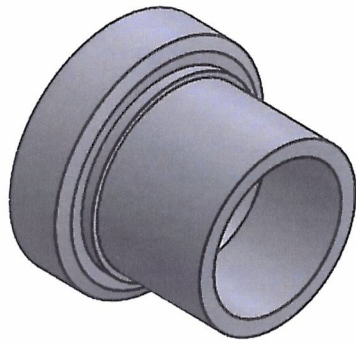
C C

B B

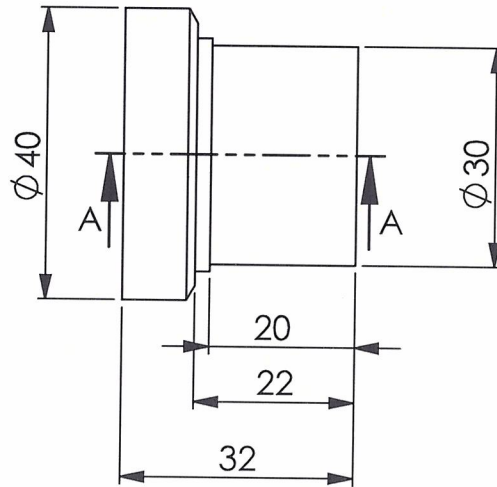
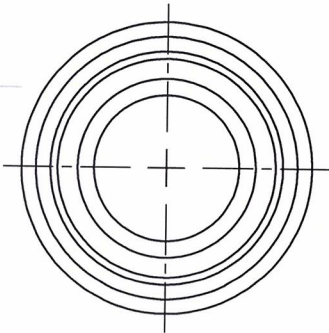
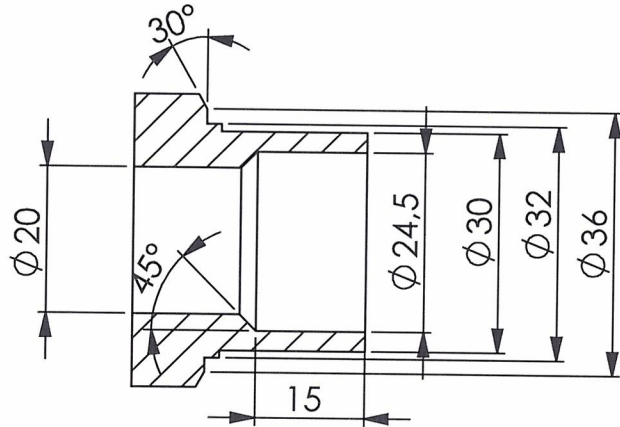
| | | | | | | | | | |
|---|--|------------------|--|----------------------------------|--|---|--|------------------------------------|--|
| IF NO OTHER DEFINITIONS ARE GIVEN: MEASURES IN MILLIMETERS SURFACE STATE: TOLERANCES: LINEAR: ANGLE: | | SURFACE QUALITY: | | DEBURR AND BREAK THE SHARP EDGES | | DO NOT SCALE THE DRAWING | | MODIFICATION | |
| | | | | | | | | | |
| DRAWN | | SIGNATUR | | DATE | | NAME: <h2 style="text-align: center;">Project 2</h2> <h1 style="text-align: center;">Screwed Connection (3/5)</h1> | | | |
| CONTROLLED | | | | | | | | | |
| APPROVED | | | | | | | | | |
| PRODUCTION | | | | | | | | | |
| QUALITY | | | | | | MATERIAL: AlMgSi1 | | DRAWING NUMBER: Gewindebolzen_2 | |
| | | | | | | WEIGHT: | | SCALE: 1:1 | |
| | | | | | | | | SHEET 1 of 1 | |

A A

4 3 2 1



A-A



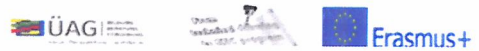
IF NO OTHER DEFINITIONS ARE GIVEN:
 MEASURES IN MILLIMETERS
 SURFACE STATE:
 TOLERANCES:
 LINEAR:
 ANGLE:

SURFACE QUALITY:

DEBURR AND BREAK THE SHARP EDGES

DO NOT SCALE THE DRAWING

MODIFICATION



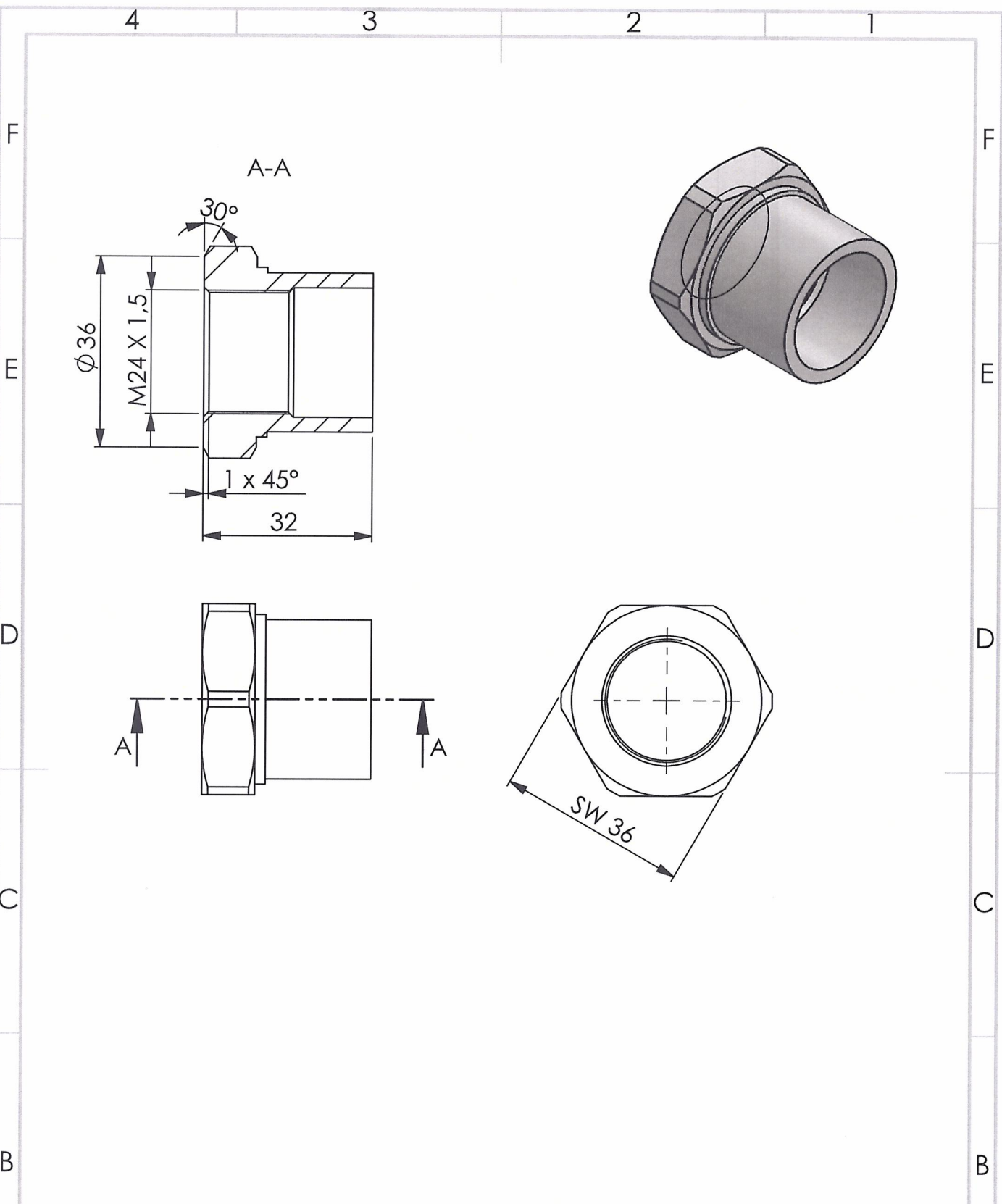
| NAME | SIGNATUR | DATE | | | |
|------------|----------|------|----------------------|--|--|
| DRAWN | | | | | |
| CONTROLLED | | | | | |
| APPROVED | | | | | |
| PRODUCTION | | | | | |
| QUALITY | | | | | |
| | | | MATERIAL: AIMgSi1 | | |
| | | | WEIGHT: | | |

| | | | |
|-----------------|--|---|--|
| NAME: | | Project 2 Screwed Connection (4/5) | |
| DRAWING NUMBER: | | | |
| Mutter_M24_1 | | A4 | |
| SCALE: 1:1 | | SHEET 1 of 1 | |

F
E
D
C
B
A

F
E
D
C
B
A

4 3 2 1
4 3 2 1



IF NO OTHER DEFINITIONS ARE GIVEN:
 MEASURES IN MILLIMETERS
 SURFACE STATE:
 TOLERANCES:
 LINEAR:
 ANGLE:

SURFACE QUALITY:

DEBURR AND BREAK THE SHARP EDGES

DO NOT SCALE THE DRAWING

MODIFICATION



| | NAME | SIGNATUR | DATE | | |
|------------|------|----------|------|--|--|
| DRAWN | | | | | |
| CONTROLLED | | | | | |
| APPROVED | | | | | |
| PRODUCTION | | | | | |
| QUALITY | | | | | |
| | | | | | |
| | | | | | |
| | | | | | |

NAME:
Project 2
Screwed Connection (5/5)

DRAWING NUMBER:
Mutter_M24_2

SCALE: 1:1

SHEET 1 of 1

MATERIAL:
AlMgSi1

A4

WEIGHT:

A

A

4

3

2

1