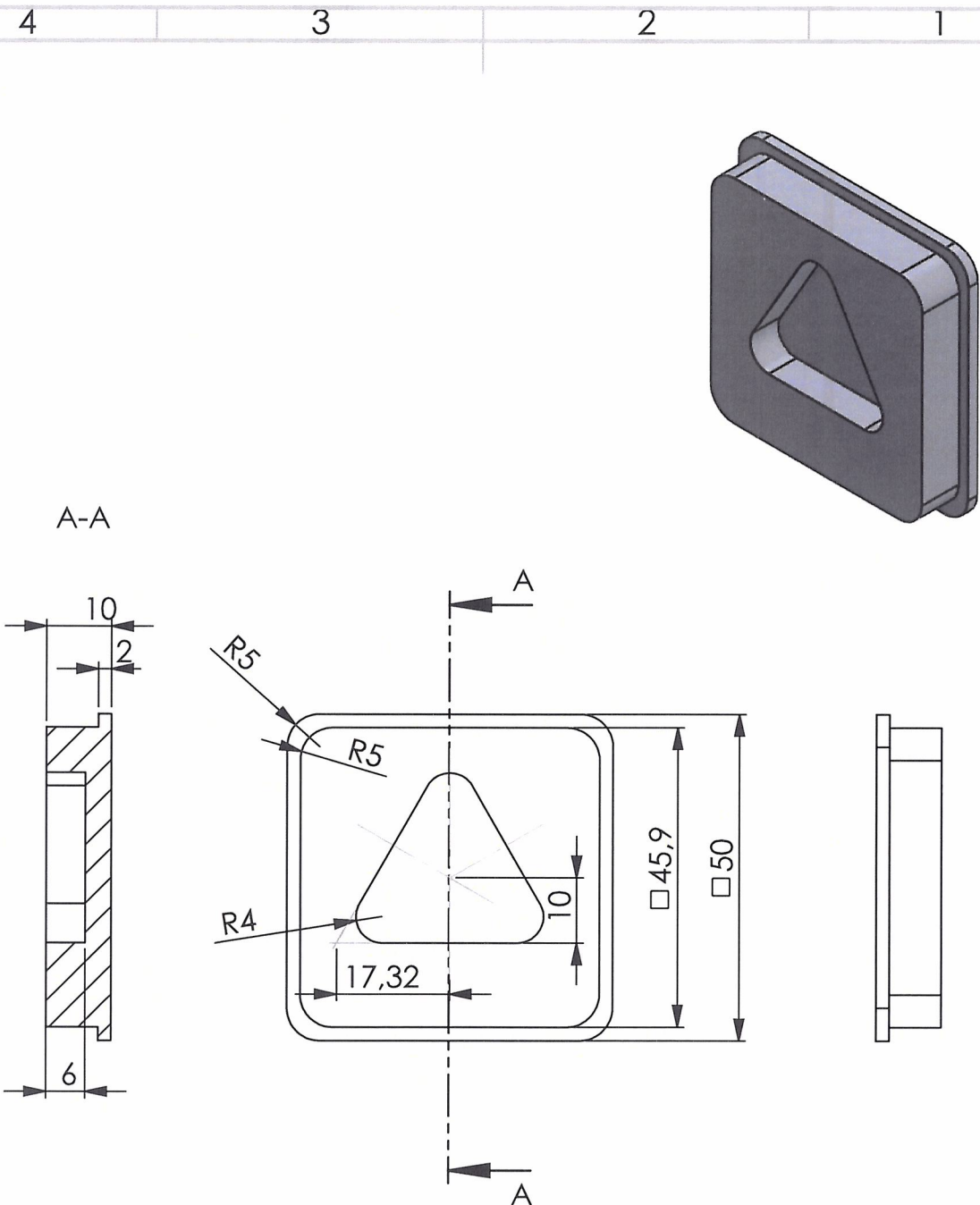


POS-NR.	BENENNUNG	BESCHREIBUNG	MENGE
1	Grundplatte_2		1
2	Deckplatte_2		1
3	DIN EN ISO 7046-1 - M5 x 10 - Z - 10N		1

IF NO OTHER DEFINITIONS ARE GIVEN: MEASURES IN MILLIMETERS SURFACE STATE: TOLERANCES: LINEAR: ANGLE:		SURFACE QUALITY:		DEBURR AND BREAK THE SHARP EDGES		DO NOT SCALE THE DRAWING		MODIFICATION	
DRAWN		SIGNATUR		DATE		NAME:			
CONTROLLED						<h2 style="text-align: center;">Project 3 Holder (1/5)</h2>			
APPROVED								DRAWING NUMBER:	
PRODUCTION						<h1 style="text-align: center;">Baugruppe-Halterung</h1> <p style="text-align: center;">(thread bolt)</p>			
QUALITY								SCALE: 1:1	
				MATERIAL: AlMgSi1					
				WEIGHT:					



IF NO OTHER DEFINITIONS ARE GIVEN:
 MEASURES IN MILLIMETERS
 SURFACE STATE:
 TOLERANCES:
 LINEAR:
 ANGLE:

SURFACE QUALITY:

DEBURR AND BREAK THE SHARP EDGES

DO NOT SCALE THE DRAWING

MODIFICATION



	NAME	SIGNATUR	DATE		
DRAWN					
CONTROLLED					
APPROVED					
PRODUCTION					
QUALITY					
				MATERIAL: AlMgSi1	
				WEIGHT:	

NAME:	Project 3 Holder (2/5)	
DRAWING NUMBER:		
	Deckplatte_1 (thread bolt)	A4
SCALE: 1:1	SHEET 1 of 1	

F
E
D
C
B
A

F
E
D
C
B
A

4 3 2 1

4 3 2 1

4 3 2 1

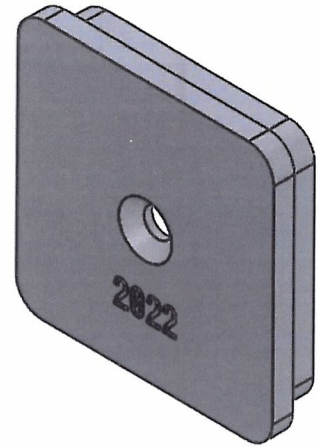
F F

E E

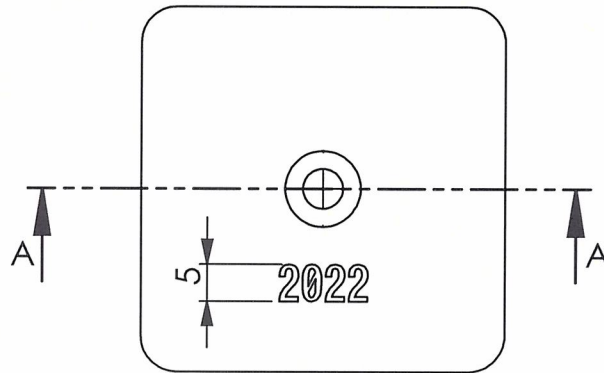
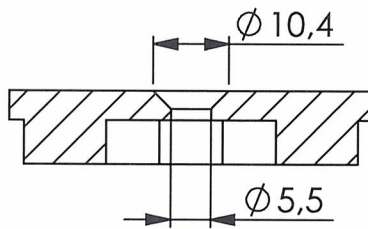
D D

C C

B B



A-A



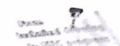
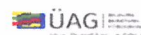
IF NO OTHER DEFINITIONS ARE GIVEN:
MEASURES IN MILLIMETERS
SURFACE STATE:
TOLERANCES:
LINEAR:
ANGLE:

SURFACE QUALITY:

DEBURR
AND BREAK
THE SHARP
EDGES

DO NOT SCALE THE DRAWING

MODIFICATION



	NAME	SIGNATUR	DATE		
DRAWN					
CONTROLLED					
APPROVED					
PRODUCTION					
QUALITY					
			MATERIAL: AlMgSi1		
			WEIGHT:		

NAME:

Project 3
Holder (3/5)

DRAWING NUMBER:

Deckplatte_2
(thread bolt)

A4

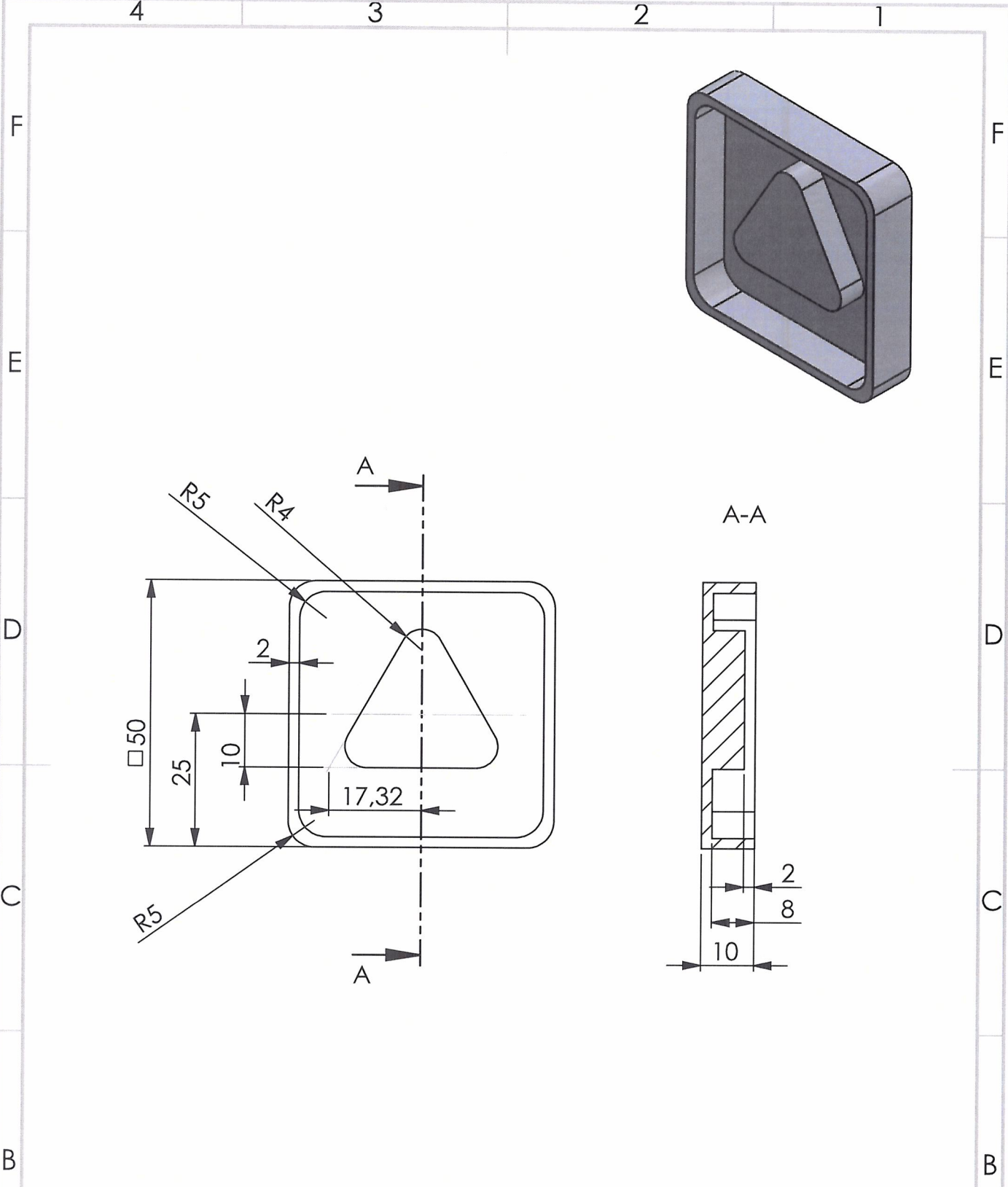
SCALE: 1:1

SHEET 1 of 1

4 3 2 1

A

A



IF NO OTHER DEFINITIONS ARE GIVEN:
 MEASURES IN MILLIMETERS
 SURFACE STATE:
 TOLERANCES:
 LINEAR:
 ANGLE:

SURFACE QUALITY:

DEBURR AND BREAK THE SHARP EDGES

DO NOT SCALE THE DRAWING

MODIFICATION



	NAME	SIGNATUR	DATE		
DRAWN					
CONTROLLED					
APPROVED					
PRODUCTION					
QUALITY					

NAME:
**Project 3
 Holder (4/5)**

DRAWING NUMBER:
Grundplatte_1
 (thread bolt)

SCALE: 1:1

SHEET 1 of 1

MATERIAL:
 AIMgSi1

WEIGHT:

A4

B

C

D

E

F

B

C

D

E

F

4

3

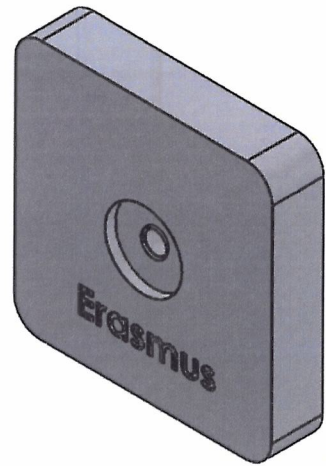
2

1

4 3 2 1

F

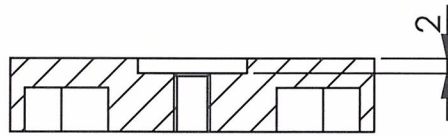
F



E

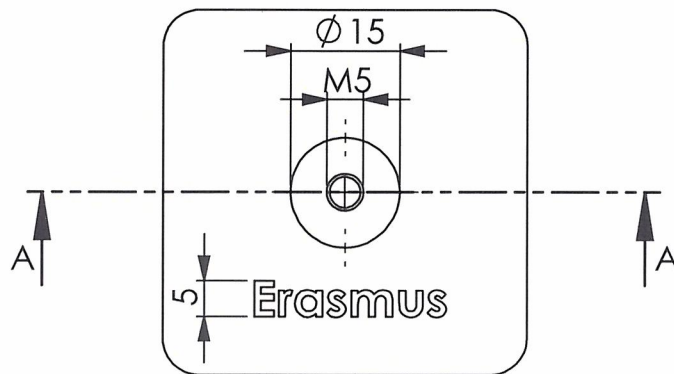
E

A-A



D

D



C

C

B

B

IF NO OTHER DEFINITIONS ARE GIVEN: MEASURES IN MILLIMETERS SURFACE STATE: TOLERANCES: LINEAR: ANGLE:	SURFACE QUALITY:		DEBURR AND BREAK THE SHARP EDGES		DO NOT SCALE THE DRAWING	MODIFICATION
DRAWN CONTROLLED APPROVED PRODUCTION	NAME	SIGNATUR	DATE		NAME: <h2 style="text-align: center;">Project 3 Holder (5/5)</h2>	
QUALITY				MATERIAL: AlMgSi1	DRAWING NUMBER: <h3 style="text-align: center;">Grundplatte_2</h3> (thread bolt)	A4
				WEIGHT:	SCALE: 1:1	SHEET 1 of 1

4 3 2 1

A

A