

4

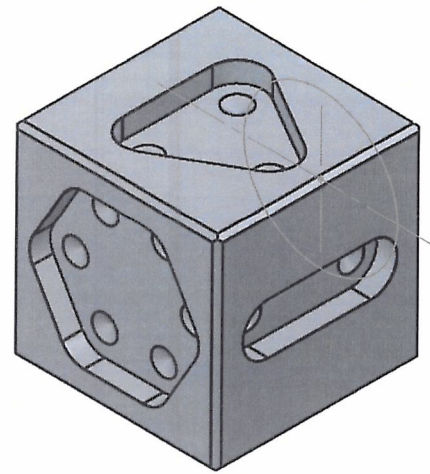
3

2

1

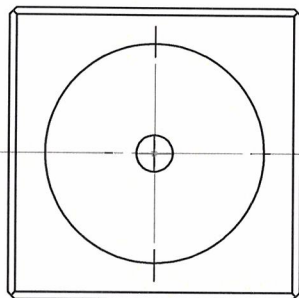
F

F



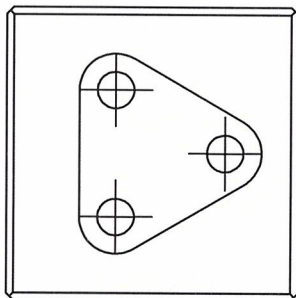
E

E



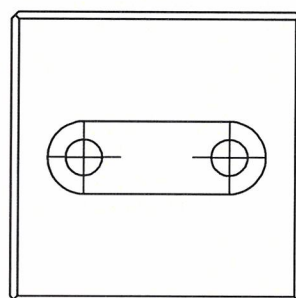
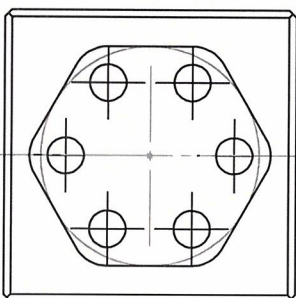
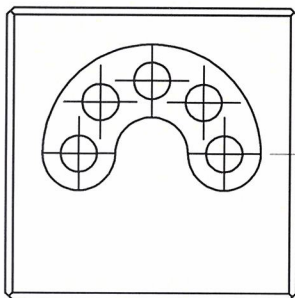
D

D



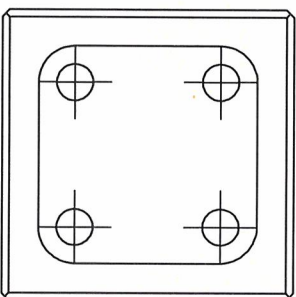
C

C



B

B



IF NO OTHER DEFINITIONS ARE GIVEN:
 MEASURES IN MILLIMETERS
 SURFACE STATE:
 TOLERANCES:
 LINEAR:
 ANGLE:

SURFACE QUALITY:

DEBURR AND BREAK THE SHARP EDGES

DO NOT SCALE THE DRAWING

MODIFICATION



	NAME	SIGNATUR	DATE			
DRAWN						
CONTROLLED						
APPROVED						
PRODUCTION						
QUALITY						

NAME: _____

Project 4 Contour cube (1/7)

DRAWING NUMBER: **Konturwuerfel**
(thread bolt)

SCALE: 1:1

SHEET 1 of 1

MATERIAL: **AlMgSi1**

WEIGHT:

A4

4

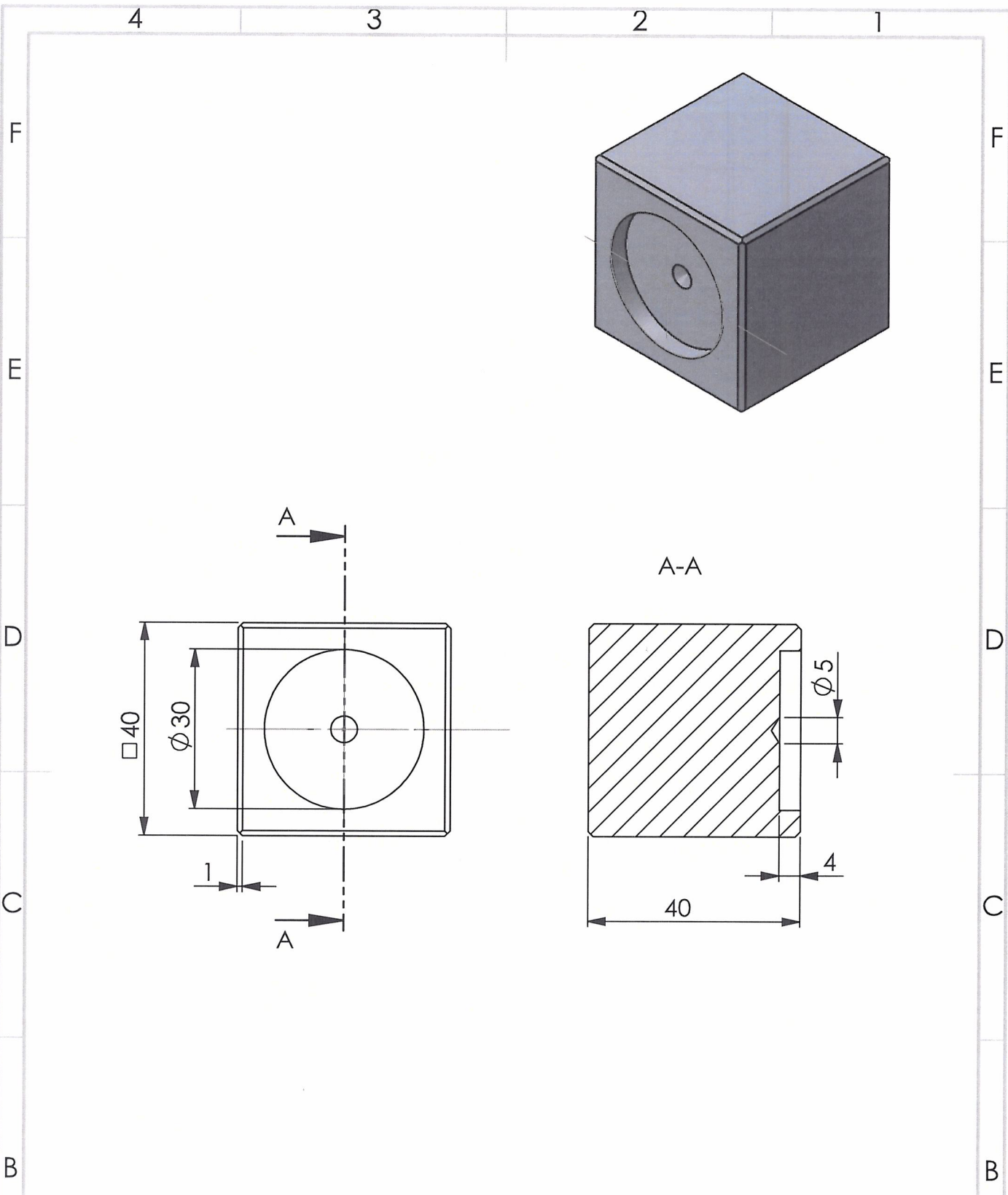
3

2

1

A

A



IF NO OTHER DEFINITIONS ARE GIVEN:
 MEASURES IN MILLIMETERS
 SURFACE STATE:
 TOLERANCES:
 LINEAR:
 ANGLE:

SURFACE QUALITY:

DEBURR AND BREAK THE SHARP EDGES

DO NOT SCALE THE DRAWING

MODIFICATION



	NAME	SIGNATUR	DATE		
DRAWN					
CONTROLLED					
APPROVED					
PRODUCTION					
QUALITY					
				MATERIAL: AlMgSi1	
				WEIGHT:	

NAME:
Project 4
Contour cube (2/7)

DRAWING NUMBER:
Konturwuerfel_1
 (thread bolt)

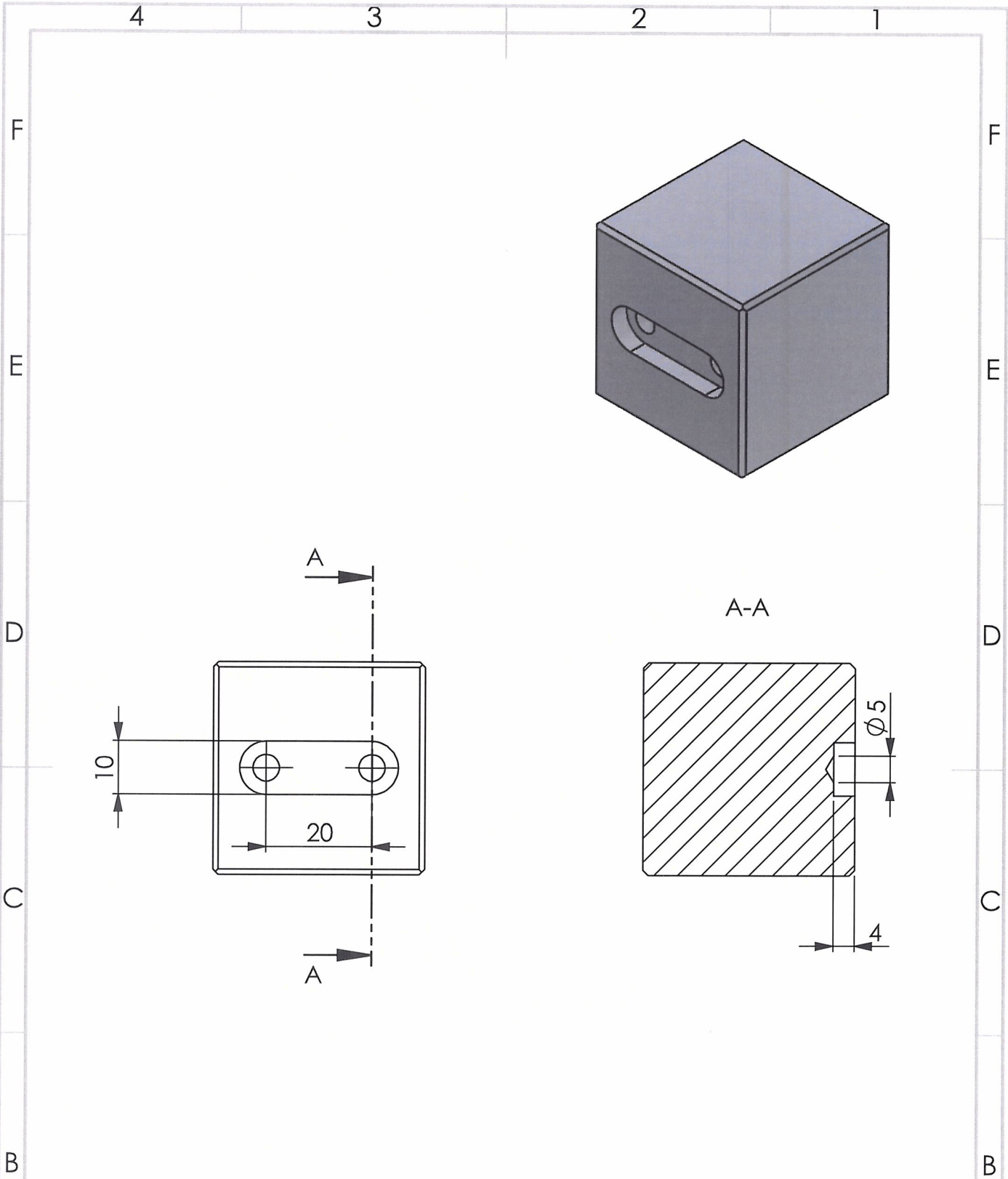
SCALE: 1:1

SHEET 1 of 1

A4

A

A



IF NO OTHER DEFINITIONS ARE GIVEN:
 MEASURES IN MILLIMETERS
 SURFACE STATE:
 TOLERANCES:
 LINEAR:
 ANGLE:

SURFACE QUALITY:

DEBURR AND BREAK THE SHARP EDGES

DO NOT SCALE THE DRAWING

MODIFICATION



	NAME	SIGNATUR	DATE
DRAWN			
CONTROLLED			
APPROVED			
PRODUCTION			
QUALITY			

NAME:
**Project 4
 Contour cube (3/7)**

MATERIAL:
AlMgSi1

DRAWING NUMBER:
Konturwuerfel_2
 (thread bolt)

A4

WEIGHT:

SCALE: 1:1

SHEET 1 of 1

A

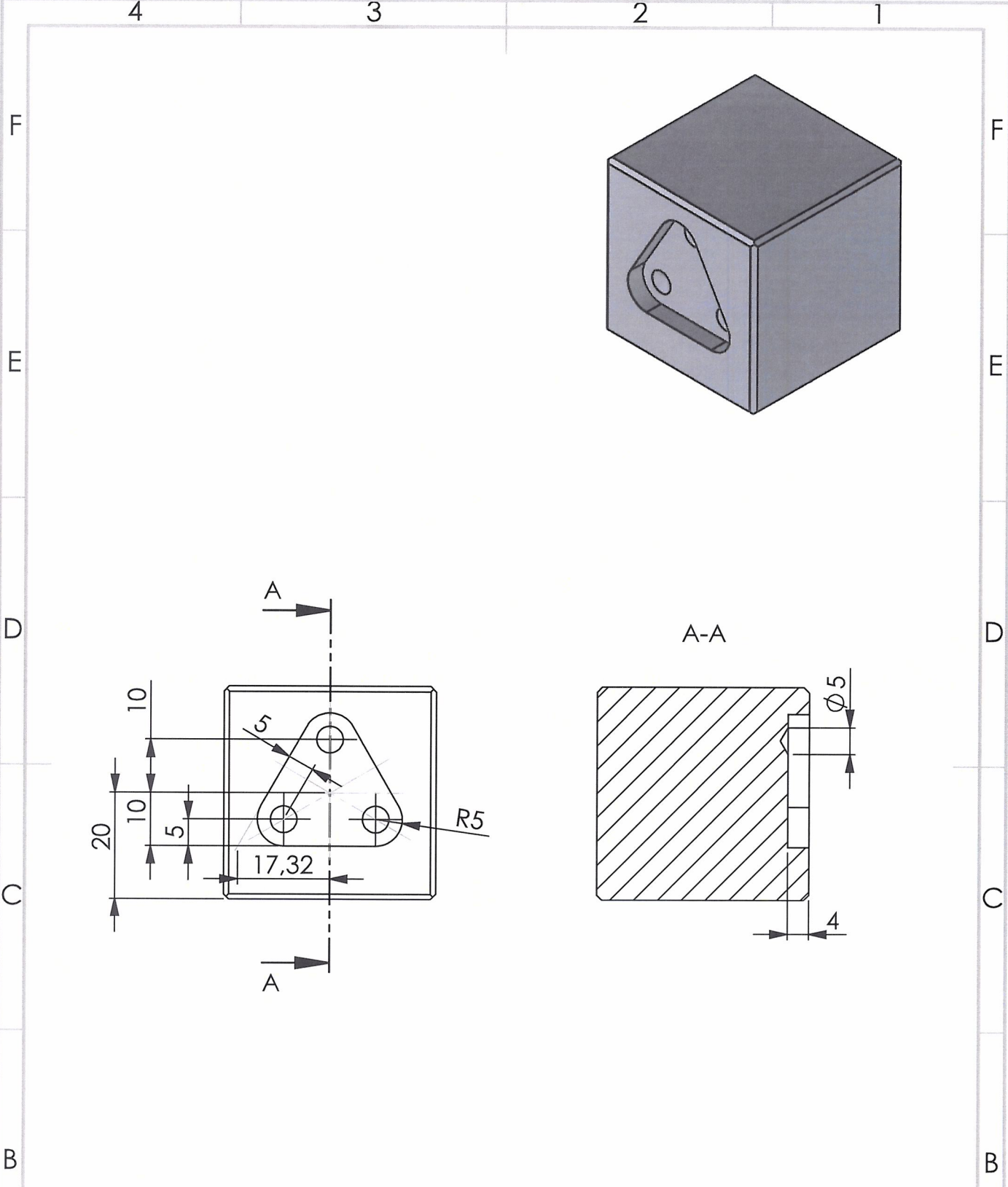
A

4

3

2

1



IF NO OTHER DEFINITIONS ARE GIVEN:
 MEASURES IN MILLIMETERS
 SURFACE STATE:
 TOLERANCES:
 LINEAR:
 ANGLE:

SURFACE QUALITY:

DEBURR AND BREAK THE SHARP EDGES

DO NOT SCALE THE DRAWING

MODIFICATION



	NAME	SIGNATUR	DATE		
DRAWN					
CONTROLLED					
APPROVED					
PRODUCTION					
QUALITY					
				MATERIAL: AlMgSi1	
				WEIGHT:	

NAME:
Project 4
Contour cube (4/7)

DRAWING NUMBER:
Konturwuerfel_3
 (thread bolt)

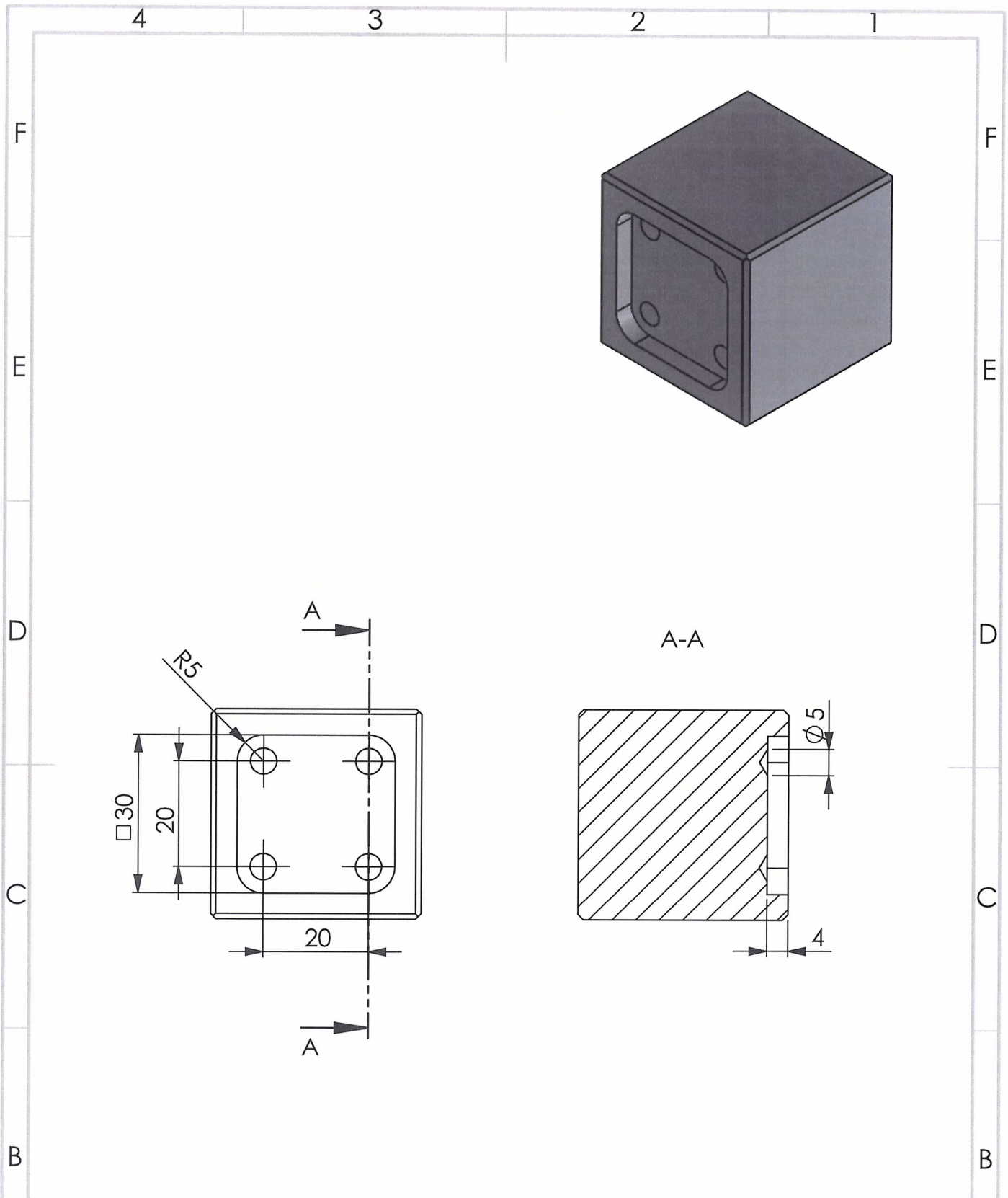
SCALE: 1:1

A4

SHEET 1 of 1

A

A



IF NO OTHER DEFINITIONS ARE GIVEN:
 MEASURES IN MILLIMETERS
 SURFACE STATE:
 TOLERANCES:
 LINEAR:
 ANGLE:

SURFACE QUALITY:

DEBURR AND BREAK THE SHARP EDGES

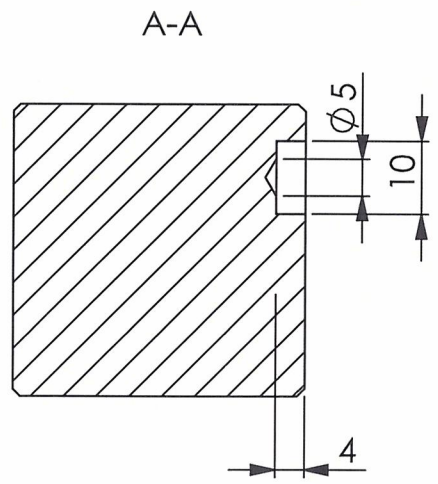
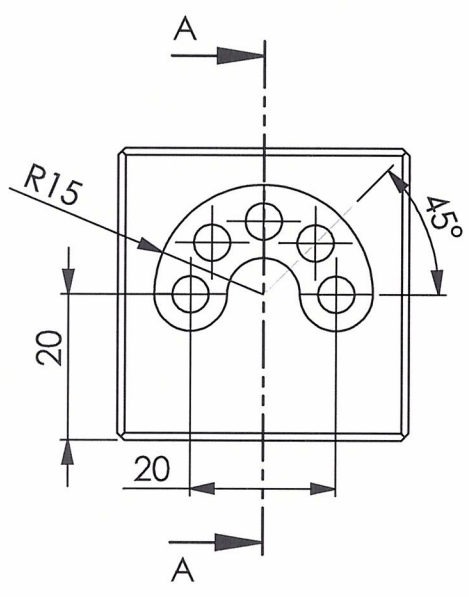
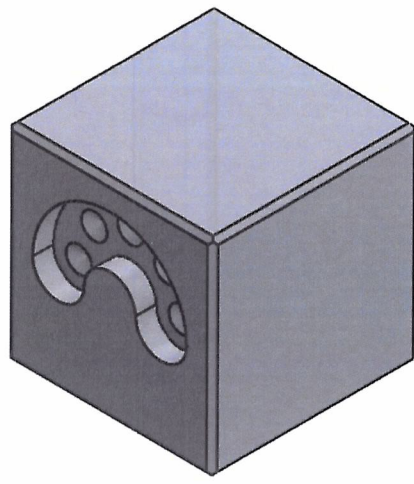
DO NOT SCALE THE DRAWING

MODIFICATION



	NAME	SIGNATUR	DATE		
DRAWN					
CONTROLLED					
APPROVED					
PRODUCTION					
QUALITY					
				MATERIAL: AlMgSi1	
				WEIGHT:	

NAME: Project 4 Contour cube (5/7)	
DRAWING NUMBER: Konturwuerfel_4 (thread bolt)	A4
SCALE: 1:1	SHEET 1 of 1

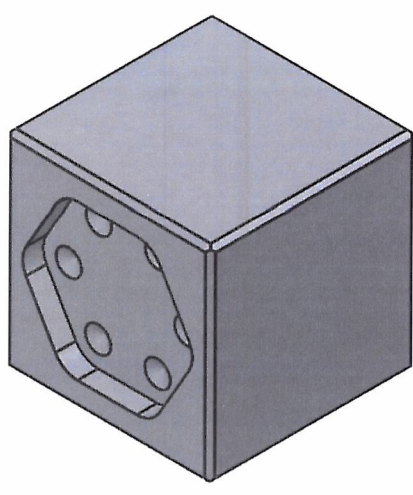


IF NO OTHER DEFINITIONS ARE GIVEN: MEASURES IN MILLIMETERS SURFACE STATE: TOLERANCES: LINEAR: ANGLE:		SURFACE QUALITY:		DEBURR AND BREAK THE SHARP EDGES		DO NOT SCALE THE DRAWING		MODIFICATION	
DRAWN		SIGNATUR		DATE		NAME:		Project 4 Contour cube (6/7)	
CONTROLLED						DRAWING NUMBER:		A4	
APPROVED						Konturwuerfel_5 (thread bolt)			
PRODUCTION						SCALE: 1:1		SHEET 1 of 1	
QUALITY				MATERIAL: AlMgSi1					
				WEIGHT:					

4 3 2 1

F

F

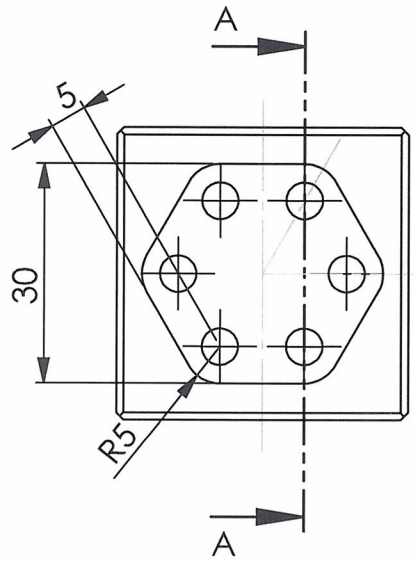


E

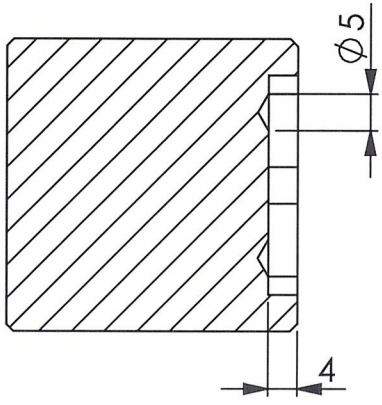
E

D

D



A-A



B

B

IF NO OTHER DEFINITIONS ARE GIVEN: MEASURES IN MILLIMETERS SURFACE STATE: TOLERANCES: LINEAR: ANGLE:		SURFACE QUALITY:		DEBURR AND BREAK THE SHARP EDGES		DO NOT SCALE THE DRAWING		MODIFICATION	
						NAME:		<p align="center">Project 4 Contour cube (7/7)</p>	
						DRAWING NUMBER:			
				MATERIAL: AlMgSi1		Konturwuerfel_6 (thread bolt)		A4	
				WEIGHT:		SCALE: 1:1		SHEET 1 of 1	

A

A

4 3 2 1