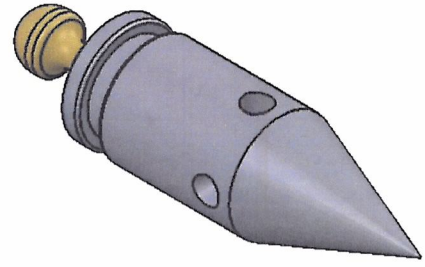


4 3 2 1

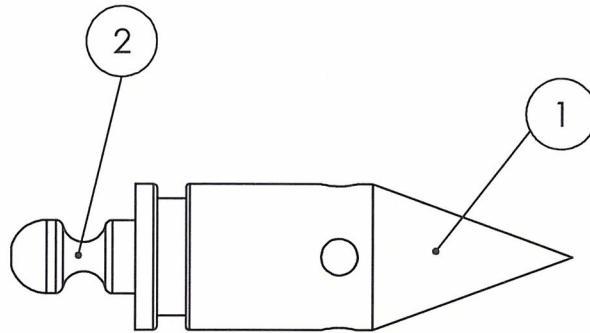
F

F



E

E



D

D

C

C

POS-NR.	BENENNUNG	BESCHREIBUNG	MENGE
1	Grundkörper_2		1
2	Hohlschraube_2		1

B

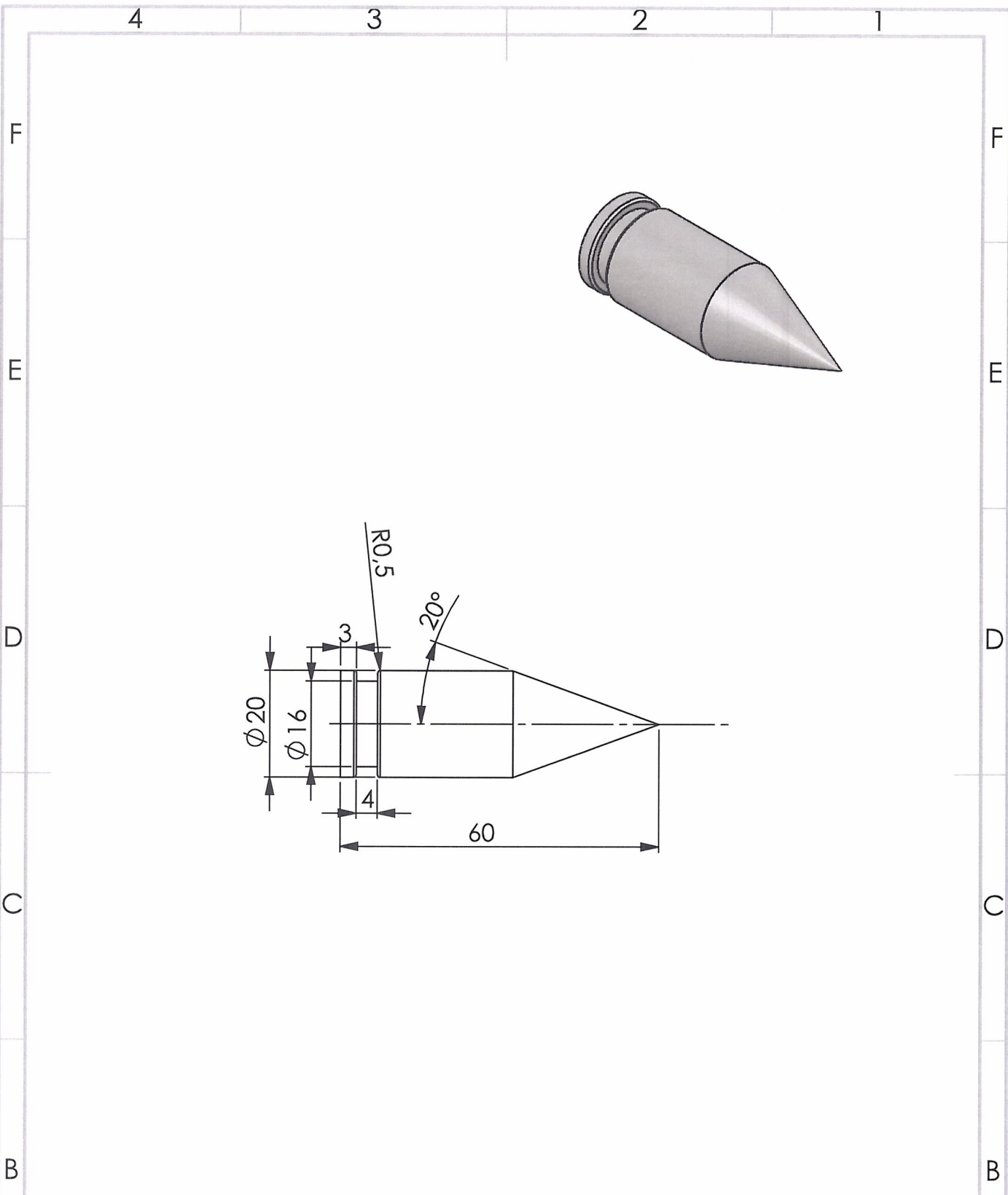
B



IF NO OTHER DEFINITIONS ARE GIVEN: MEASURES IN MILLIMETERS SURFACE STATE: TOLERANCES: LINEAR: ANGLE:		SURFACE QUALITY:		DEBURR AND BREAK THE SHARP EDGES		DO NOT SCALE THE DRAWING		MODIFICATION	
						NAME:		<h2 style="text-align: center;">Project 1</h2> <h3 style="text-align: center;">Easy Lot (1/5)</h3>	
DRAWN		SIGNATUR		DATE		DRAWING NUMBER:			
CONTROLLED						Baugruppe_Lot		A4	
APPROVED						SCALE: 1:1		SHEET 1 of 1	
PRODUCTION									
QUALITY				MATERIAL: AlMgSi1					
				WEIGHT:					

A

A

4 3 2 1



IF NO OTHER DEFINITIONS ARE GIVEN: MEASURES IN MILLIMETERS SURFACE STATE: TOLERANCES: LINEAR: ANGLE:		SURFACE QUALITY:		DEBURR AND BREAK THE SHARP EDGES		DO NOT SCALE THE DRAWING		MODIFICATION	
						 			
NAME:	Project 1 Easy Lot (2/5)								
DRAWN	NAME	SIGNATUR	DATE			DRAWING NUMBER:		A4	
CONTROLLED						Grundkörper_1			
APPROVED						SCALE: 1:1		SHEET 1 of 1	
PRODUCTION				MATERIAL: AlMgSi1					
QUALITY				WEIGHT:					

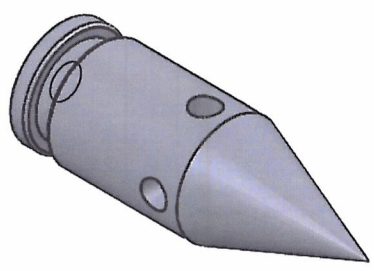
A

A

4 3 2 1

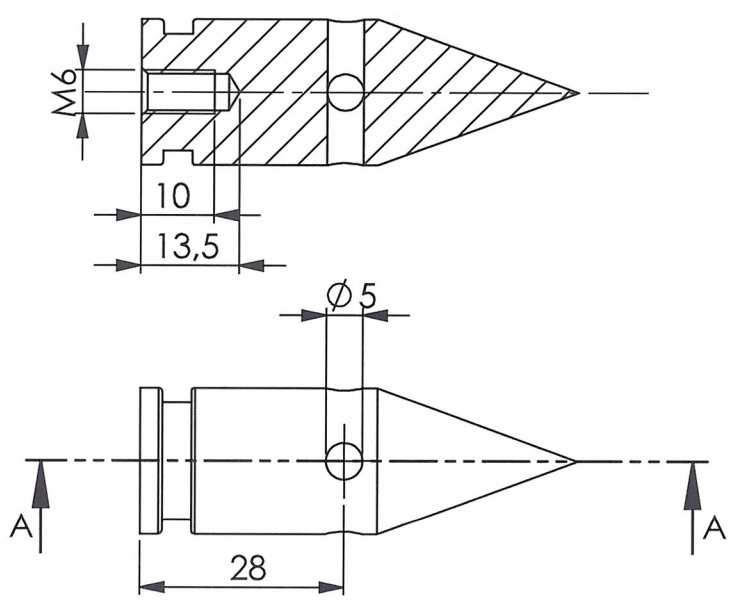
4 3 2 1

F F



E E

A-A



D D

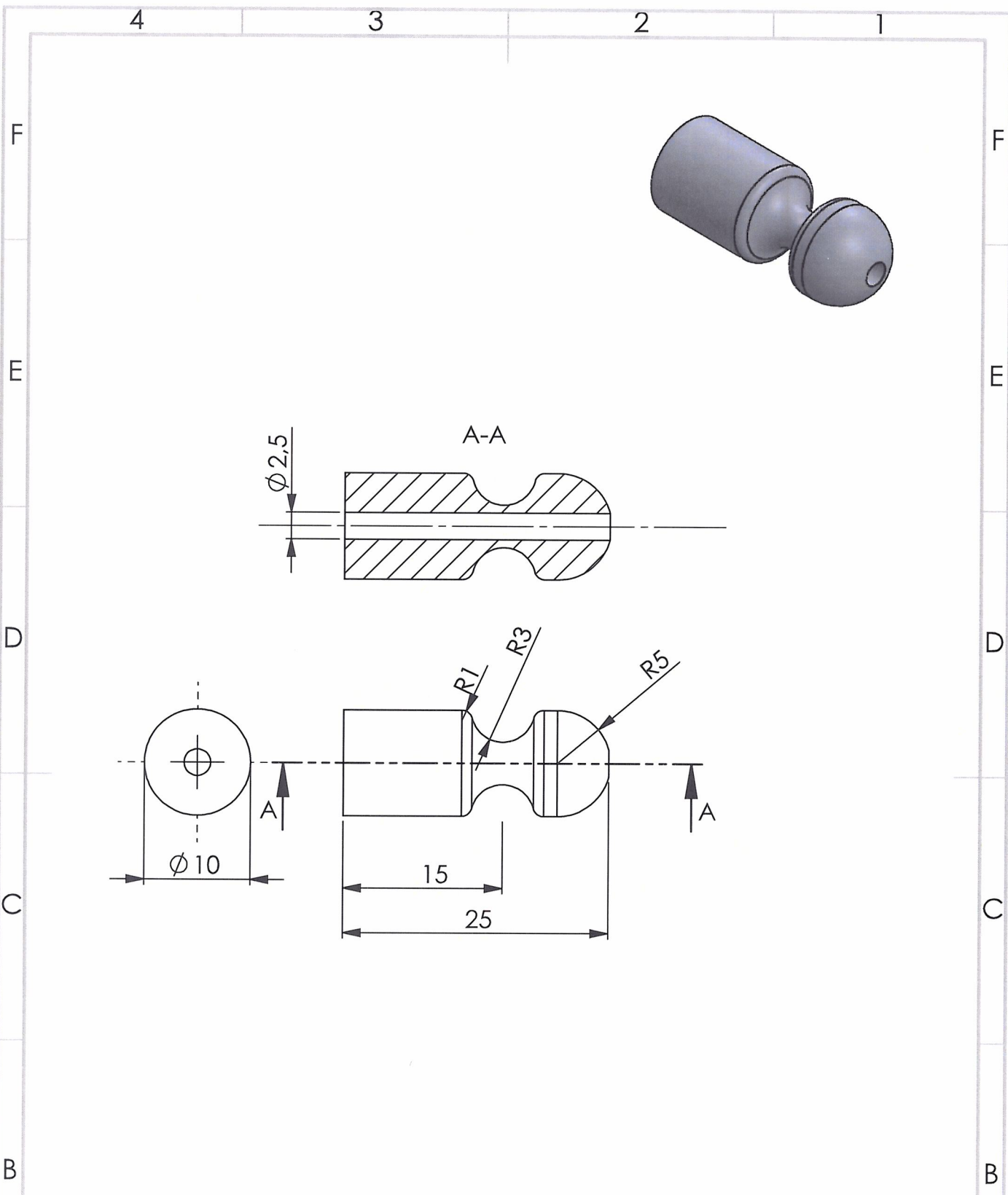
C C

B B

IF NO OTHER DEFINITIONS ARE GIVEN: MEASURES IN MILLIMETERS SURFACE STATE: TOLERANCES: LINEAR: ANGLE:		SURFACE QUALITY:		DEBURR AND BREAK THE SHARP EDGES		DO NOT SCALE THE DRAWING		MODIFICATION	
NAME:	Project 1 Easy Lot (3/5)								
DRAWN	NAME	SIGNATUR	DATE						
CONTROLLED									
APPROVED									
PRODUCTION									
QUALITY				MATERIAL: AlMgSi1		DRAWING NUMBER: Grundkörper_2		A4	
				WEIGHT:		SCALE: 1:1		SHEET 1 of 1	

A A

4 3 2 1



IF NO OTHER DEFINITIONS ARE GIVEN: MEASURES IN MILLIMETERS SURFACE STATE: TOLERANCES: LINEAR: ANGLE:		SURFACE QUALITY:		DEBURR AND BREAK THE SHARP EDGES		DO NOT SCALE THE DRAWING		MODIFICATION	
NAME:	Project 1 Easy Lot (4/5)								
DRAWN	NAME	SIGNATUR	DATE						
CONTROLLED									
APPROVED									
PRODUCTION									
QUALITY									
				MATERIAL: AlMgSi1		DRAWING NUMBER: Hohlschraube_1		A4	
				WEIGHT:		SCALE: 1:1		SHEET 1 of 1	

A

A

4

3

2

1

F

F

E

E

D

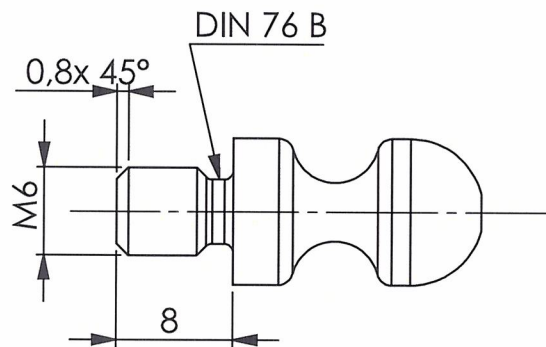
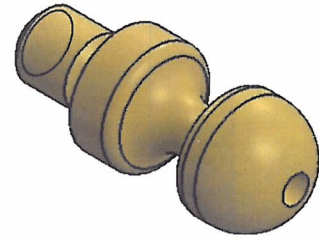
D

C

C

B

B



IF NO OTHER DEFINITIONS ARE GIVEN: MEASURES IN MILLIMETERS SURFACE STATE: TOLERANCES: LINEAR: ANGLE:		SURFACE QUALITY:		DEBURR AND BREAK THE SHARP EDGES		DO NOT SCALE THE DRAWING		MODIFICATION	
NAME:	Project 1 Easy Lot (5/5)								
DRAWN	NAME	SIGNATUR	DATE						
CONTROLLED									
APPROVED									
PRODUCTION									
QUALITY						MATERIAL: AlMgSi1	DRAWING NUMBER: Hohlschraube_2	A4	
						WEIGHT:	SCALE: 1:1	SHEET 1 of 1	

4

3

2

1

A

A