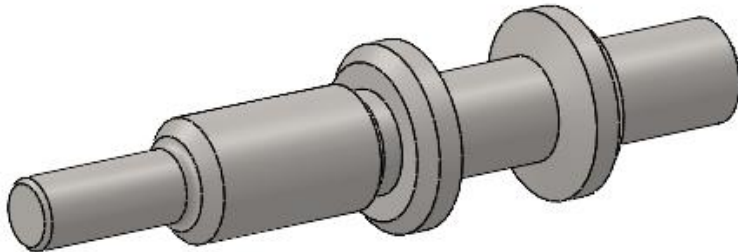
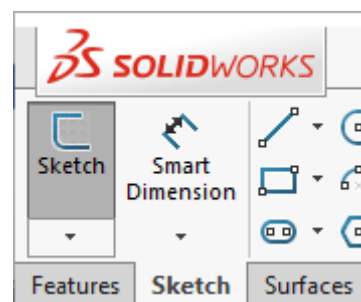
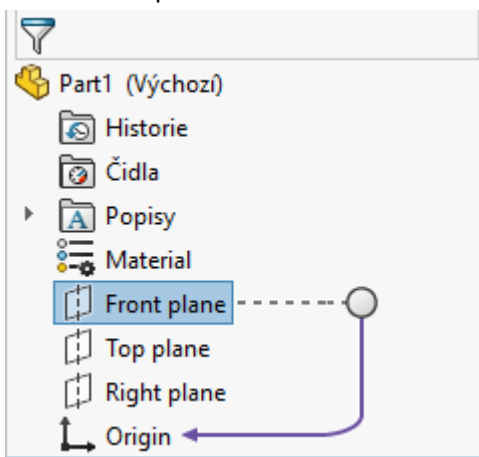


## Winding shaft



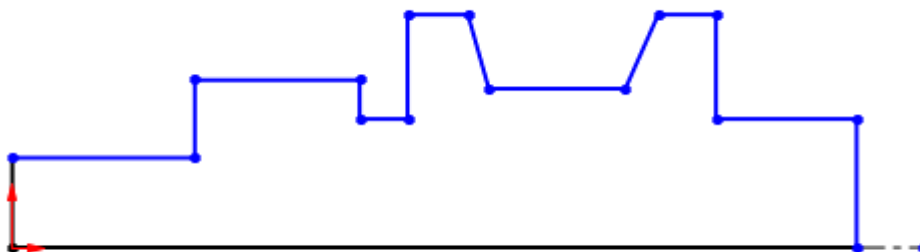
1. Open New File - Part
2. Select Front plane and Sketch



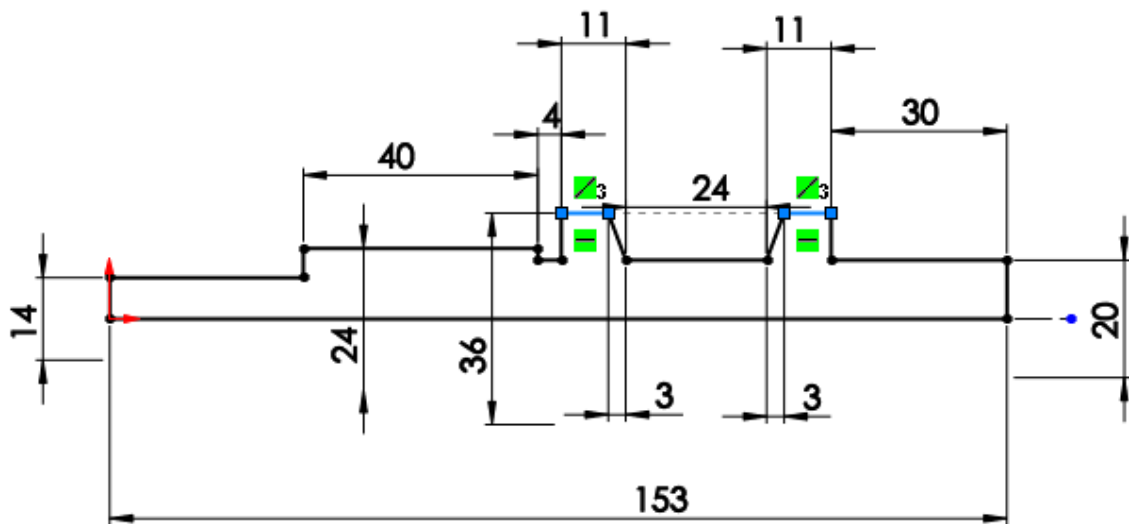
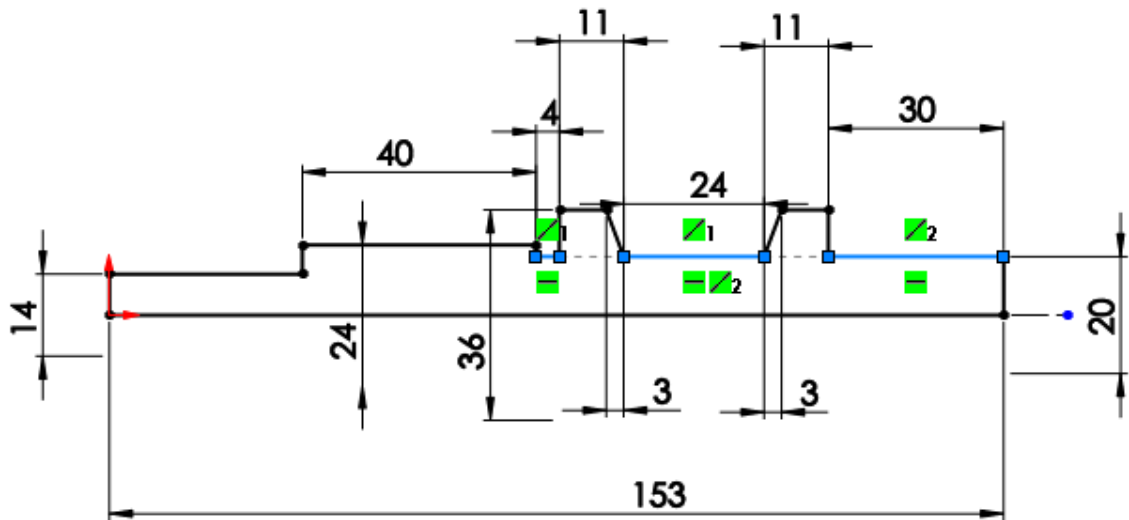
3. Draw the axis from the Origin point



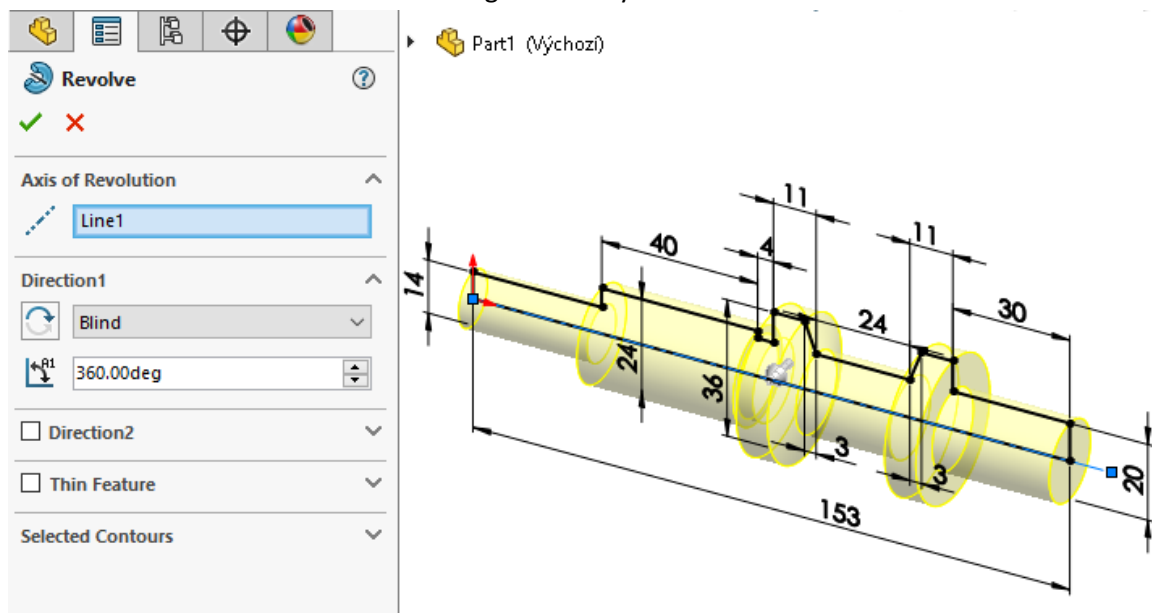
4. Draw the contour edges



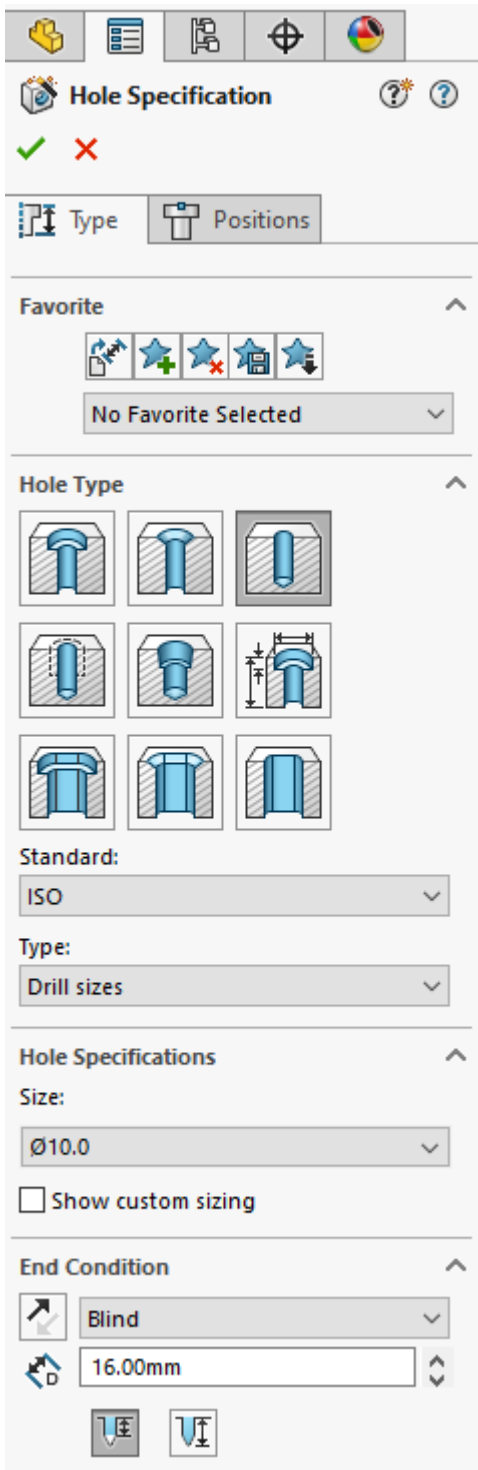
5. Create dimensions of the elements and assign Collinear Snap to the appropriate edges



6. Exit the sketch and make a Revolve along the axis by 360°



7. Run the Hole Wizard. Set the required hole type, standard, and hole size



**Hole Specification**

✓ ✗

Type Positions

Favorite

No Favorite Selected

Hole Type

Standard: ISO

Type: Drill sizes

Hole Specifications

Size: Ø10.0

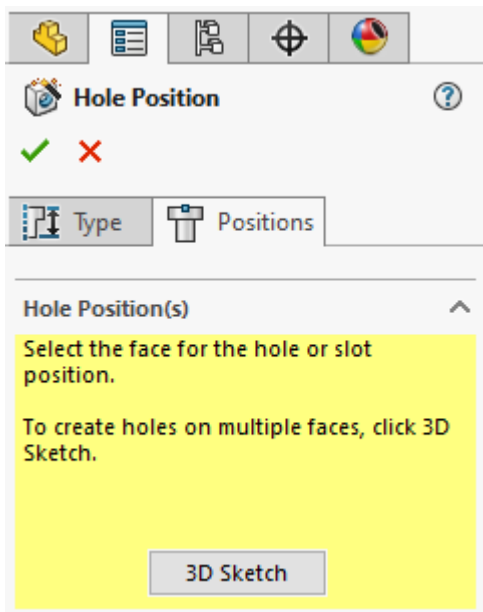
Show custom sizing

End Condition

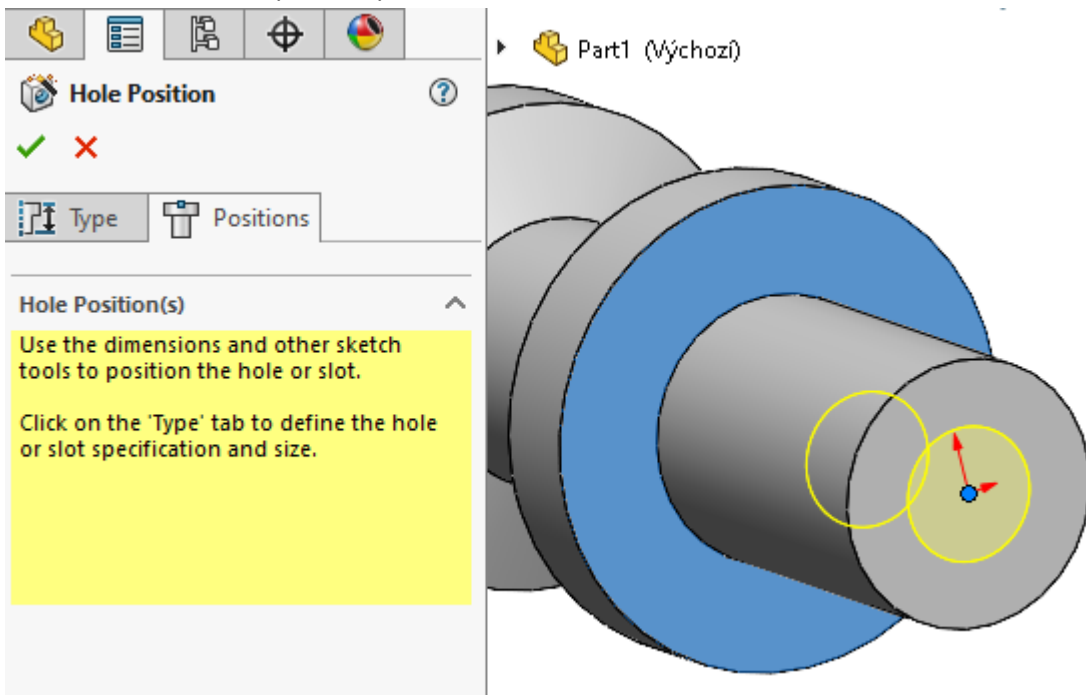
Blind

16.00mm

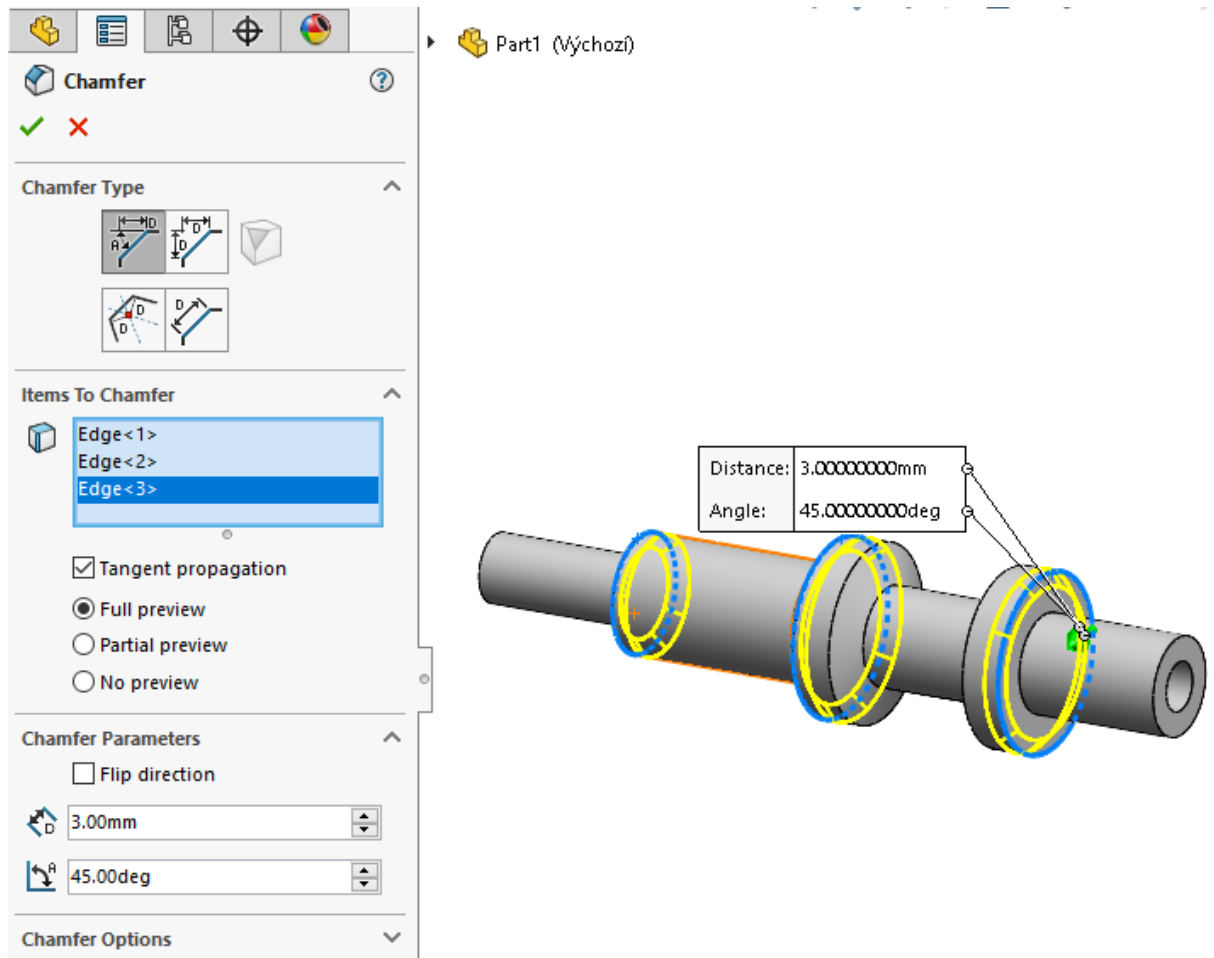
8. Switch to the Positions tab



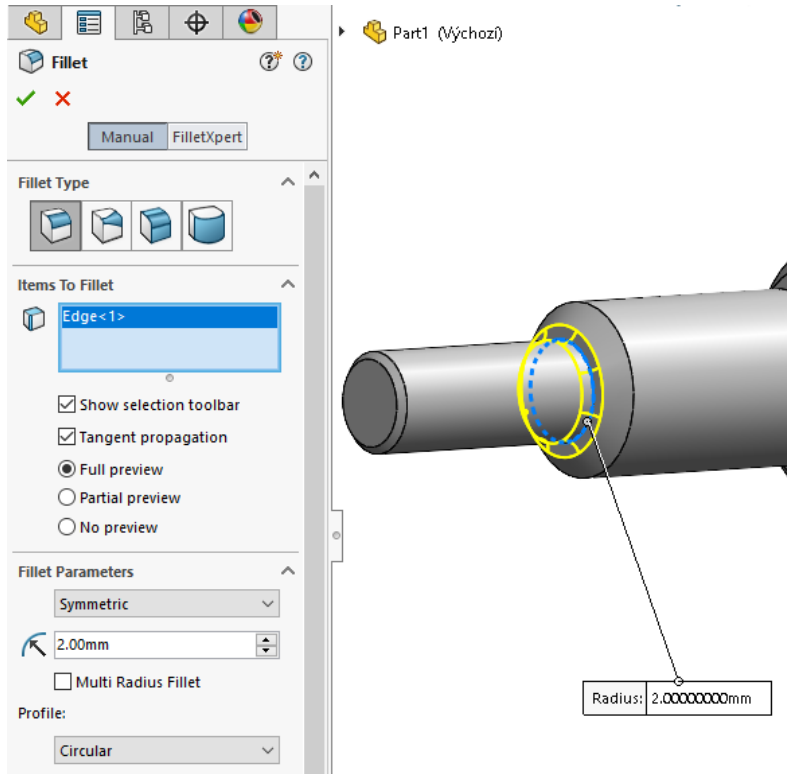
9. Select the surface and point to place the hole. Confirm hole creation



10. Create 4x chamfer with Chamfer command on appropriate edges (0.7x45 °; 1x45 °; 2x45 °; 3x45 °)



11. Create 2x radius with the Fillet command to the appropriate edge (R2; R3)



12. Save - The part is done

