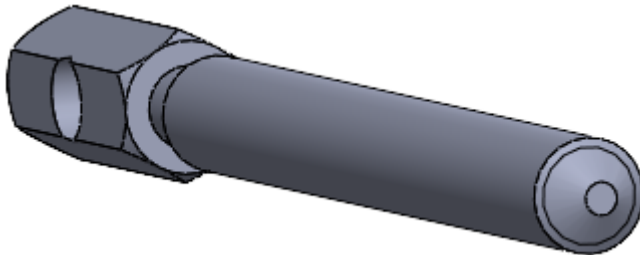
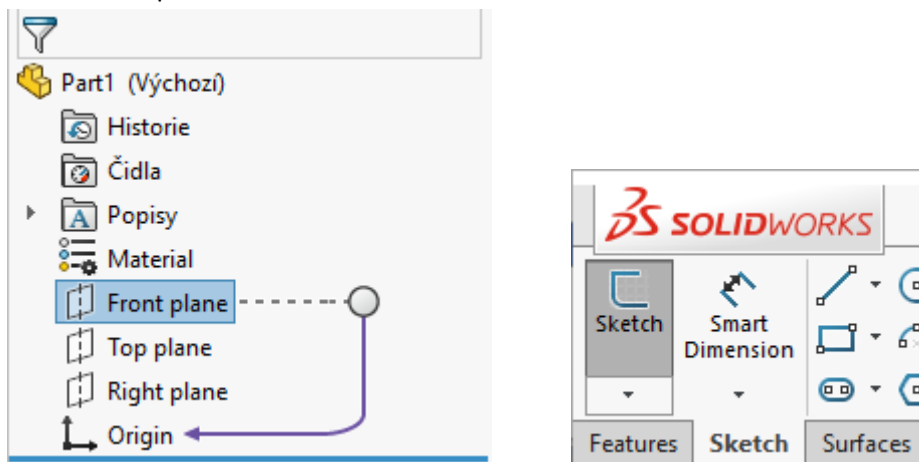


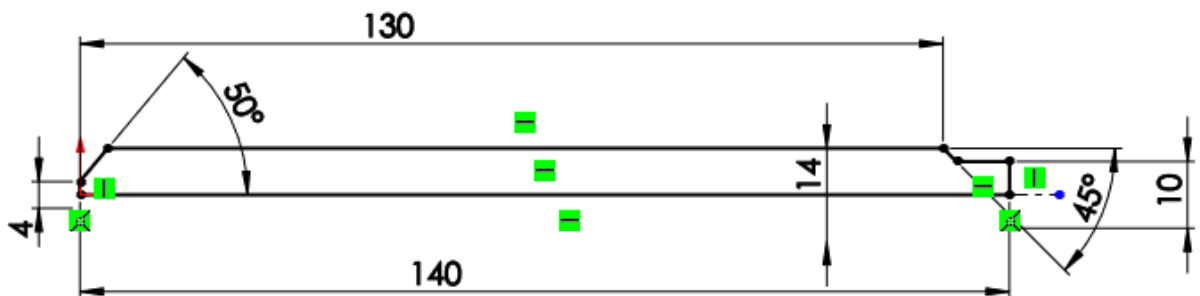
## Threaded rod



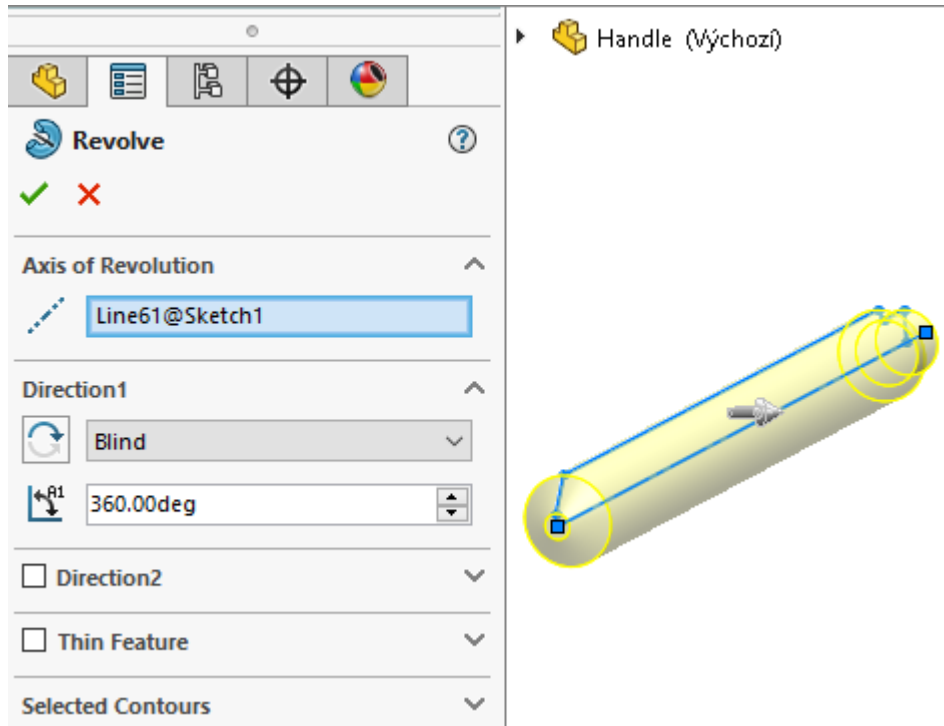
1. Open New File - Part
2. Select Front plane and Sketch



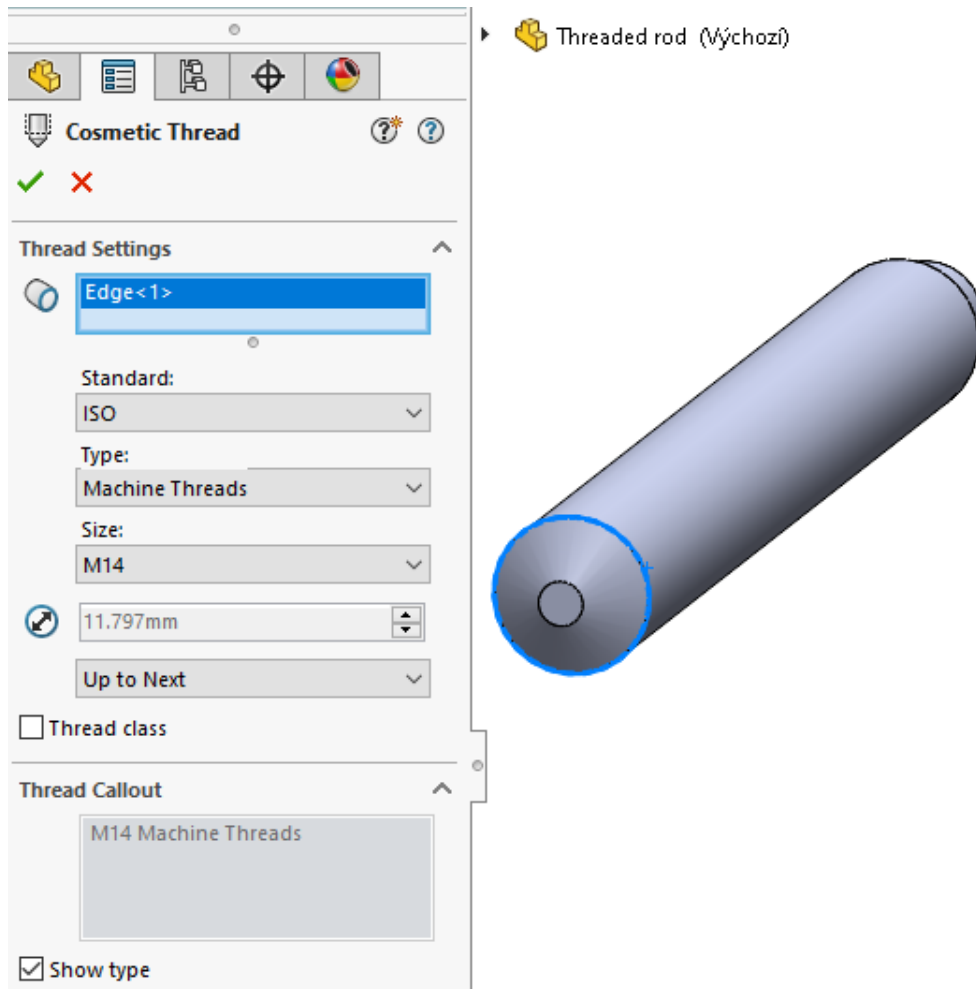
3. Draw the contour edges and the axis. Assign bindings and create dimension.



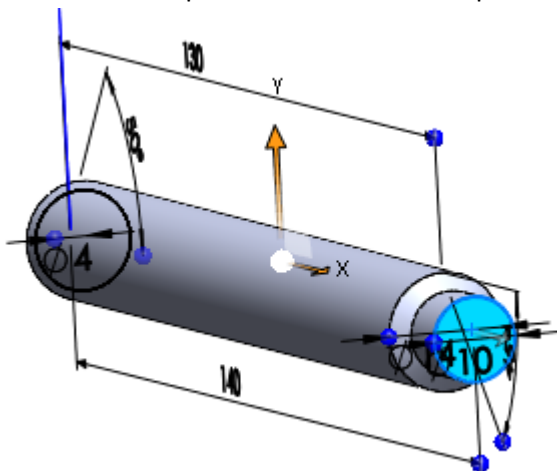
4. Add 360 ° rotations.



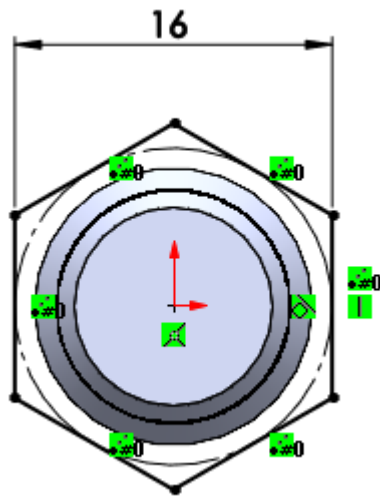
5. Create an M14 cosmetic thread.



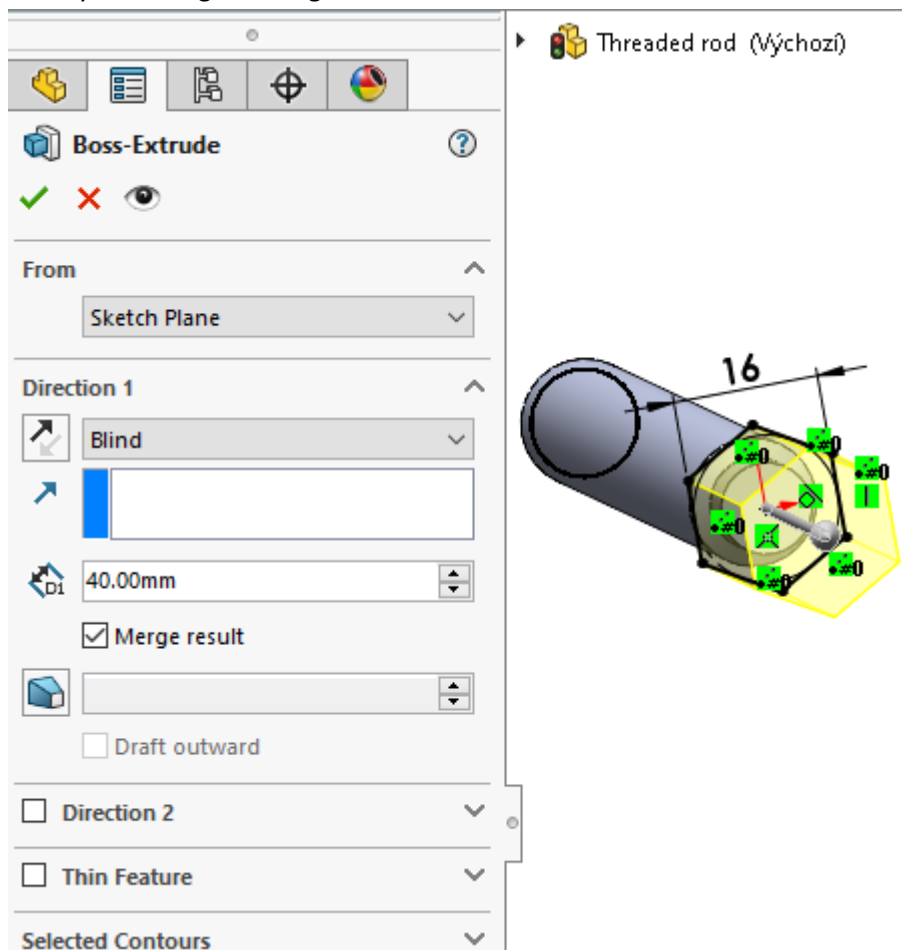
6. Select the front plane on the model and place a new sketch on it.



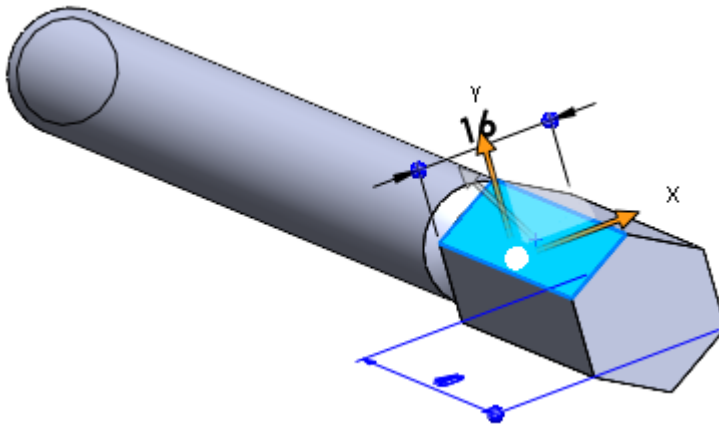
7. Draw a hexagon. Assign the bindings and create dimensions.



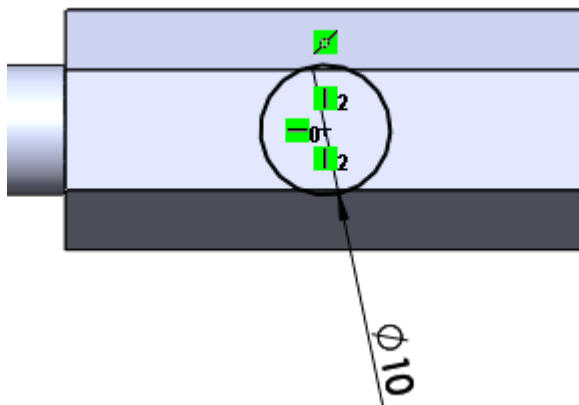
8. Add by extruding to a height of 40 mm.



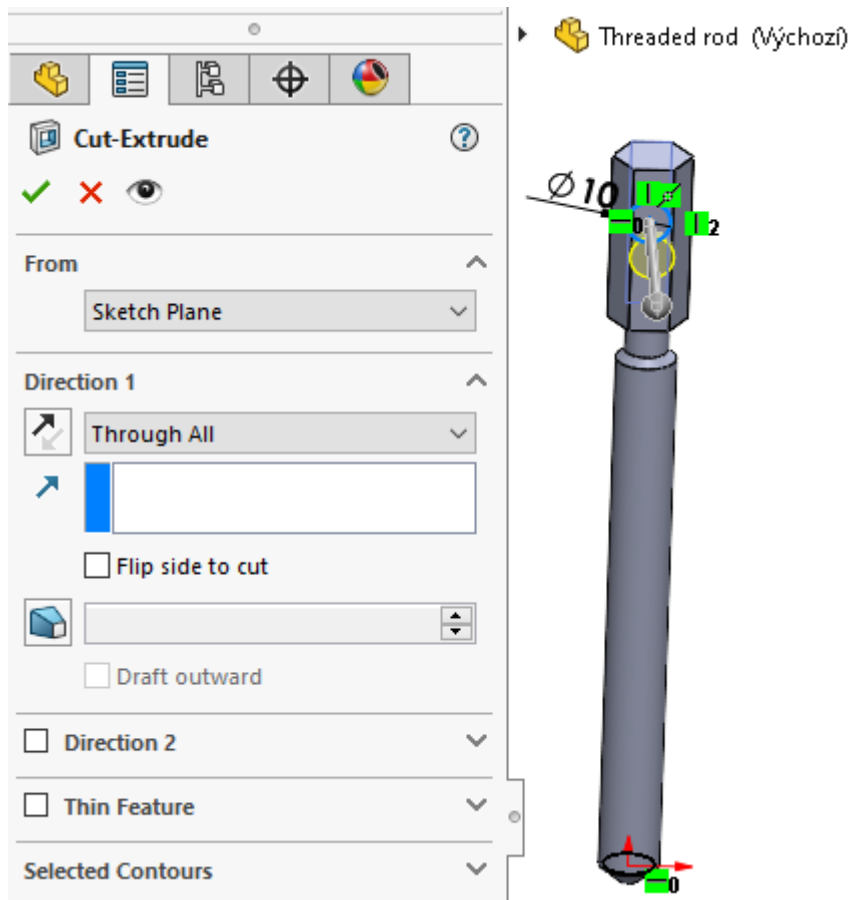
9. Select the side plane on the model and place a new sketch on it.



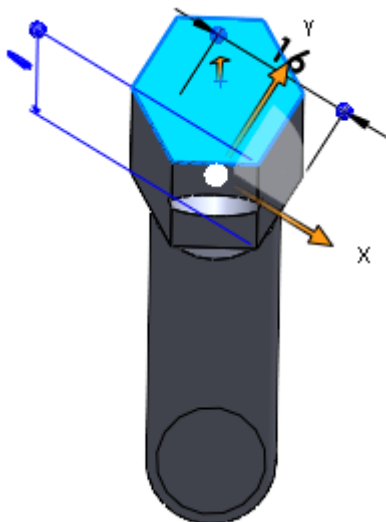
10. Draw a circle. Assign bindings and dimension.



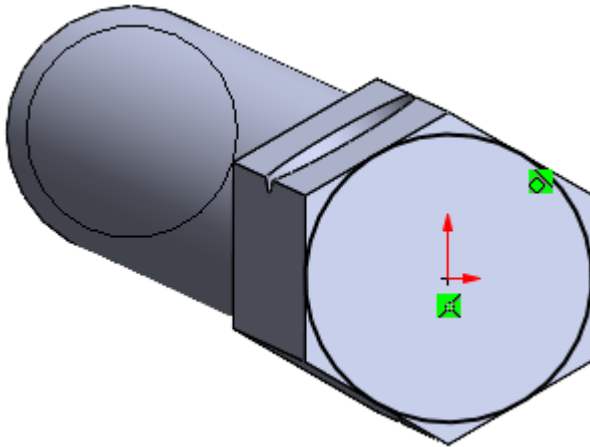
11. Make removal by extruding through all.



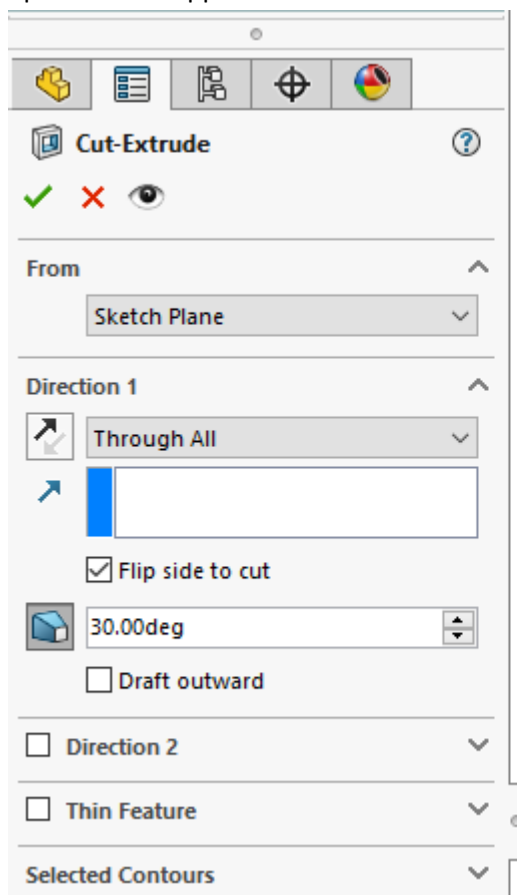
12. Select the top plane on the model and place a new sketch on it.




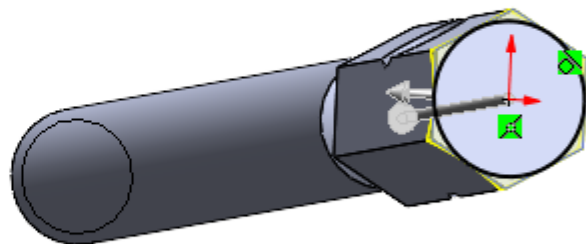
13. Draw a circle. Assign a tangency constraint.



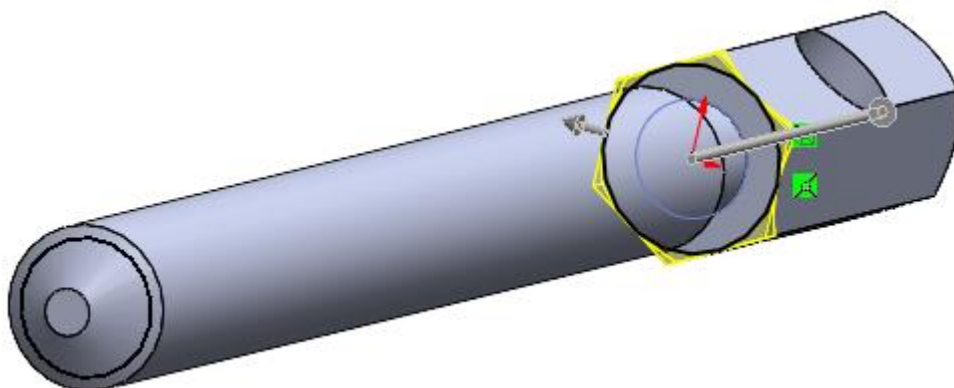
14. Create removal by extruding through everything at an angle of 30 °. Turn on the removal option to the opposite side.



▶  Threaded rod (Výchozí)



15. Perform the same operation on the other side of the hexagon.



16. Save - The part is done.

