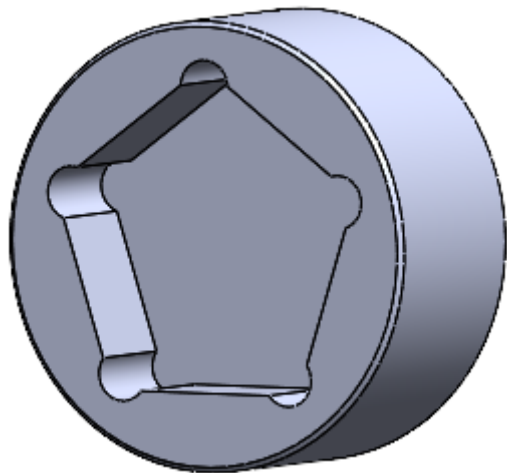
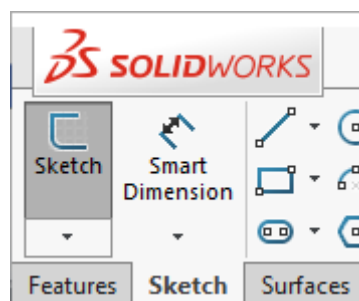
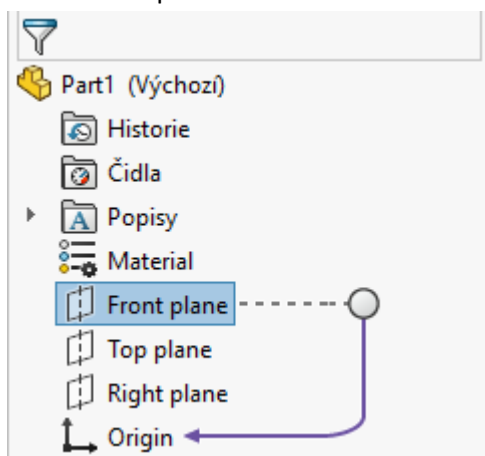


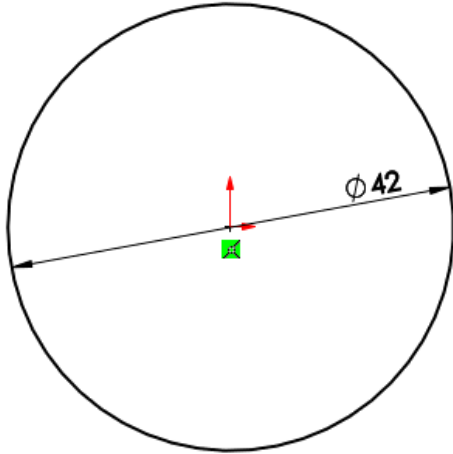
Socket wrench



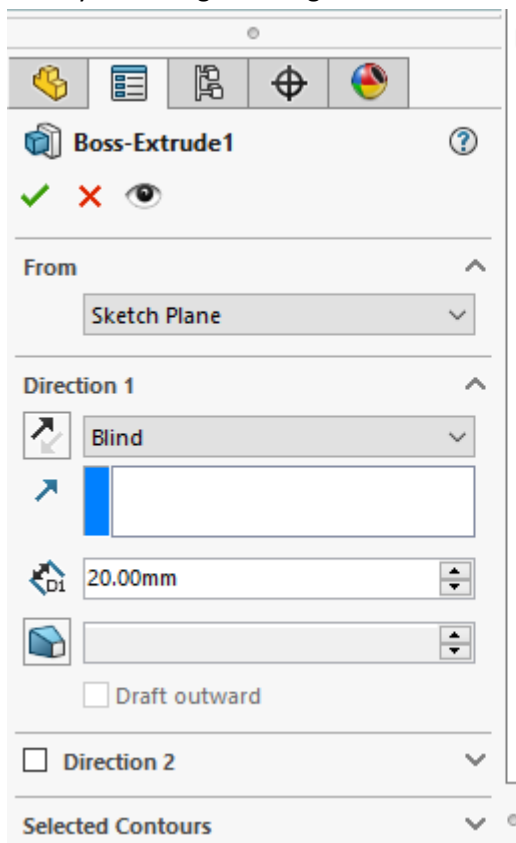
1. Open New File - Part
2. Select Front plane and Sketch




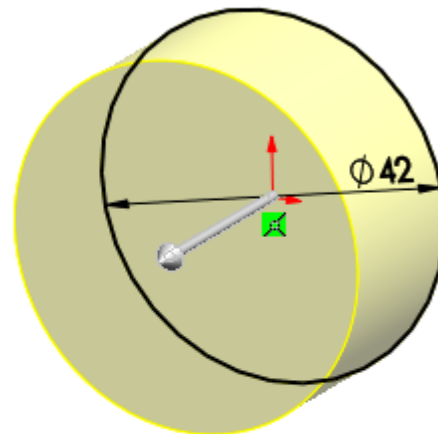
3. Draw a circle and create dimensions.



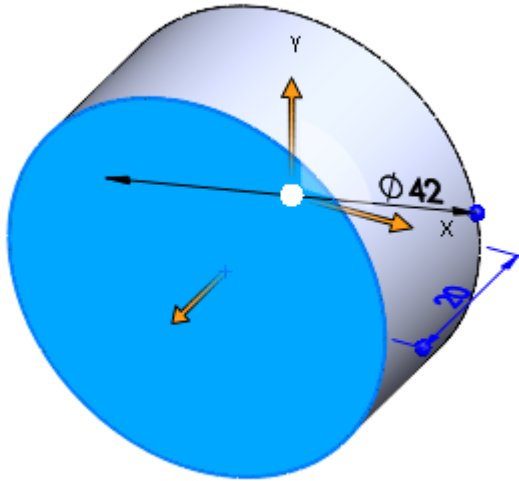
4. Add by extruding to a height of 20 mm.



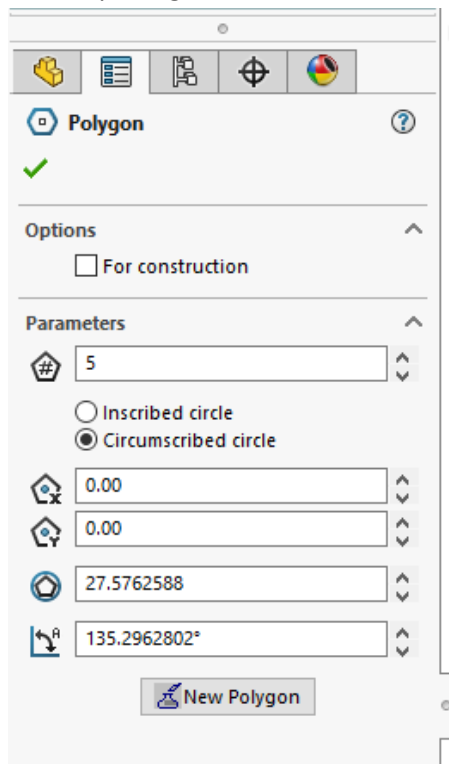
▶  Socket Wrench (Výchozí)



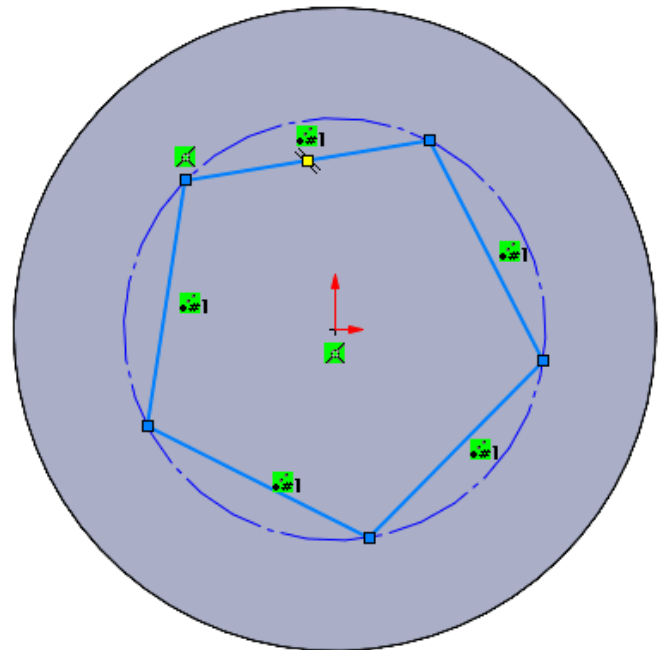
5. Select the top surface on the model and enter a new sketch.



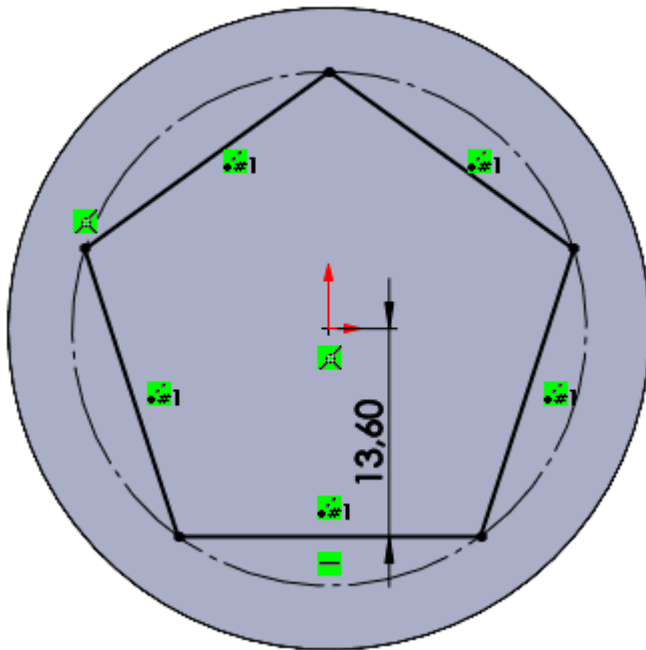
6. Draw a pentagon with a circumscribed circle.



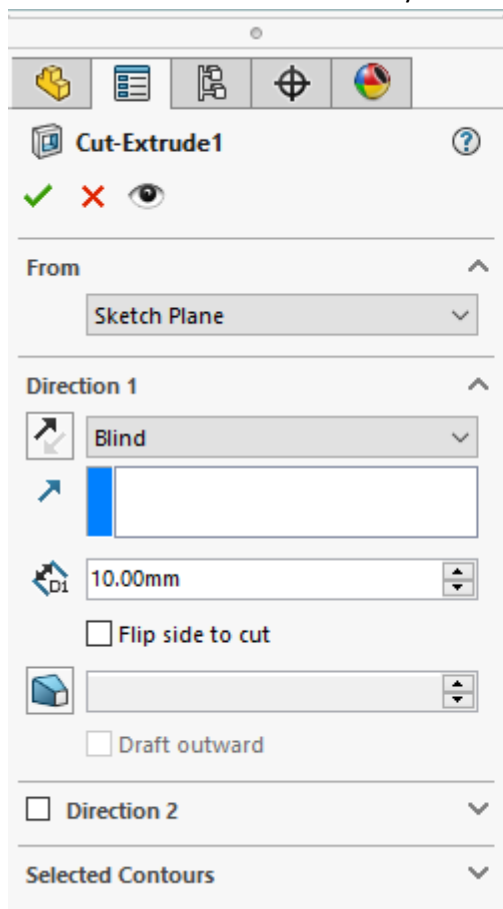
Socket Wrench (Výchozí)




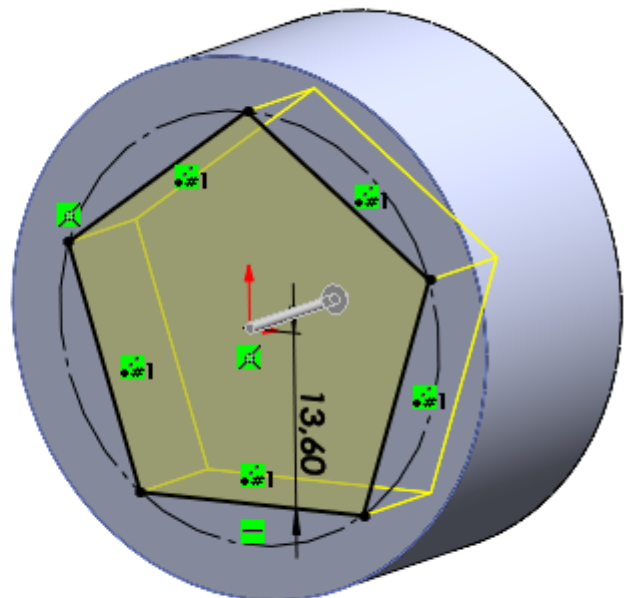
7. Create dimensions and add an anti-rotation constraint.



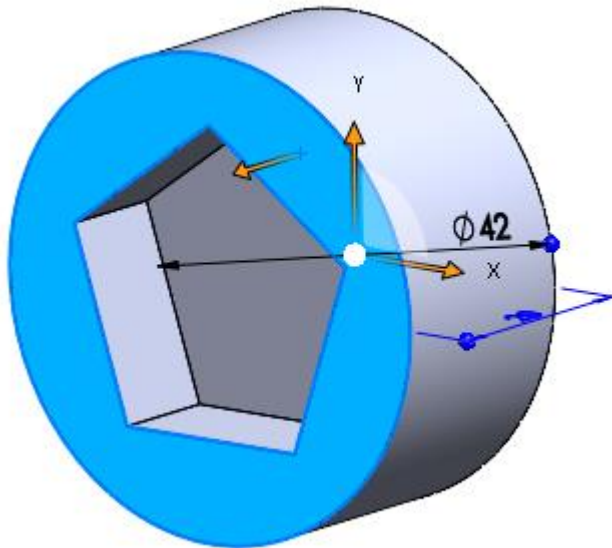
8. Finish the sketch and remove it by extruding to a depth of 10 mm.



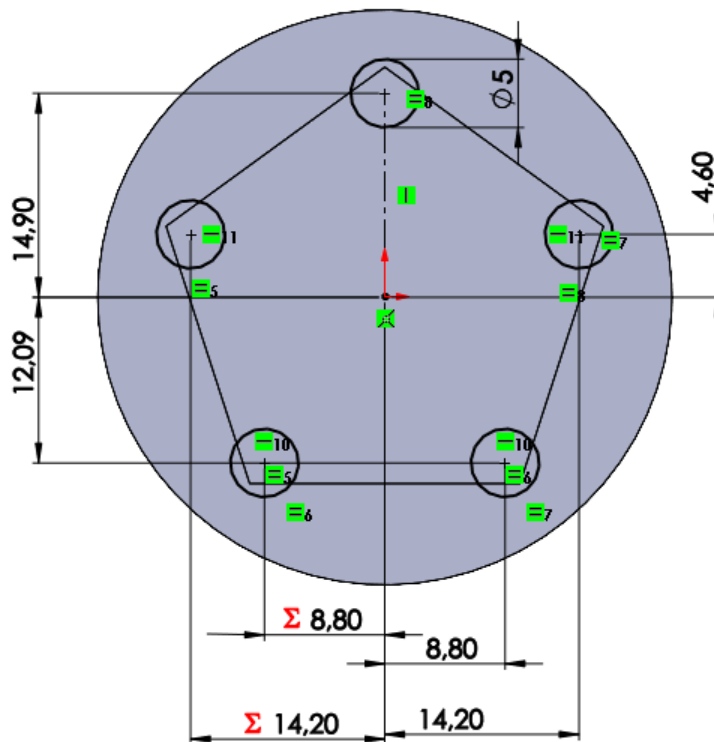
▶  Socket Wrench (Výchozí)



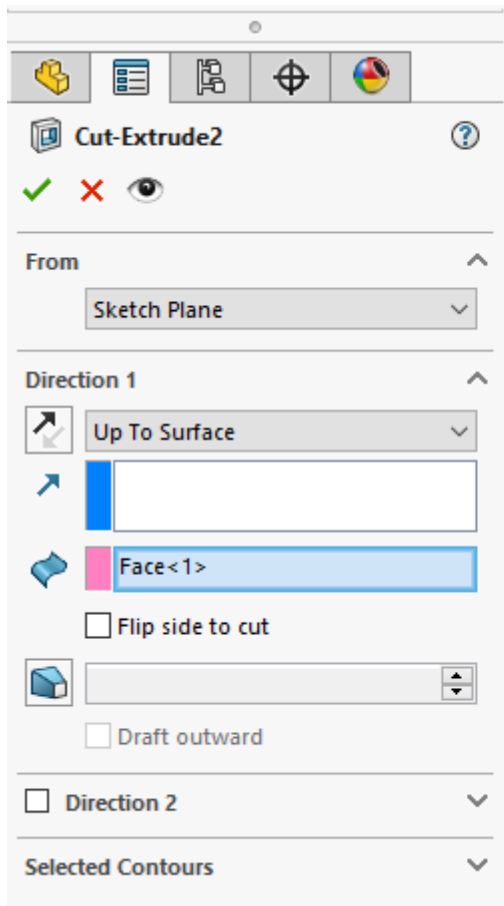
9. Select the top surface on the model and enter a new sketch.



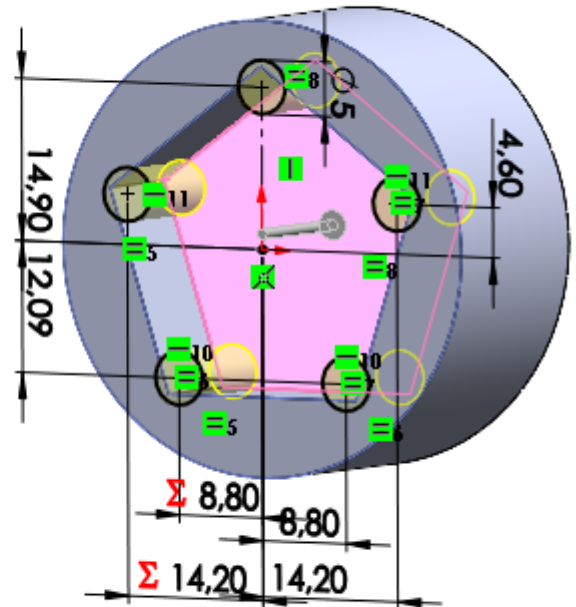
10. Draw five circles. Add bondings and create dimensions.



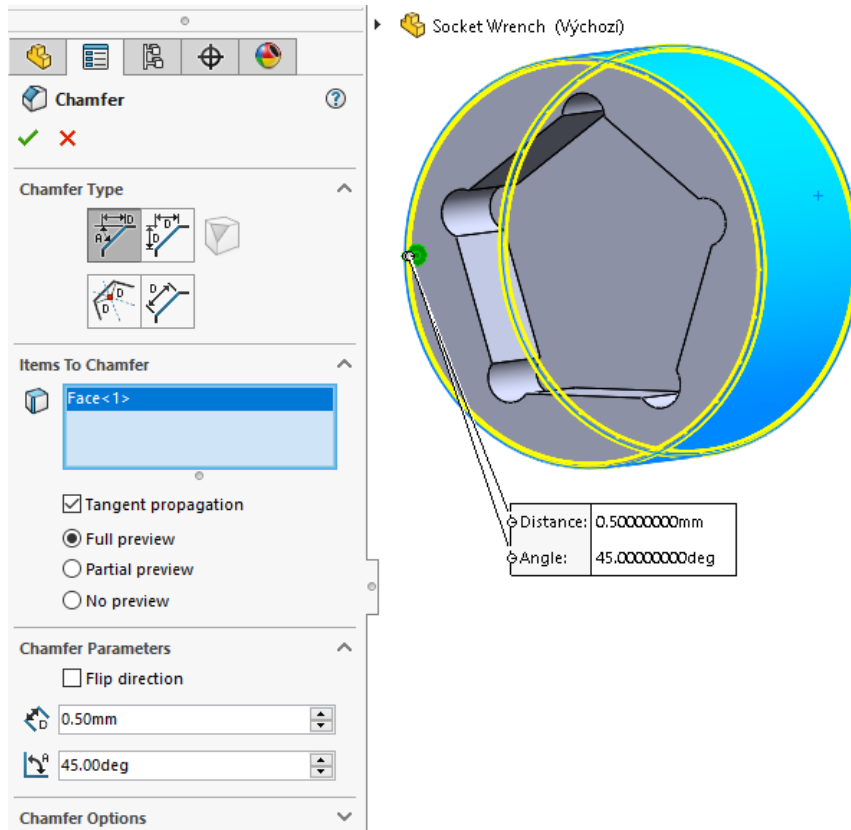
11. Finish the sketch and remove it by extruding it up to the surface.



Socket Wrench (Výchozí)



12. Create a chamfer of 0.5x45 °.



13. Save - The part is done.

