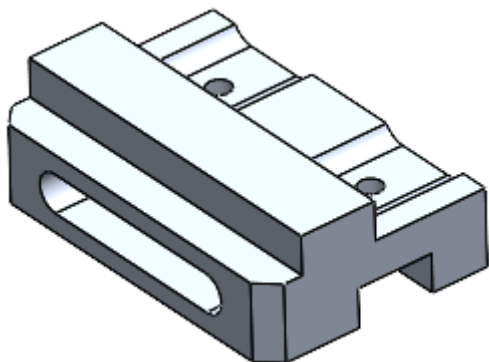
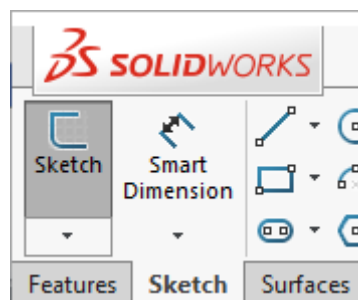
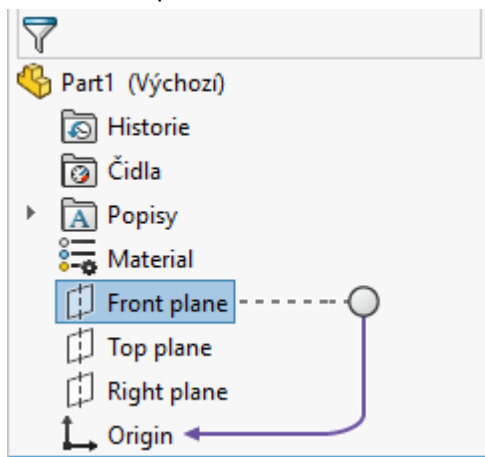


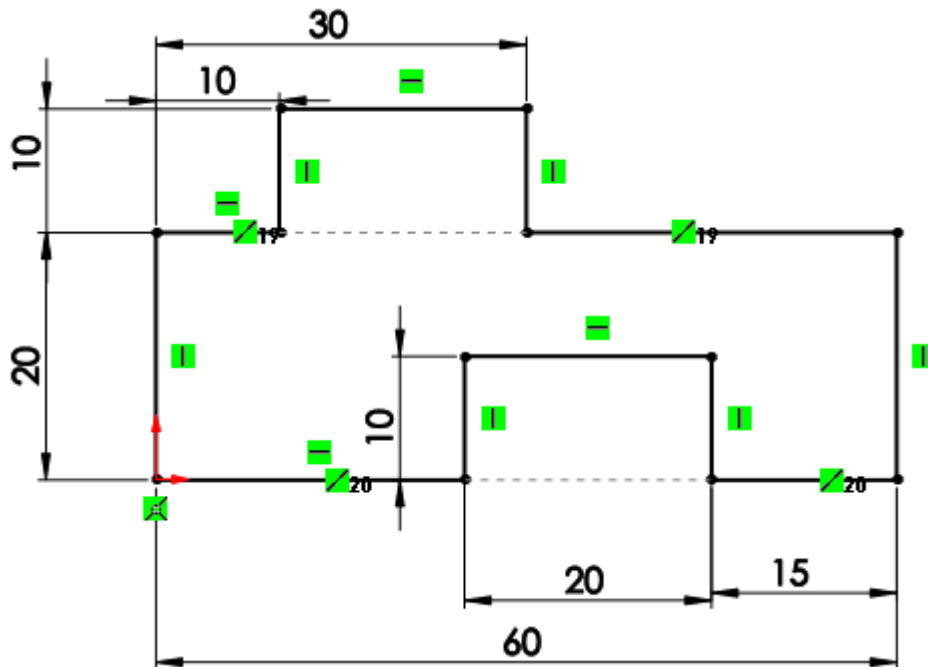
Jaw



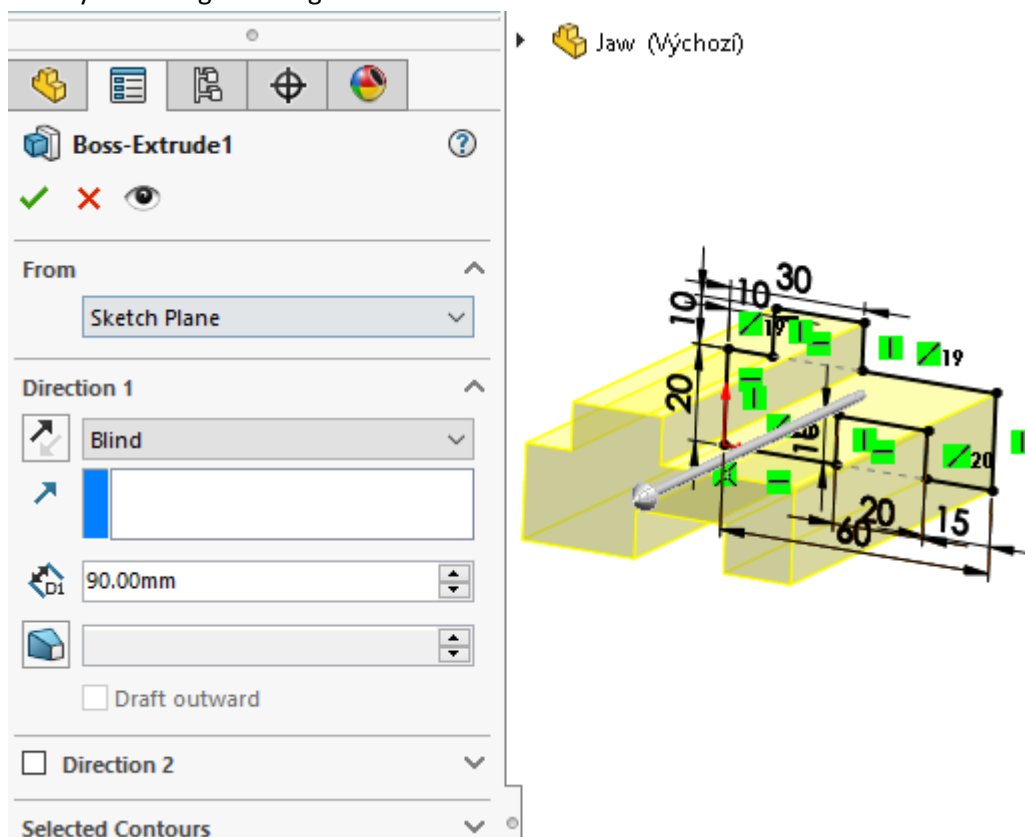
1. Open New File - Part
2. Select Front plane and Sketch



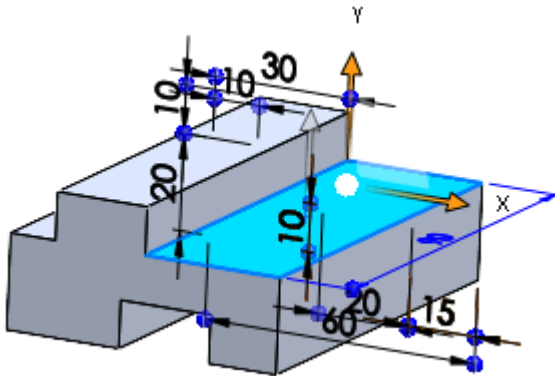
3. Draw the contour edges. Assign bindings and dimensions.



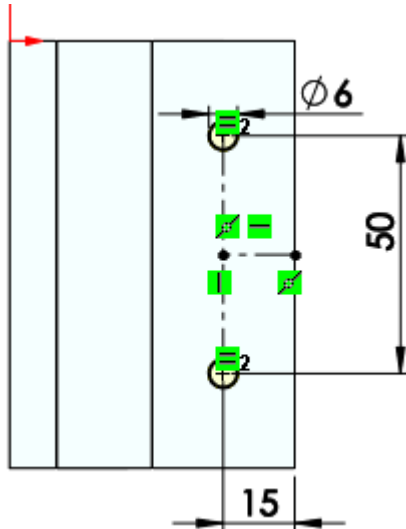
4. Add by extruding to a height of 90 mm.



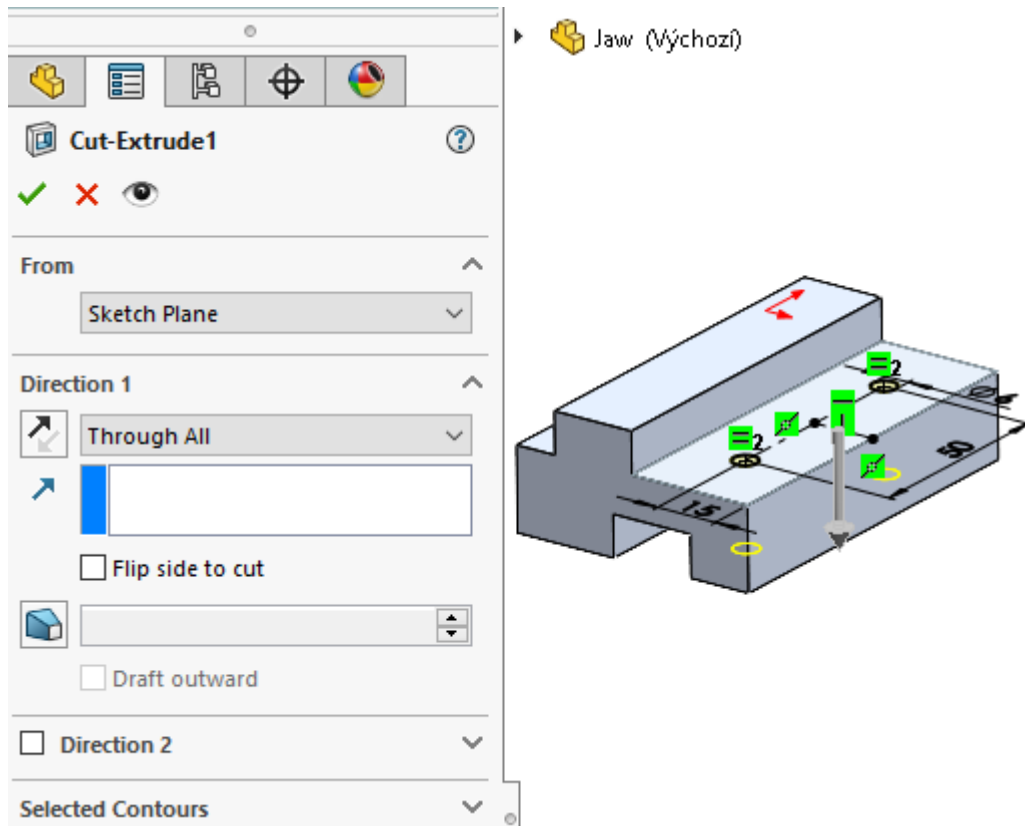
5. Select the top plane on the model and place a new sketch on it.



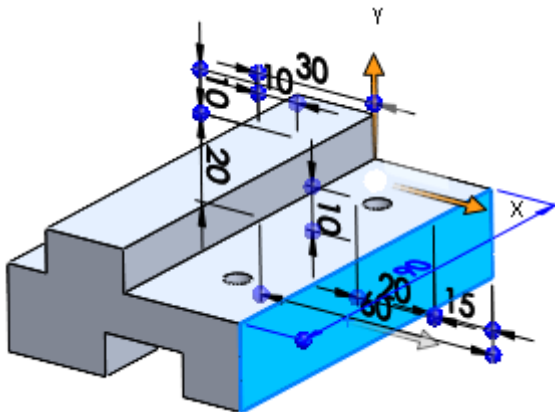
6. Draw circles and auxiliary axes. Assign bindings. Create dimensions.



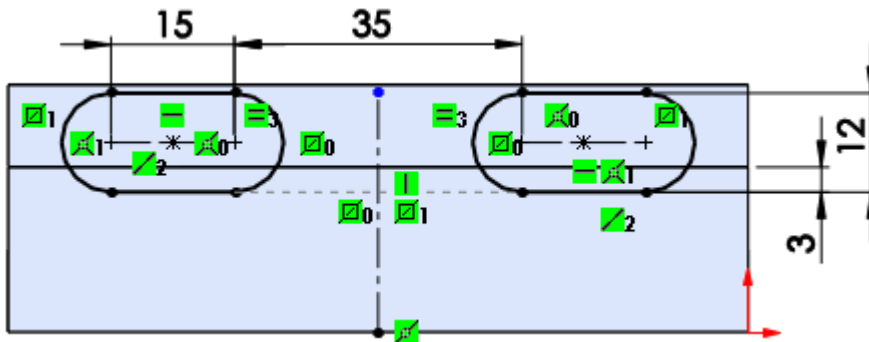
7. Perform removal by extruding through all.



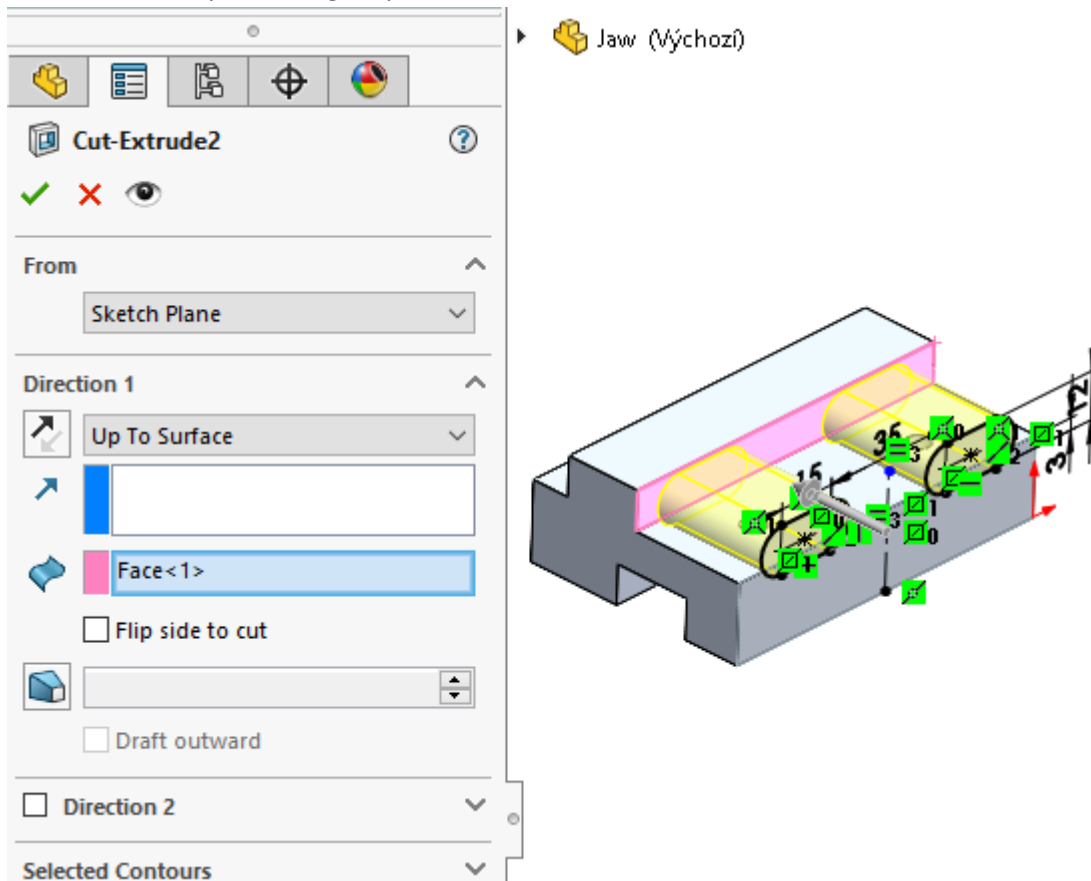
8. Select the front plane on the model and place a new sketch on it.



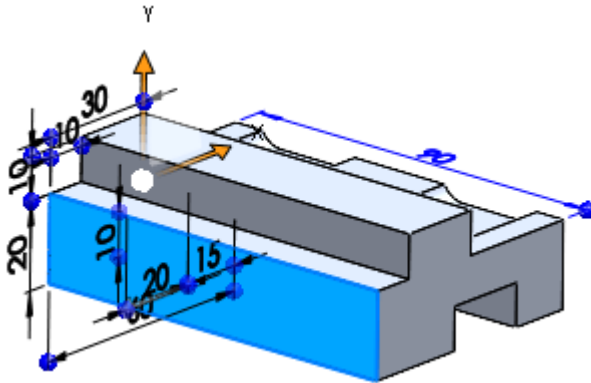
9. Draw Straight slots and an auxiliary axis. Assign bindings. Create dimensions.



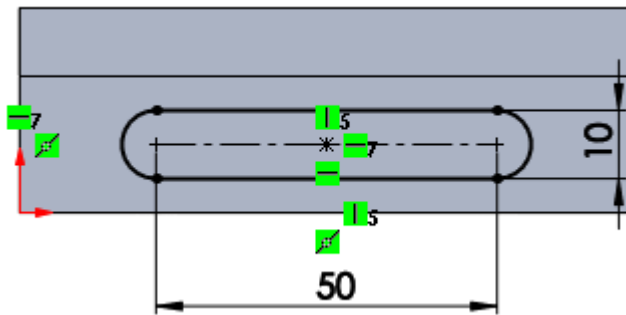
10. Create remove by extruding it up to surface.



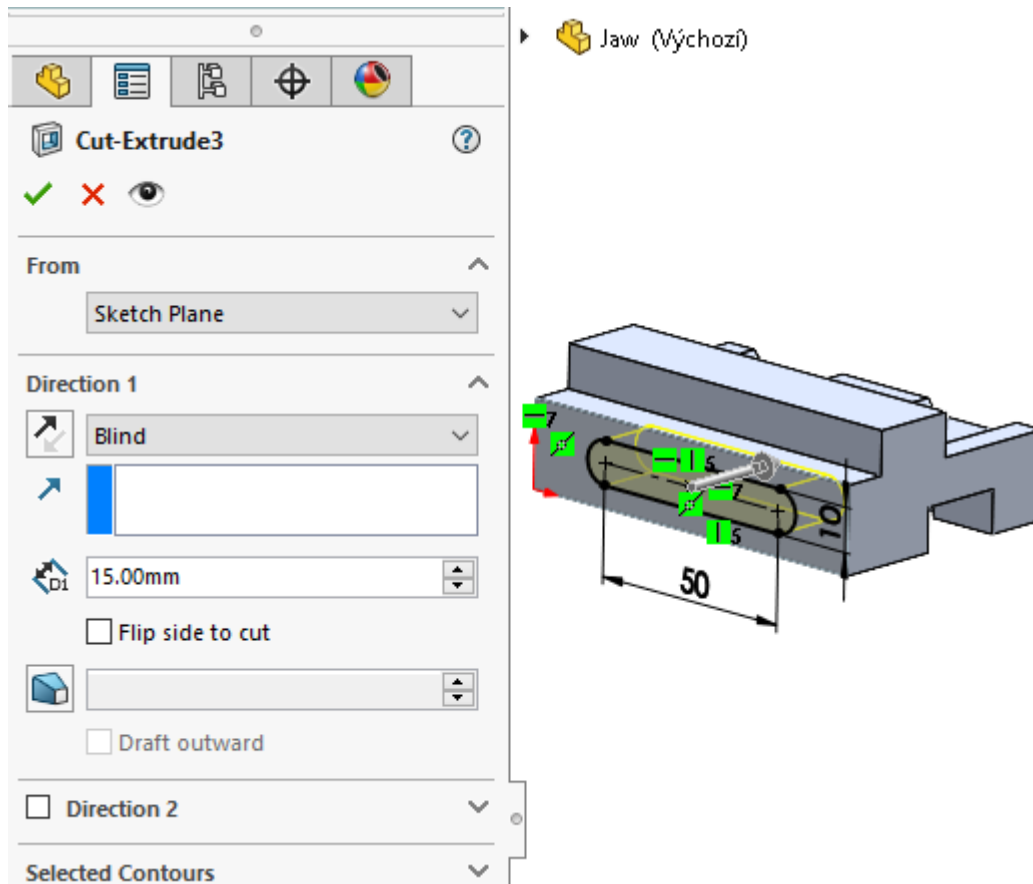
11. Select the back surface on the model and place a new sketch on it.



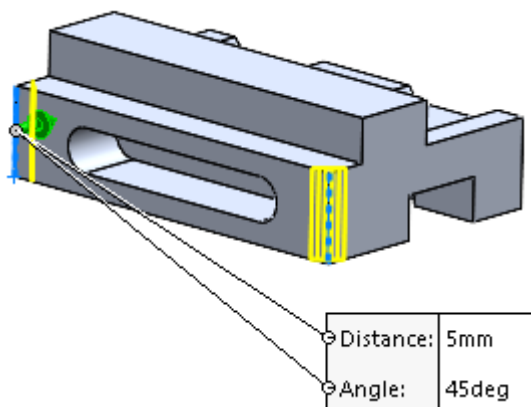
12. Draw a Straight slot. Assign bindings. Create dimensions.



13. Remove by extruding to a depth of 15 mm.



14. Create a 5x45 ° chamfer.



15. Save - The part is done.

