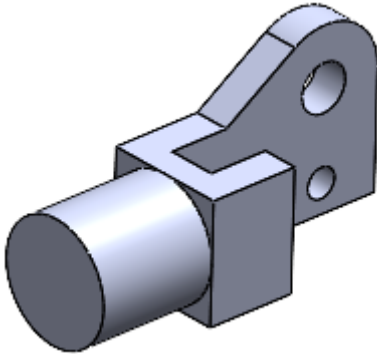
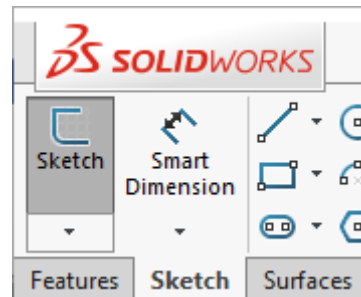
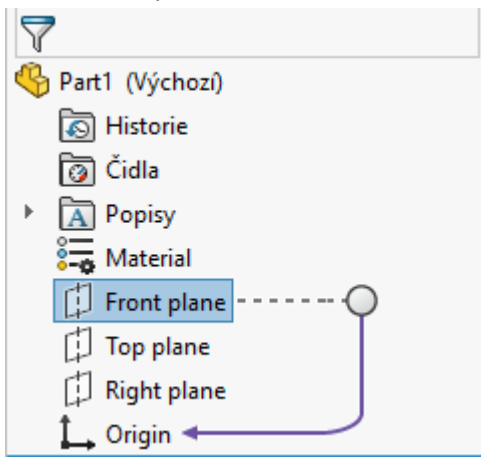


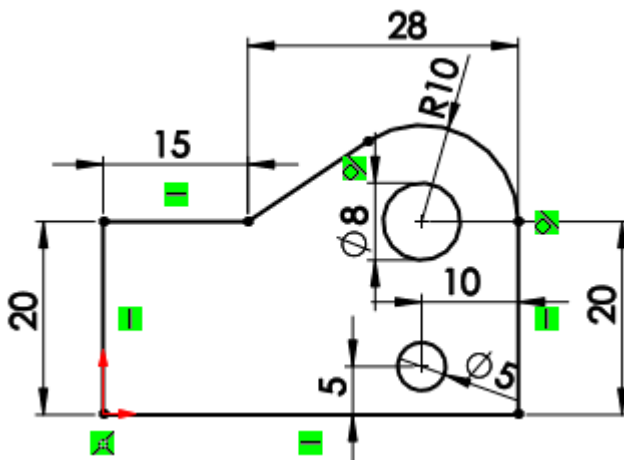
Holder



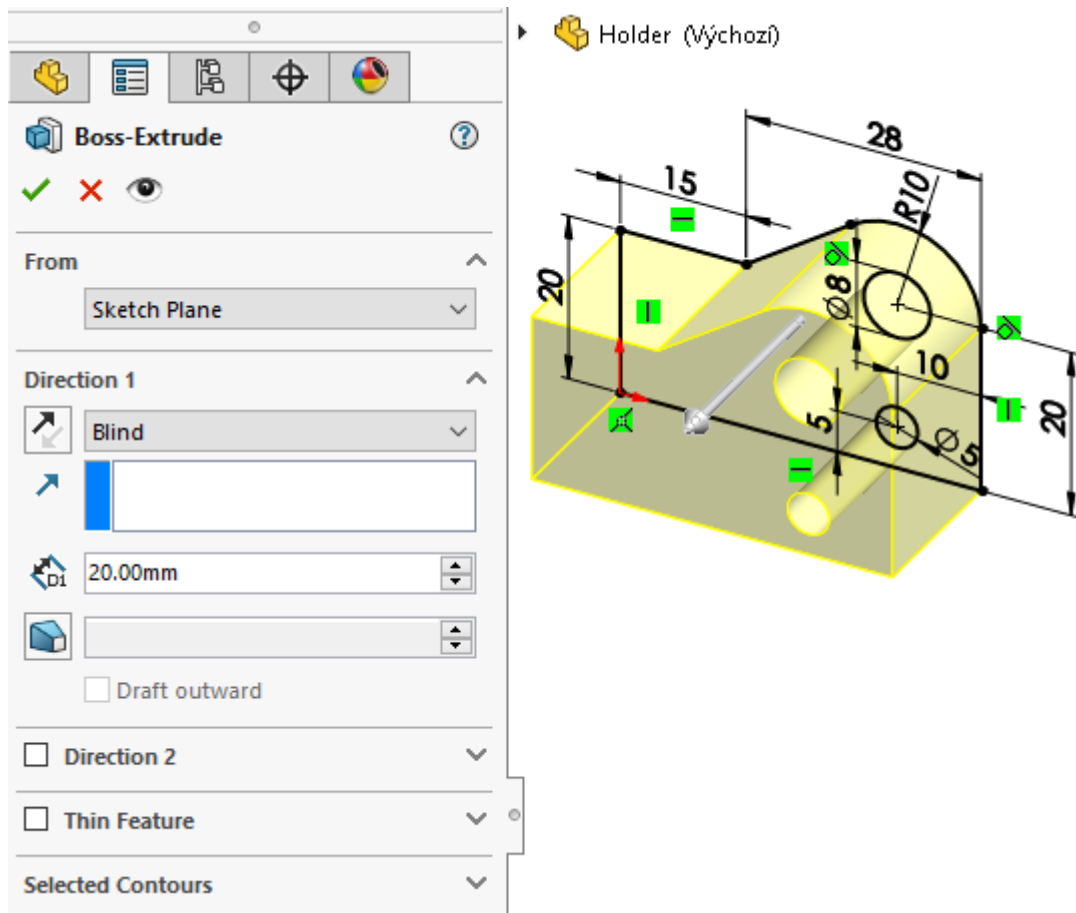
1. Open New File - Part
2. Select Front plane and Sketch



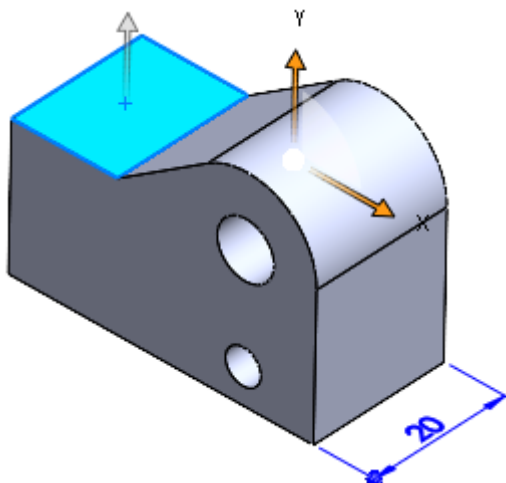
3. Draw the contour edges and create dimensions.



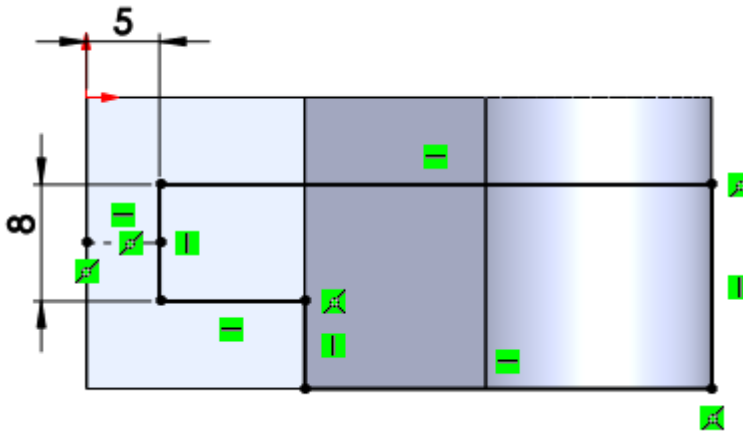
4. Add by extruding to a height of 20 mm.



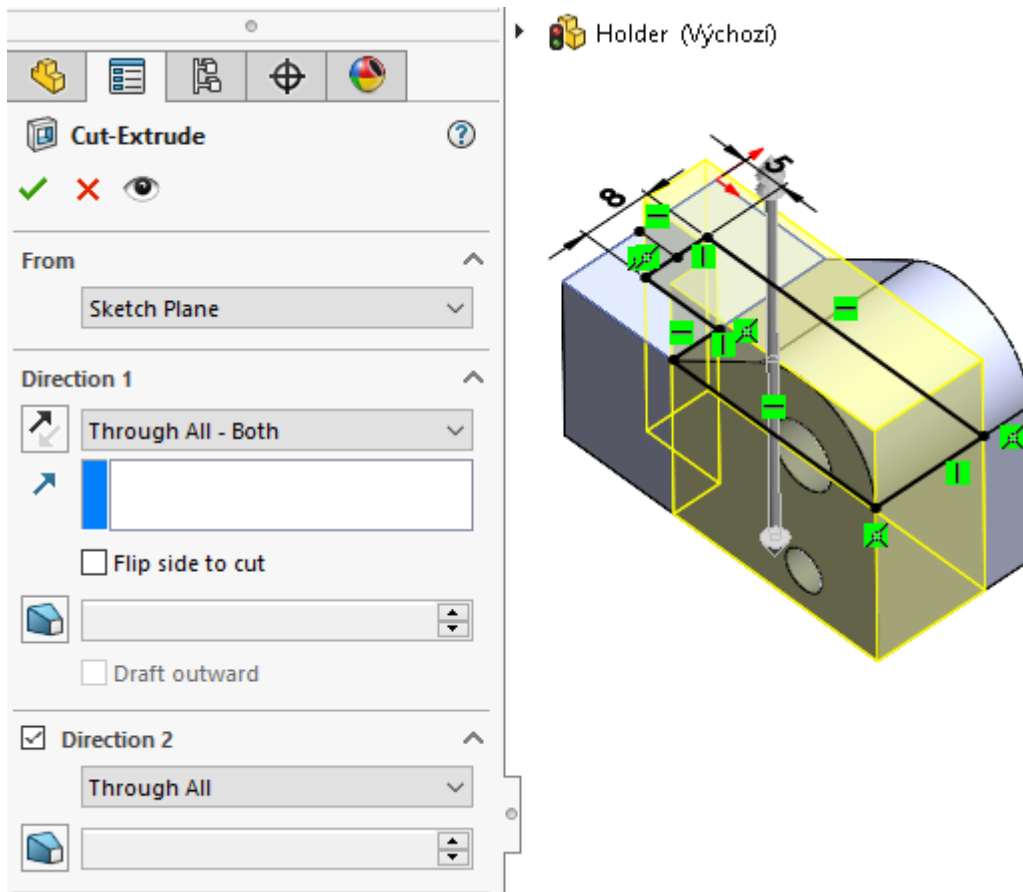
5. Select the top surface of the model and place a new sketch on it.



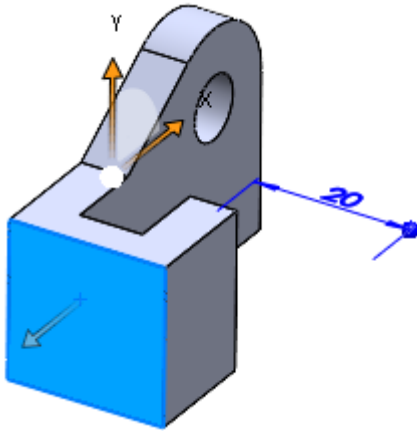
6. Draw the contour edges and the auxiliary axis. Assign bindings. Create dimensions.



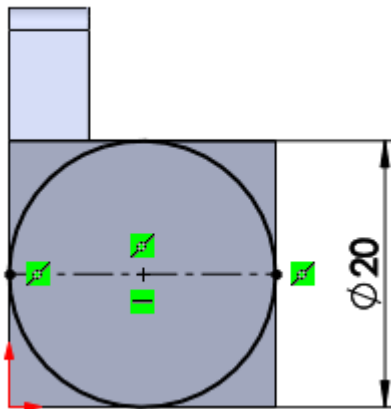
7. Remove by extruding through all in both directions.



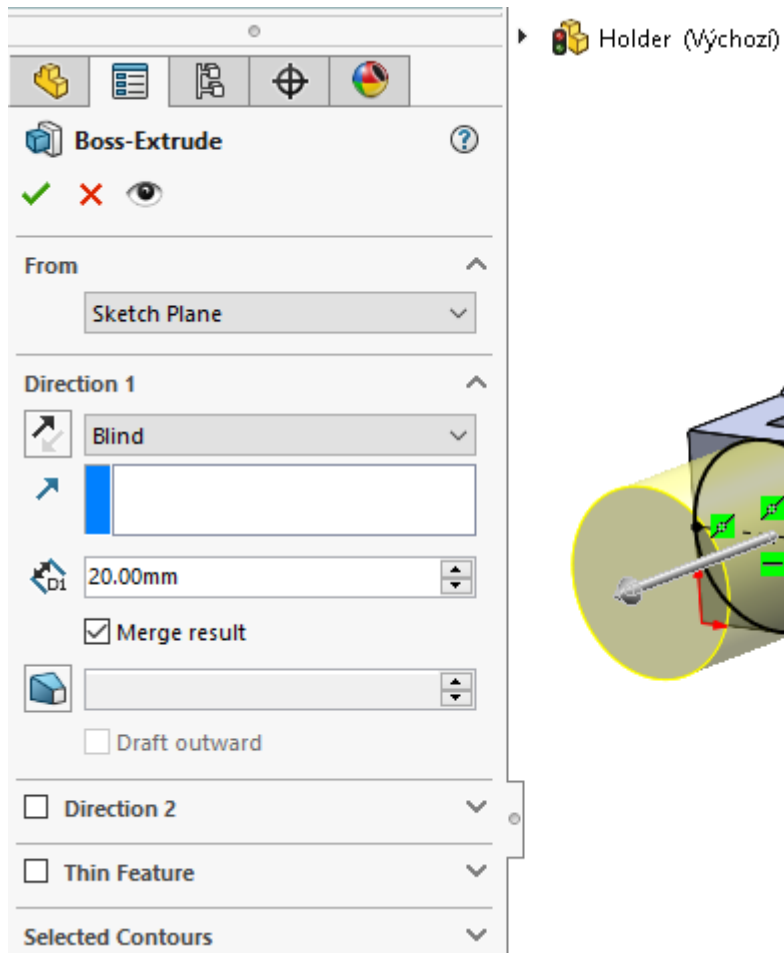
8. Select the front surface on the model and place a new sketch on it.



9. Draw an axis and place a circle in the center. Create dimensions.



10. Add by extruding to a height of 20 mm.



11. Save - The part is done.

