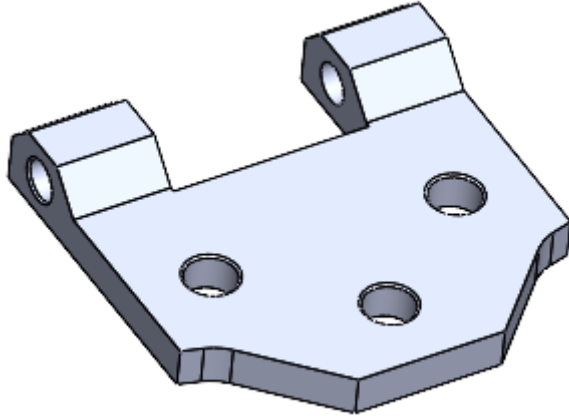
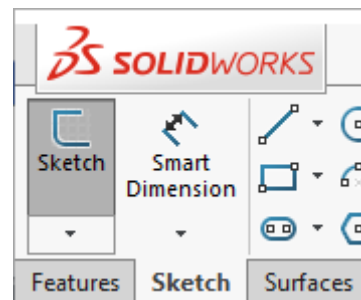
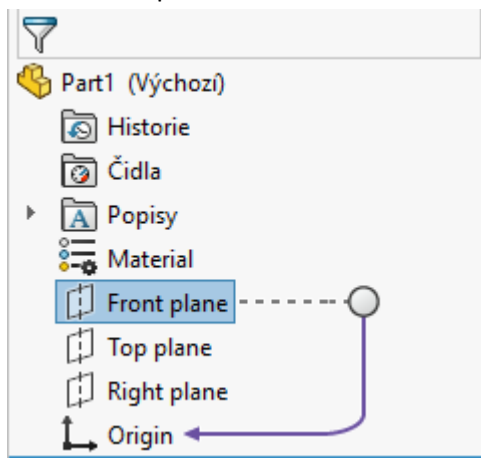


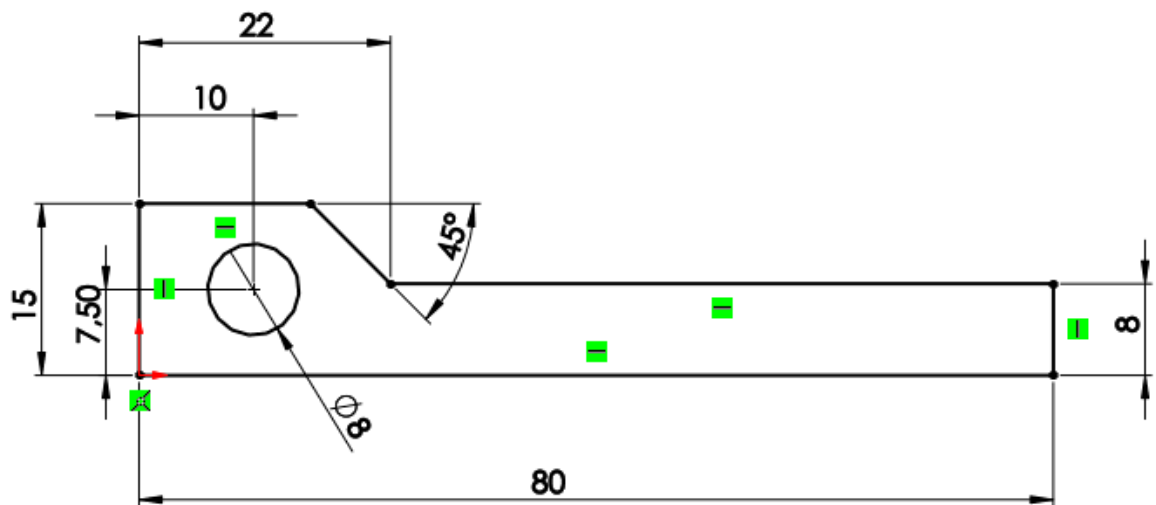
Hinge



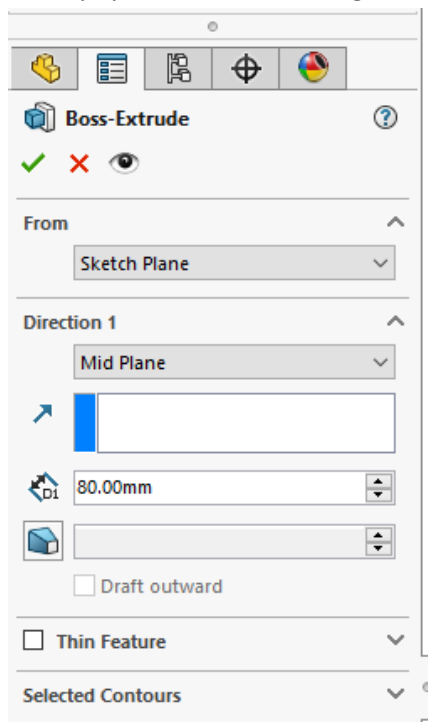
1. Open New File - Part
2. Select Front plane and Sketch



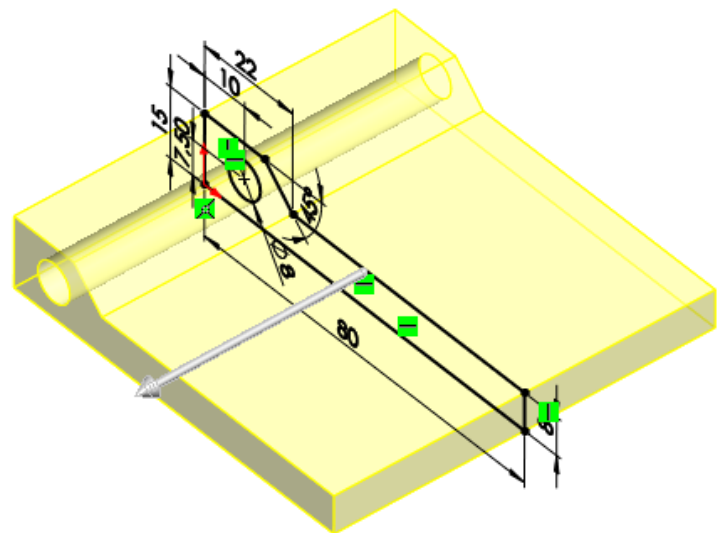
3. Draw the contour edges and create dimension.



4. Add by symmetrical extruding to 80 mm.

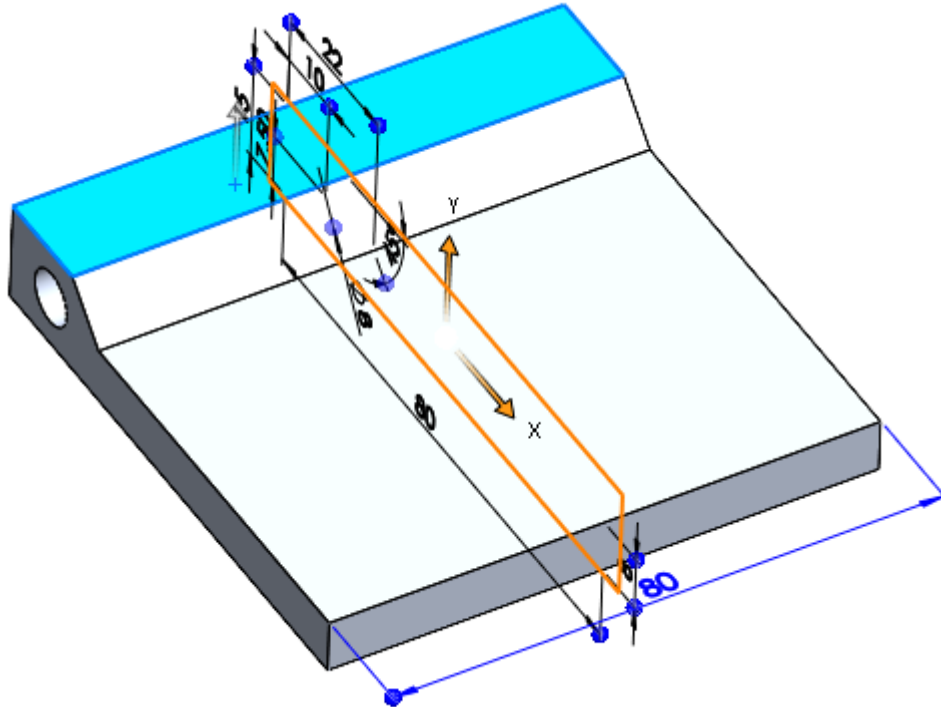


Hinge (Výchozí)

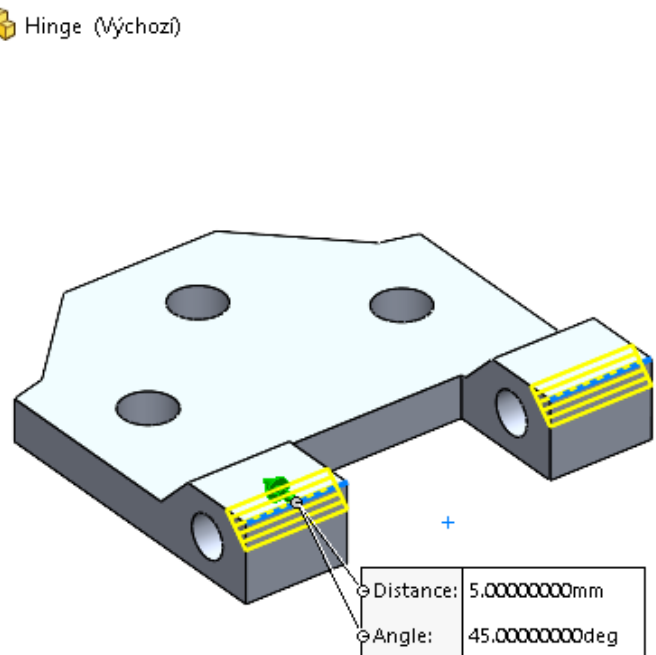
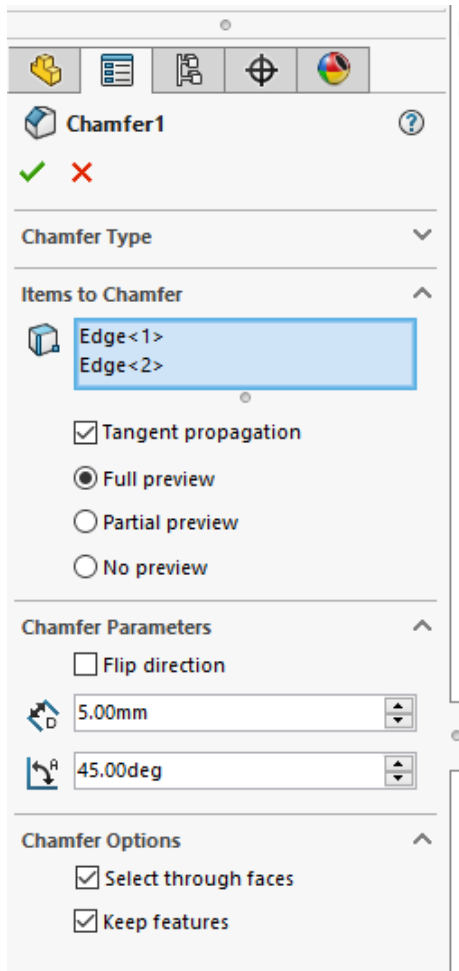




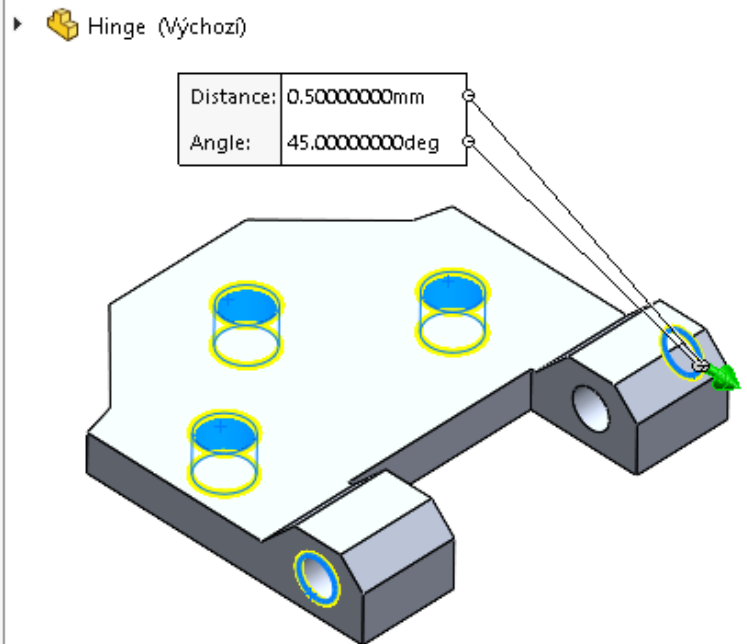
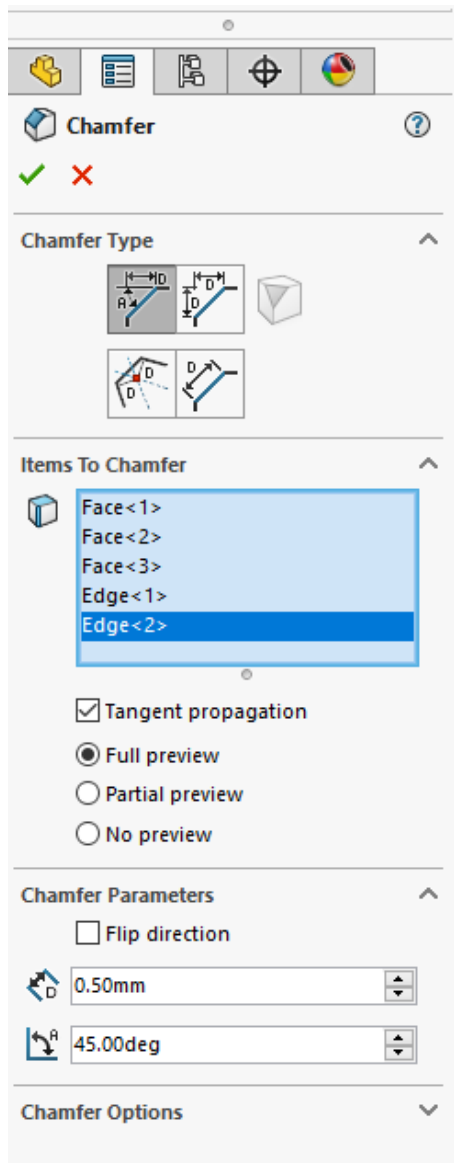
5. Select the top plane on the model and enter a new sketch.



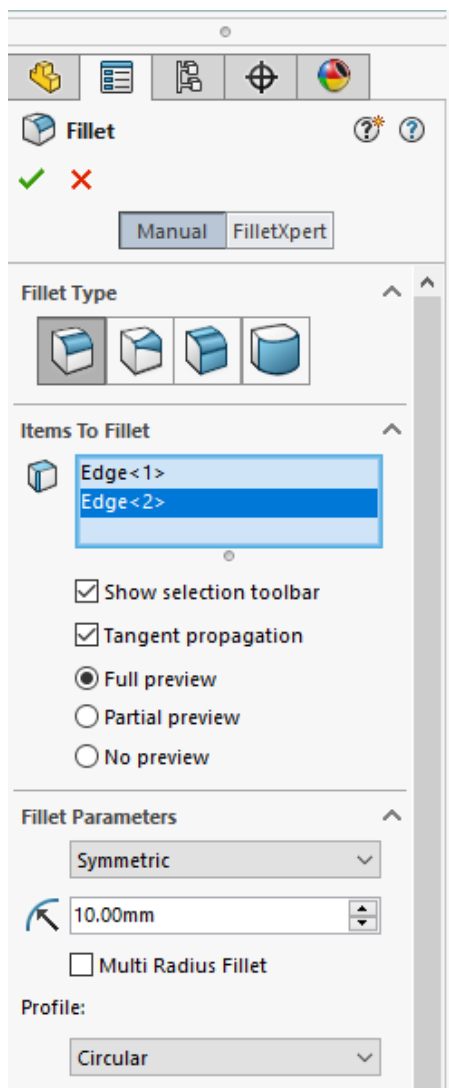
8. Create a chamfer of 5x45 °.



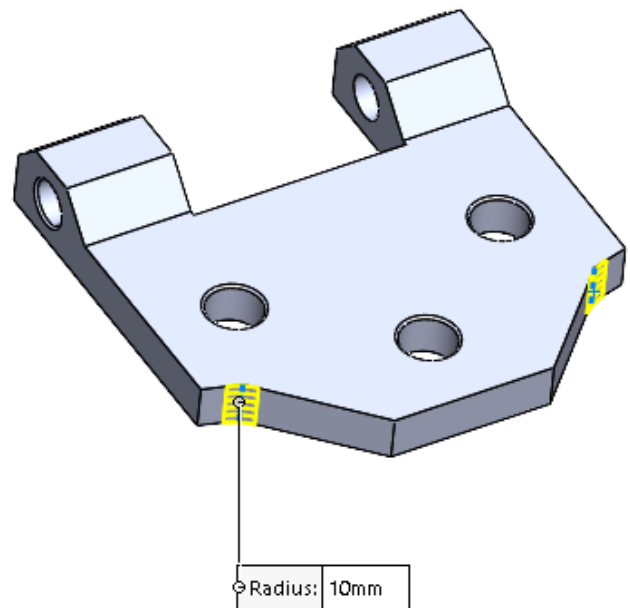
9. Create a chamfer of 0.5x45 °.



10. Create R10 fillet.



Hinge (Výchozí)



11. Save - The part is done.

