

1

2

3

4

A

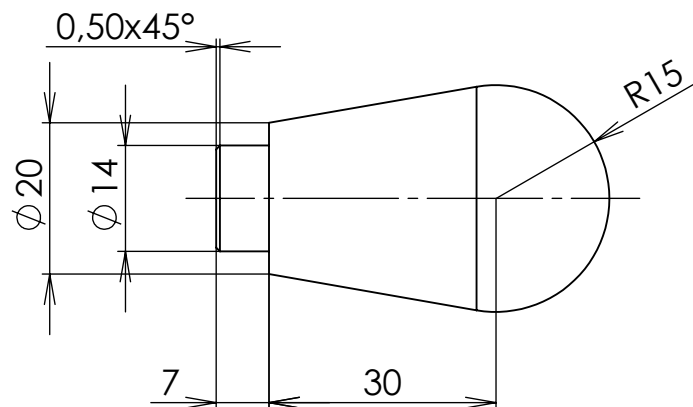
B



C

D

E

F



MATERIAL		11343		INDEX	CHANGE	DATE	SIGNATURE	
SEMI-FINISHED PRODUCT								
TOLERATION	ISO 8015	ANO						
ACCURACY	ISO 2768	m K						
SCREENING				MASS	0,182 kg	SCALE	1:1	
DRAWN	Tomáš Plítek	APPROVED	Lukáš Vydra	ASSEM.	Pos. 2	BOM		
CHECKED	Tomáš Plítek	DATE	12.02.2021	REPL. FOR				
SOŠ a SOU technické Třemošnice				NAME				Head
				DRAWING No.				