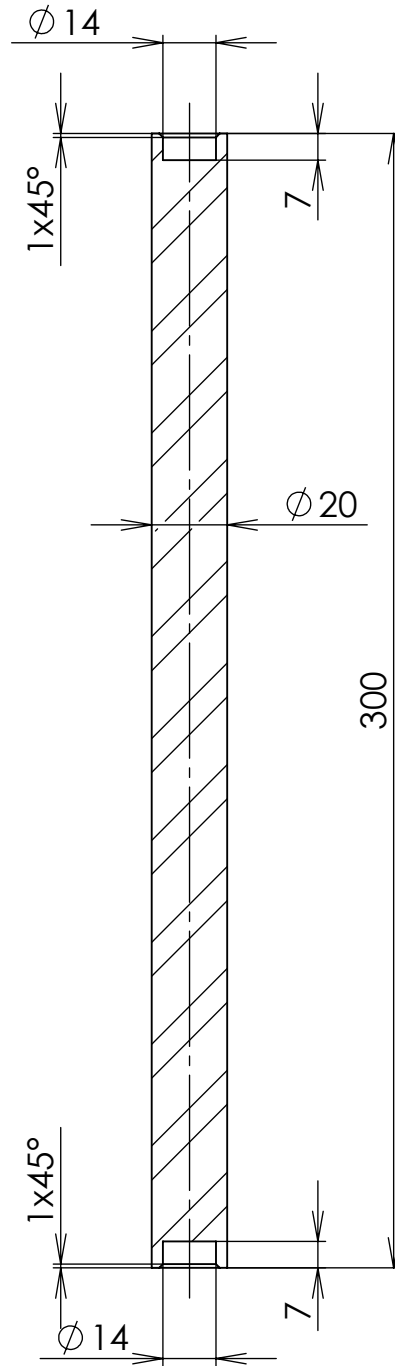


A  
B  
C  
D  
E  
F



MATERIAL	11343	INDEX	CHANGE	DATE	SIGNATURE
SEMI-FINISHED PRODUCT					
TOLERATION	ISO 8015 ANO				
ACCURACY	ISO 2768 m K				
SCREENING				SCALE	<b>1:2</b>
DRAWN	Tomáš Plítek	APPROVED	Lukáš Vydra	MASS	0,718 kg
CHECKED	Tomáš Plítek	ASSEM.	Pos. 3	REPL. FOR	BOM
		DATE	12.02.2021		

SOŠ a SOU technické Třemošnice



NAME

Handle

DRAWING No.