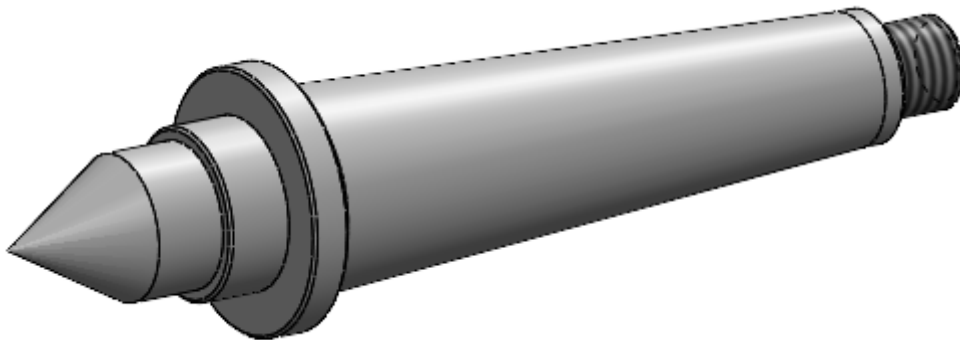
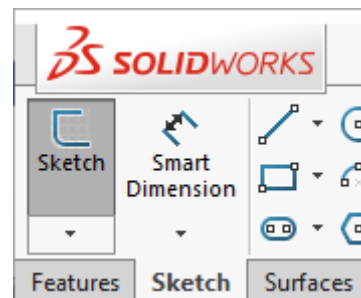
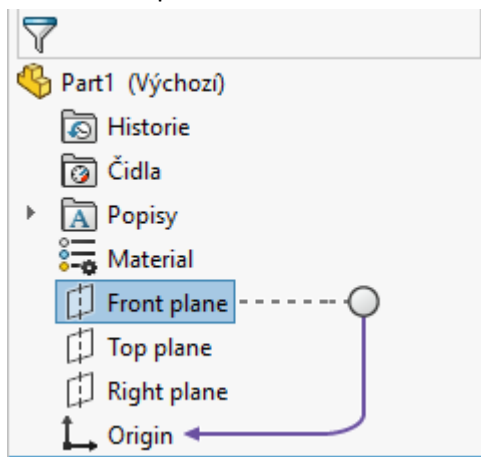


Dead lathe center



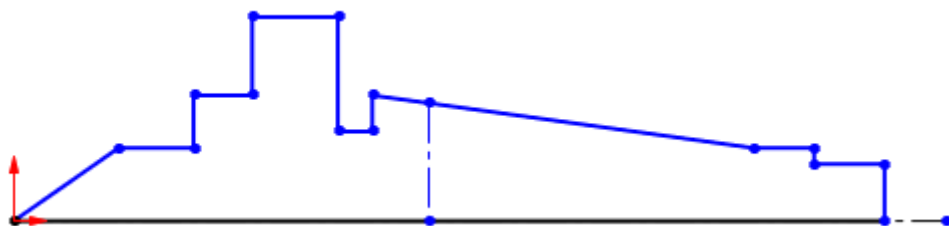
1. Open a New File - Part
2. Select Front plane and Sketch



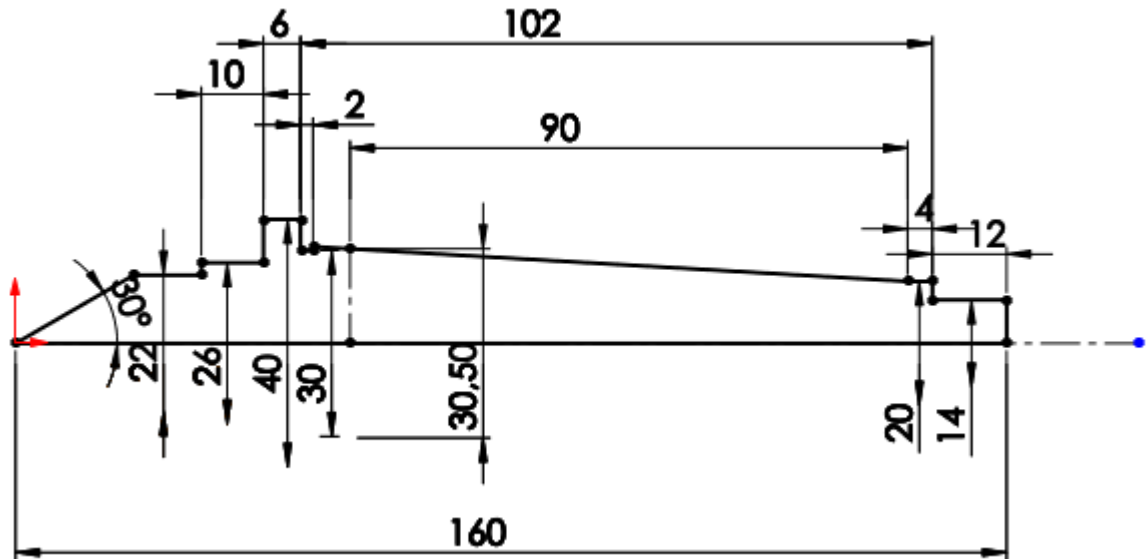
3. Draw the axis from the Origin point



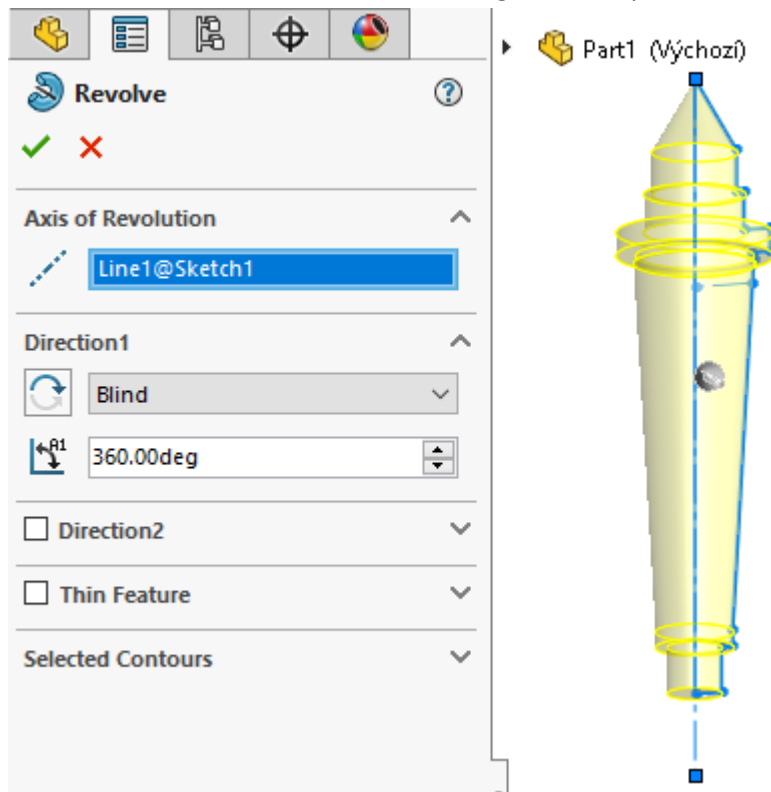
4. Draw the contour edges and the auxiliary axis for dimensioning



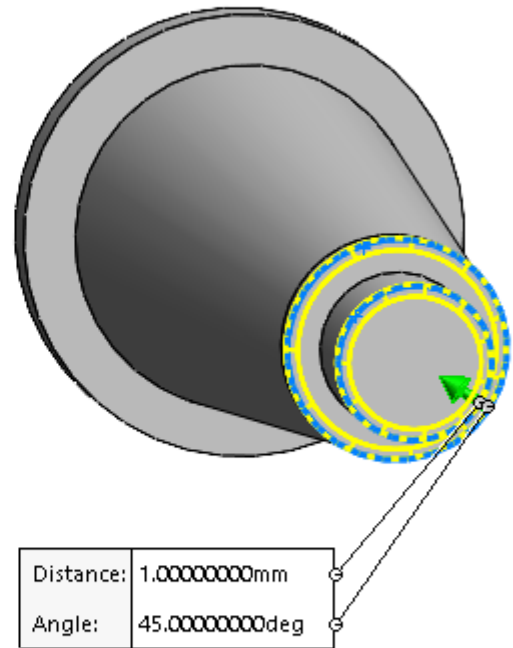
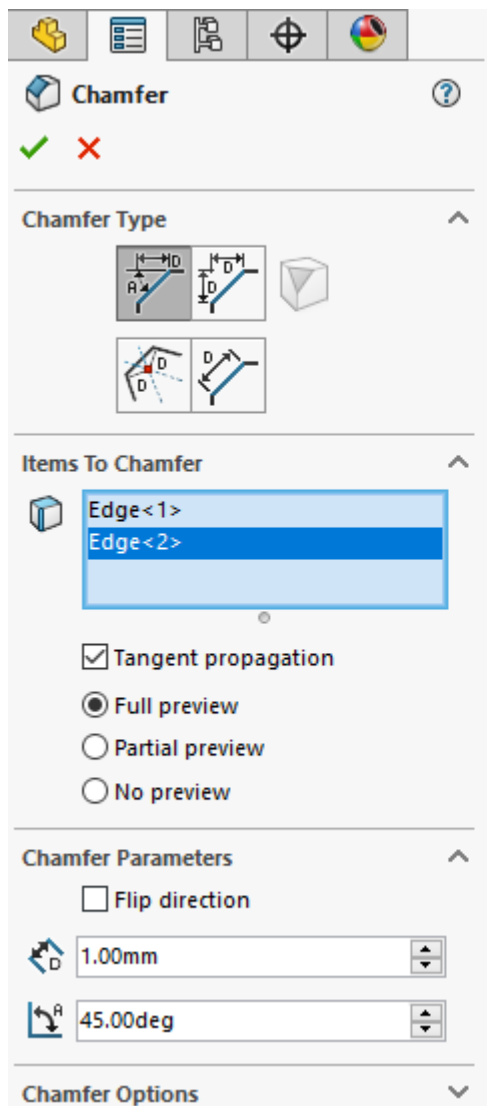
5. Create dimensions of the elements

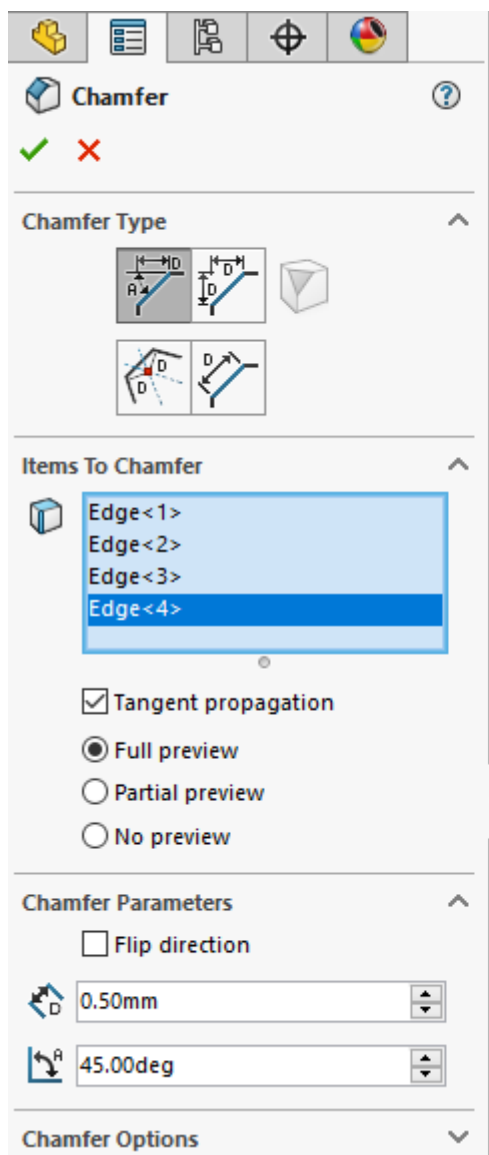


6. Exit the sketch and create a Revolve along the axis by 360°

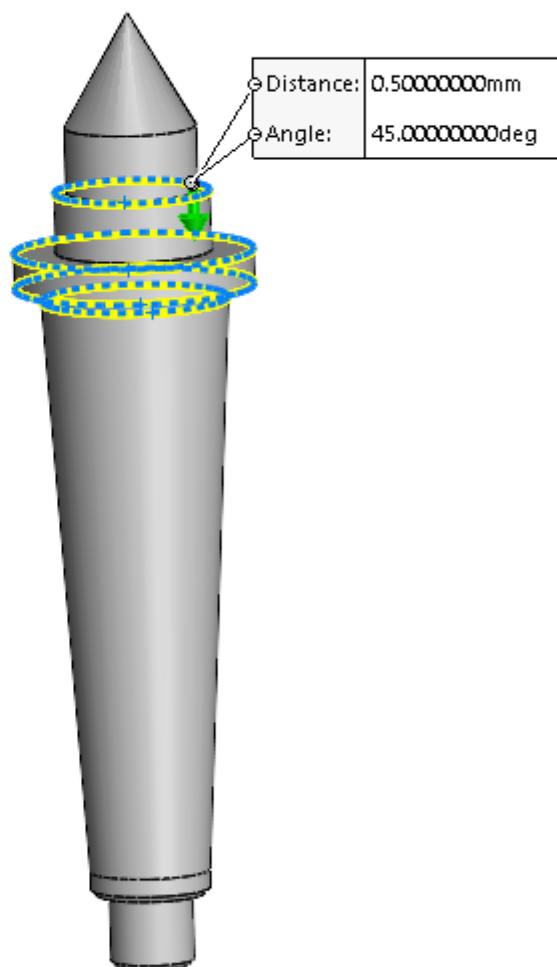


7. Create 2x chamfer with the Chamfer command on the respective edges (0.5x45 °; 1x45 °)

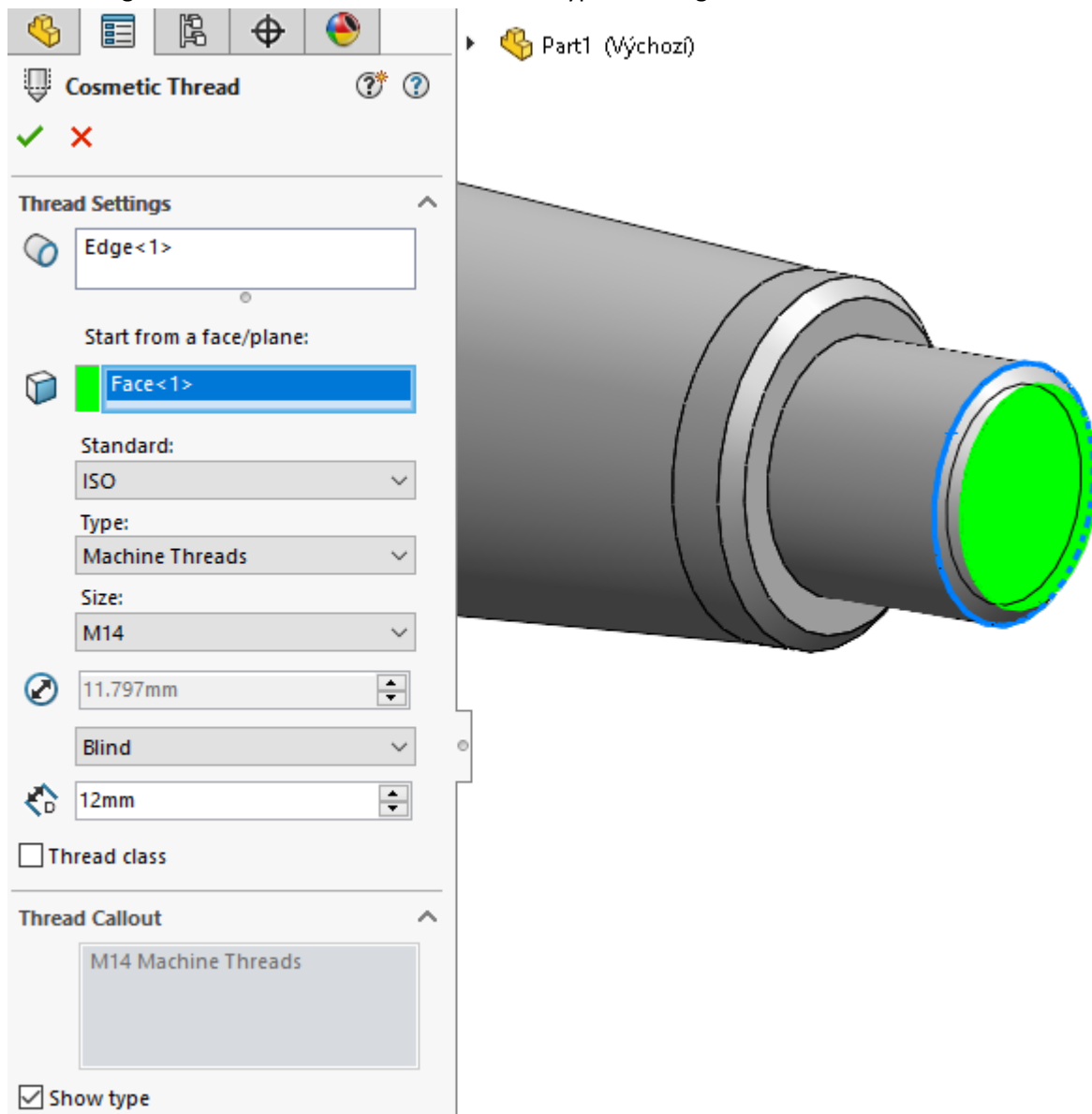




Part1 (Výchozí)



8. Create a thread with the Cosmetic Thread command on the appropriate surface. Select the default edge and face and set the desired thread type and length



The display of the cosmetic thread is possible to turn on in the Options / Document properties / Detailing / Shaded cosmetic threads

9. Save - The part is done

