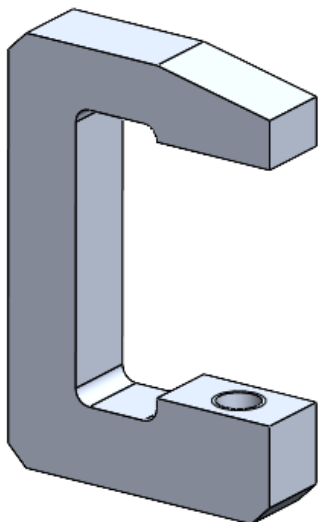
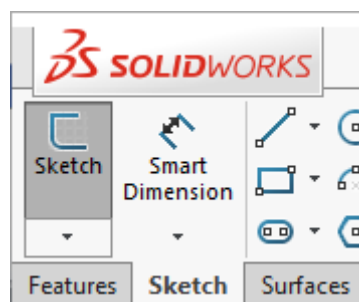
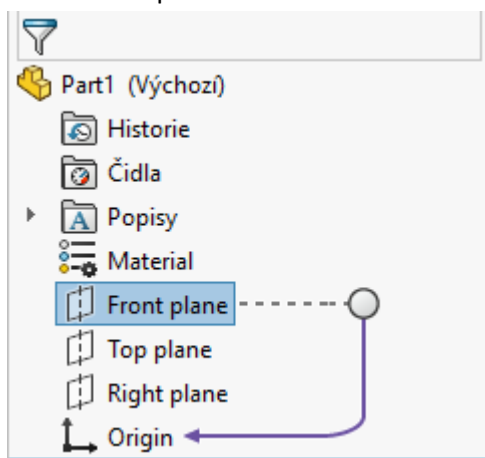


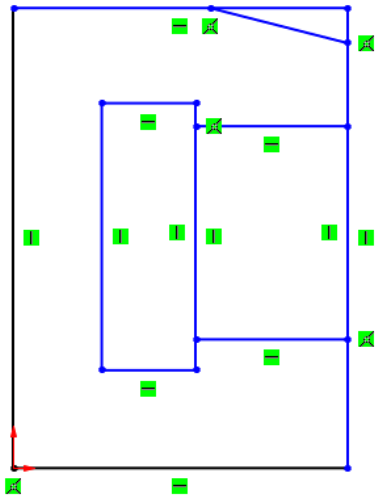
Clamp



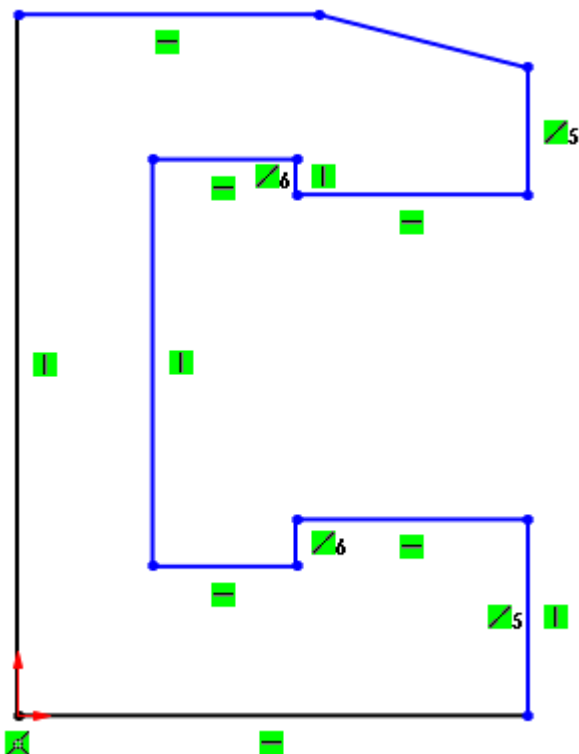
1. Open New File - Part
2. Select Front plane and Sketch



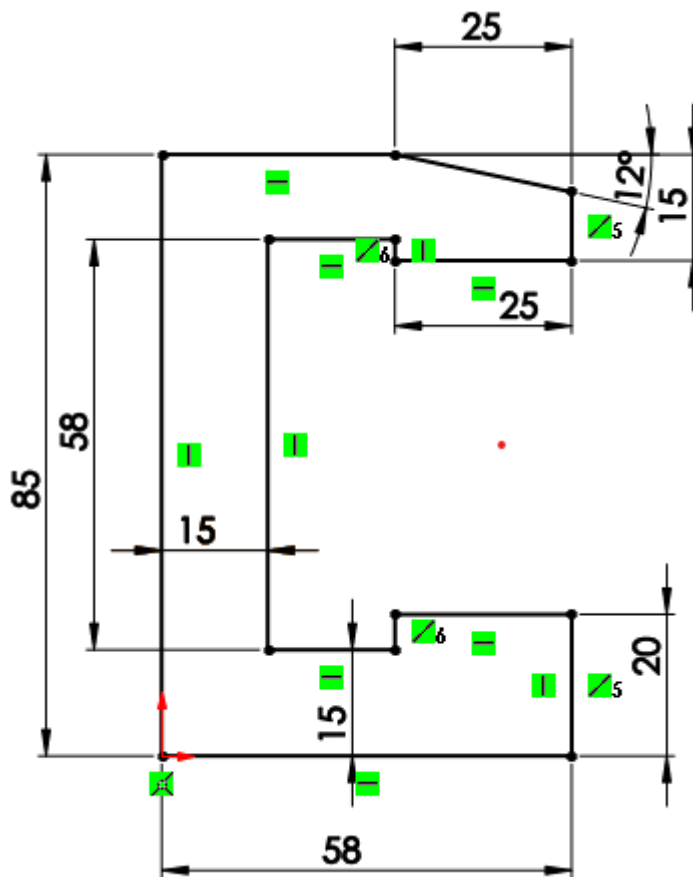
3. Draw the contour edges using several rectangles and a line.



4. Trim unnecessary edges. The appropriate bindings are created automatically.

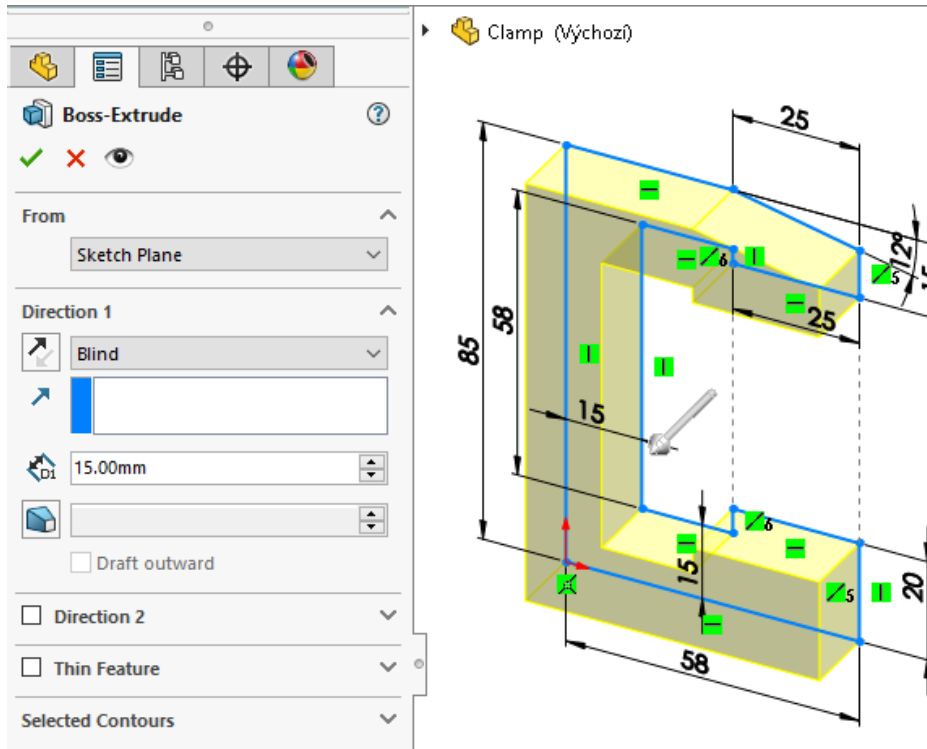


5. Create dimensions.

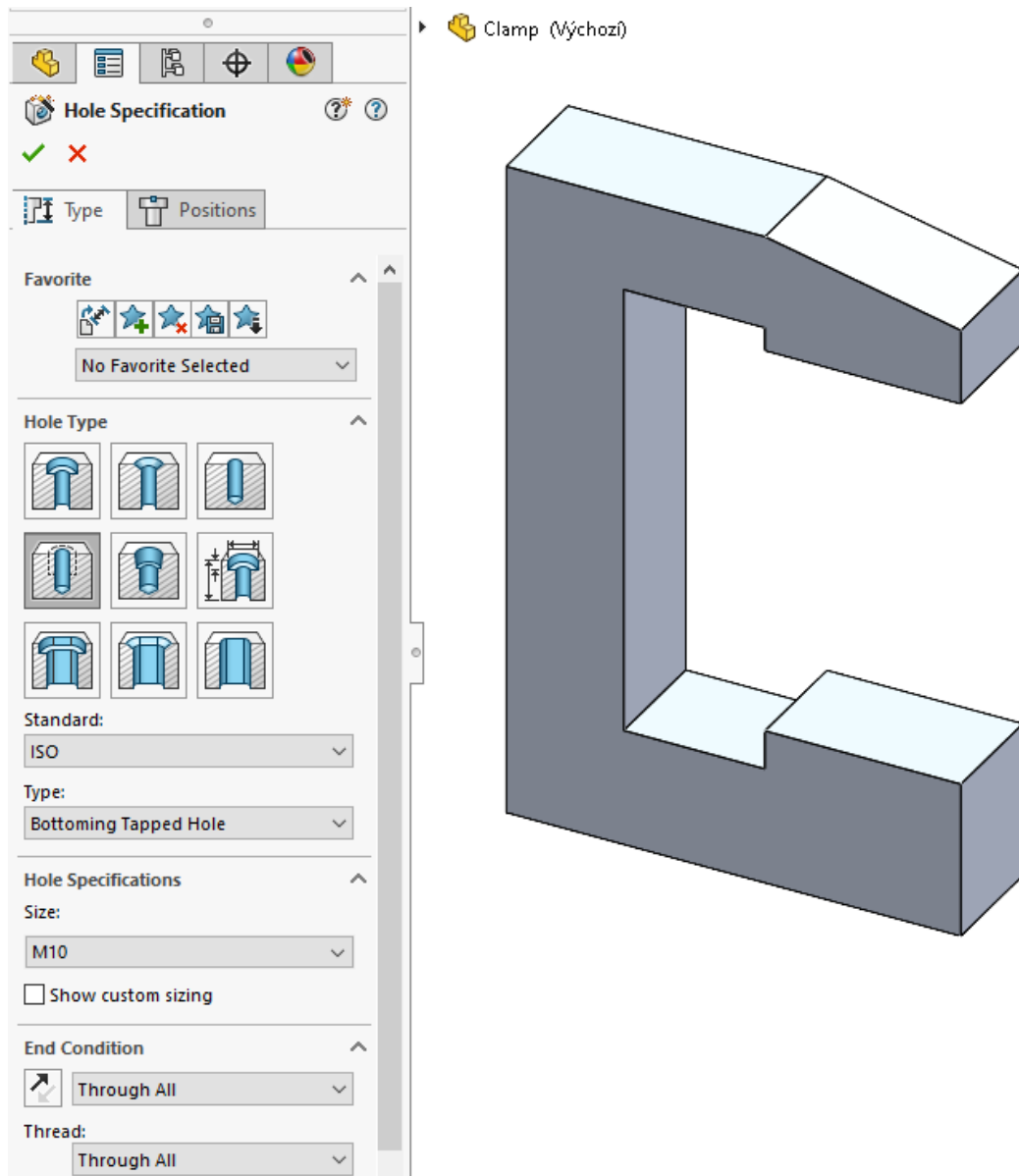




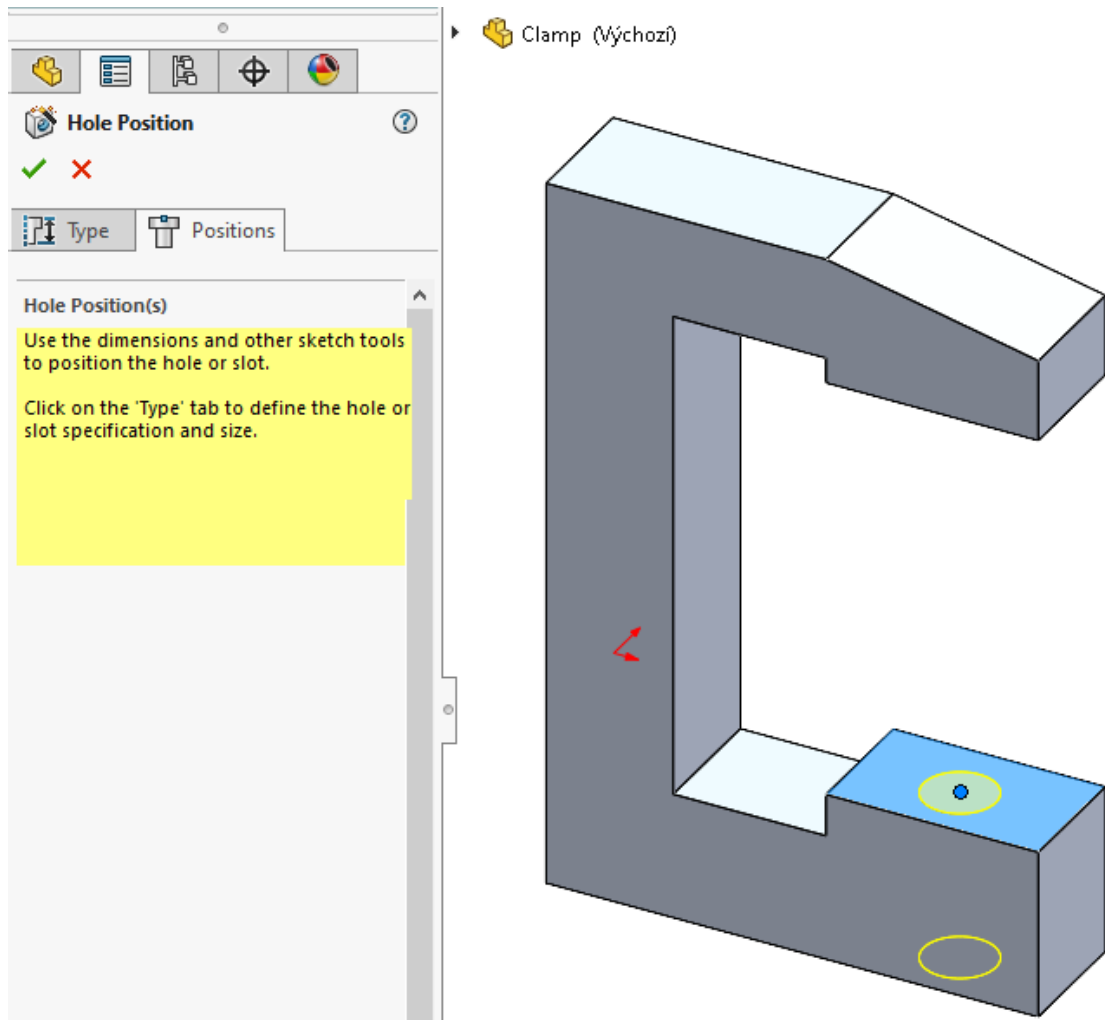
6. Add by extruding to a height of 15 mm.



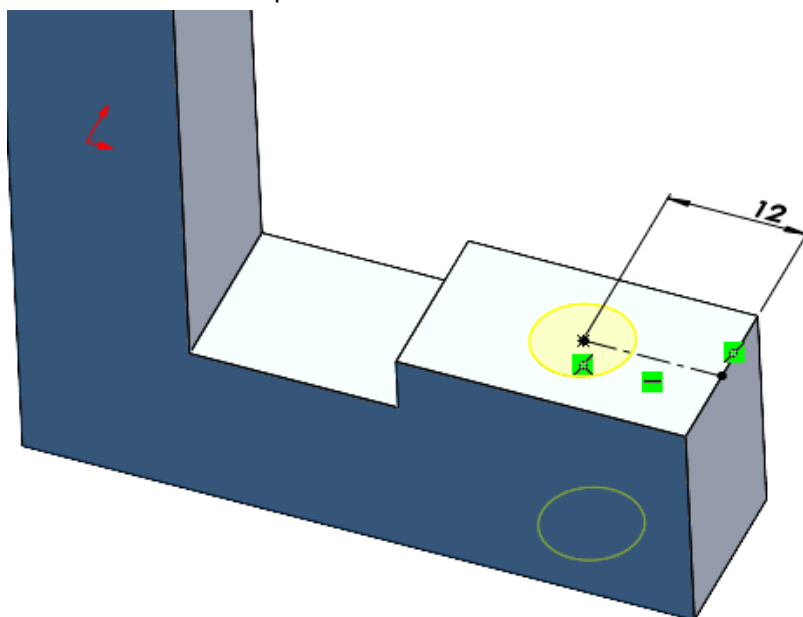
7. Run the Hole Wizard and set the required thread size.



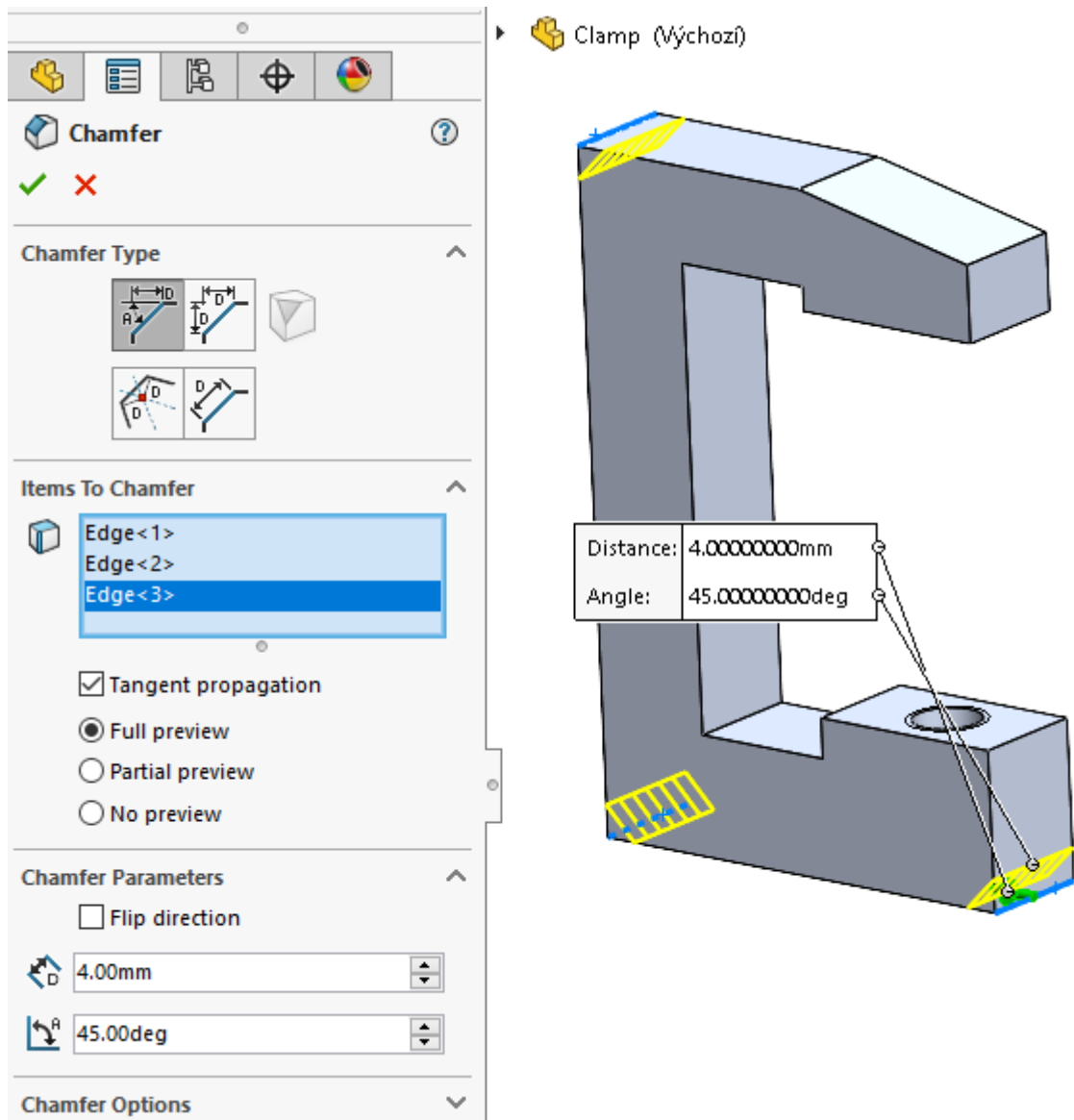
8. Switch to the Position tab. Select an area and place a point on it.



9. Dimension the thread position and confirm its creation.



10. Create a chamfer of 4x45 °.



Clamp (Výchozí)

Chamfer

✓ ✗

Chamfer Type

Items To Chamfer

- Edge<1>
- Edge<2>
- Edge<3>

Tangent propagation

Full preview

Partial preview

No preview

Chamfer Parameters

Flip direction

Distance: 4.00mm

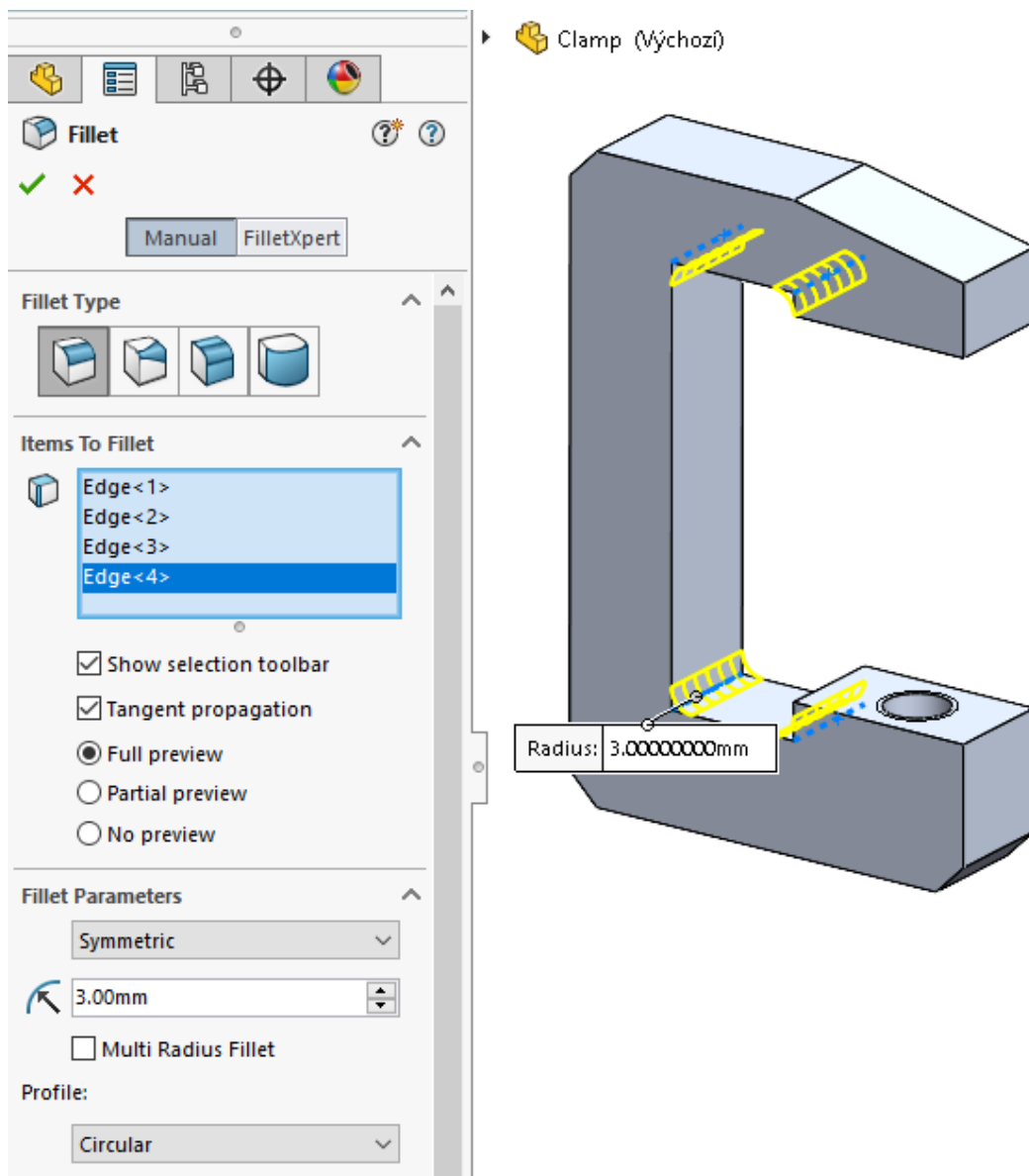
Angle: 45.00deg

Chamfer Options

Distance: 4.00000000mm

Angle: 45.00000000deg

11. Create a R3 fillet.



12. Save - The part is done.

