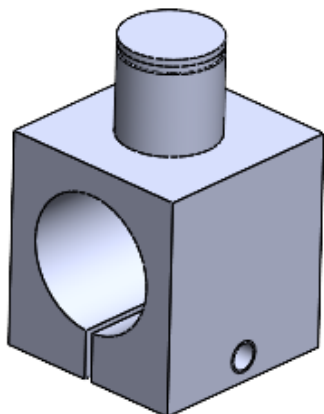
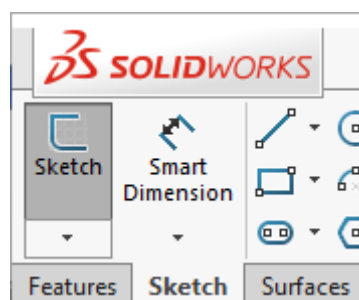
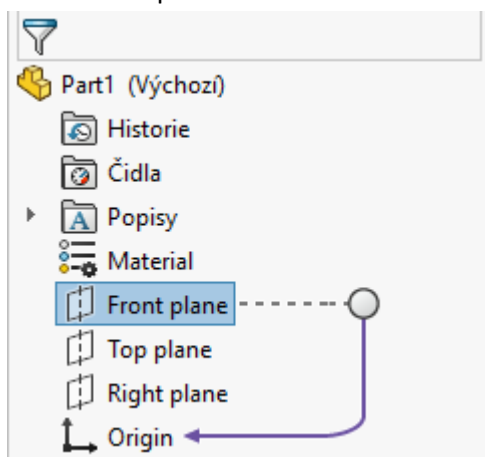


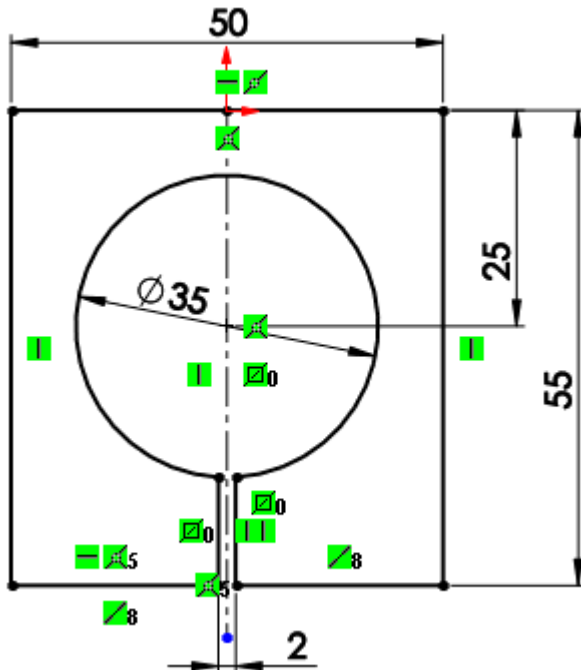
## Clamp



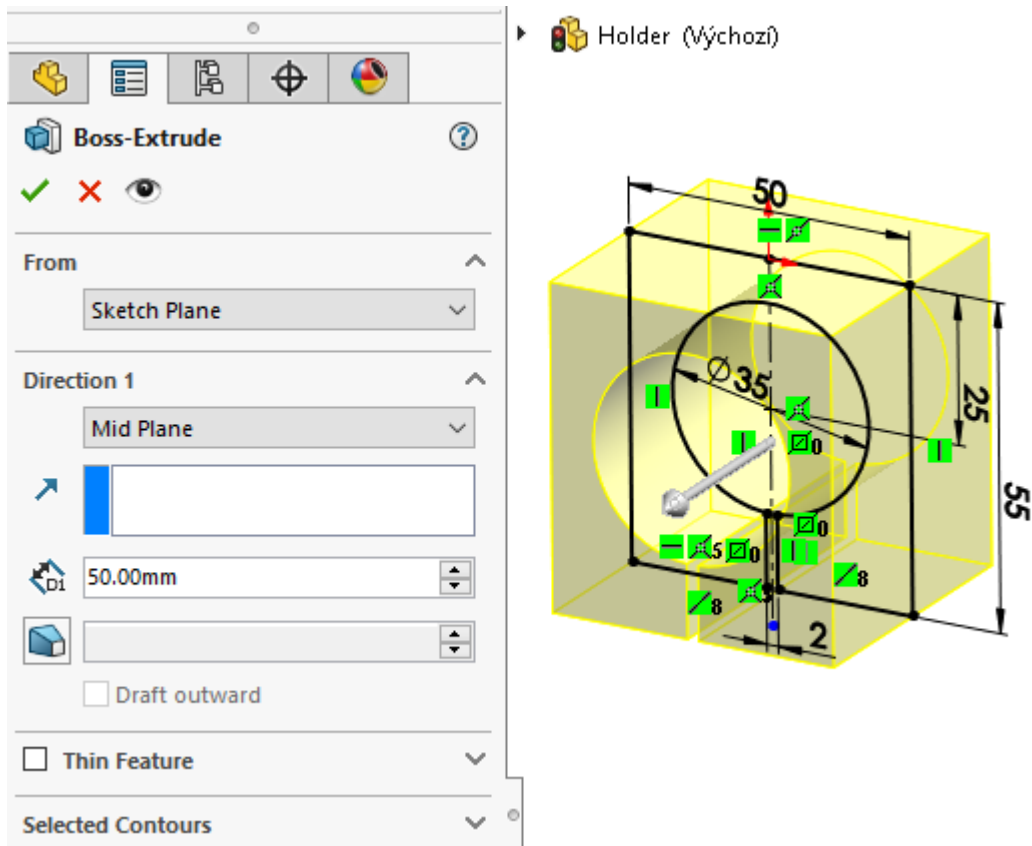
1. Open New File - Part
2. Select Front plane and Sketch



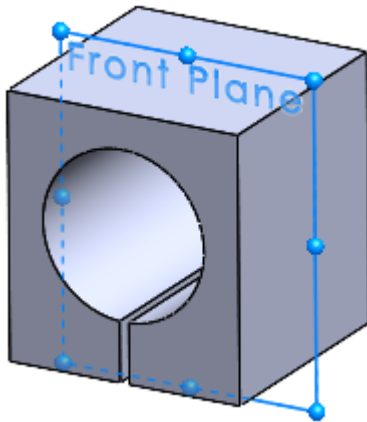
3. Draw the contour edges. Assign bindings and dimension.



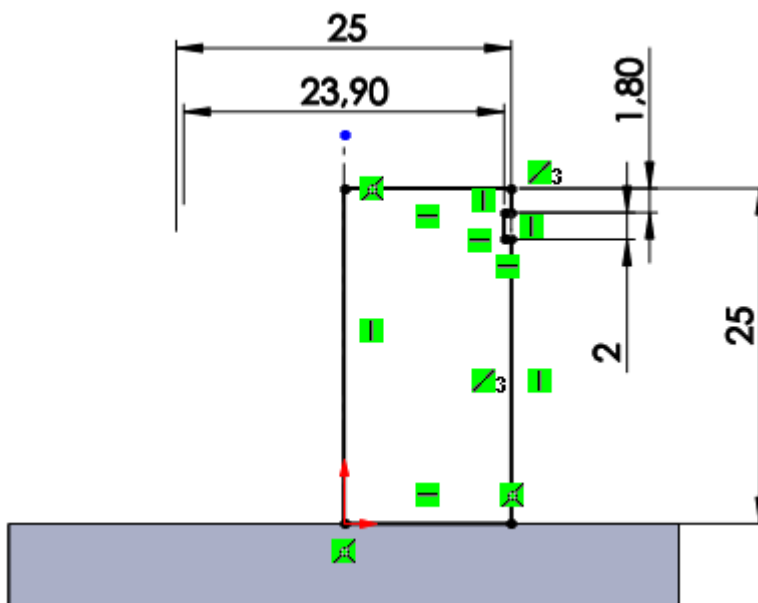
4. Add by symmetrical extruding to a height of 50 mm.



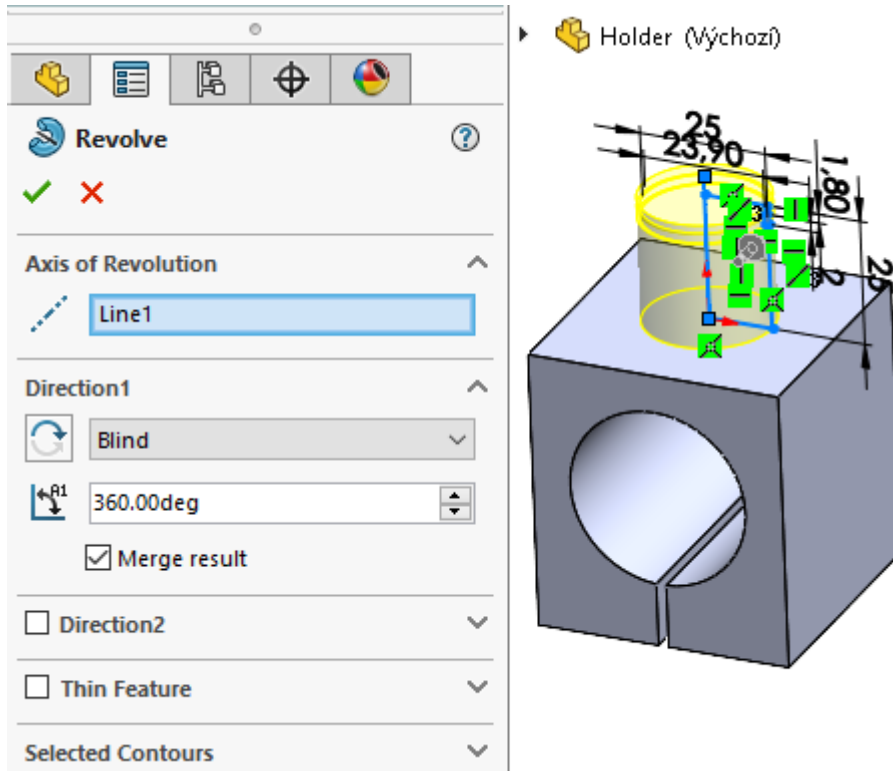
5. Select the front plane and place a new sketch on it.



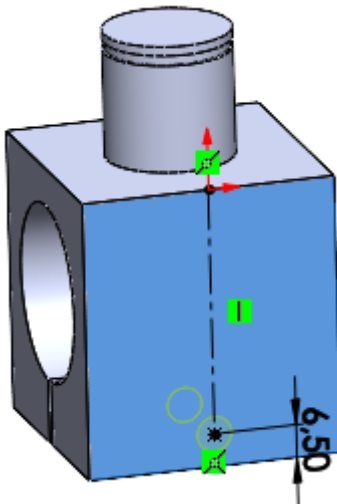
6. Draw the contour edges and the axis. Assign binding. Create dimensions.



7. Add 360 ° rotations.

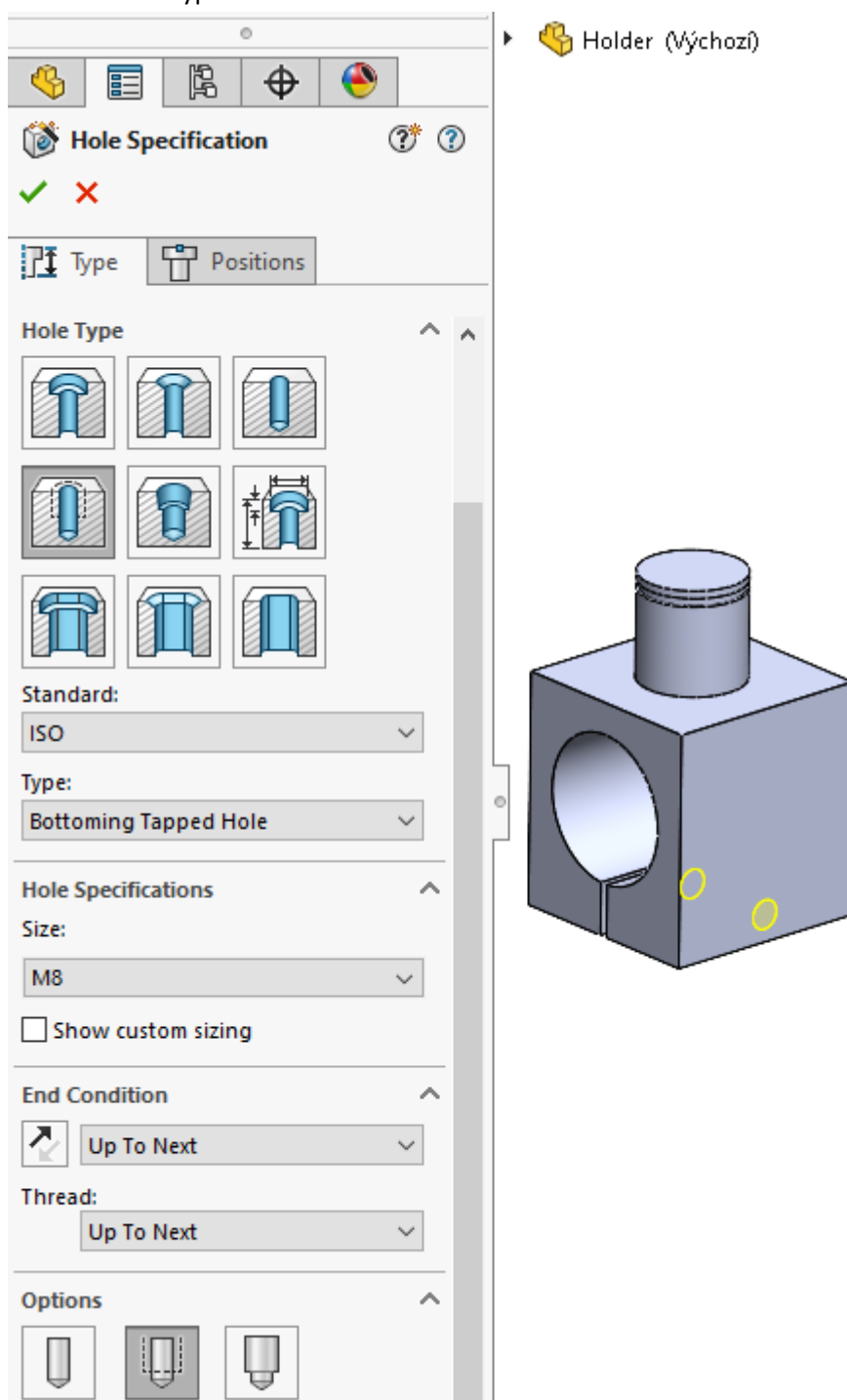


8. Run the Hole Wizard. Switch to Position and place and dimension the point.



9. Switch to the Type tab. Set the M8 thread with the end to the next.

Holder (Výchozí)



**Hole Specification**

✓ ✗

Type Positions

**Hole Type**

Standard: ISO

Type: Bottoming Tapped Hole

**Hole Specifications**

Size: M8

Show custom sizing

**End Condition**

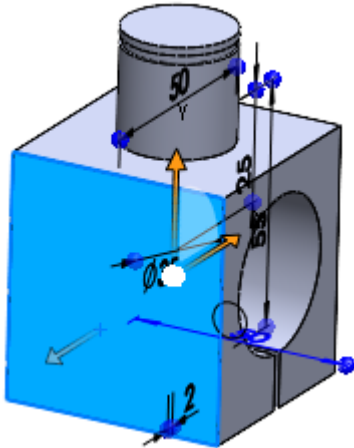
Up To Next

**Thread:**

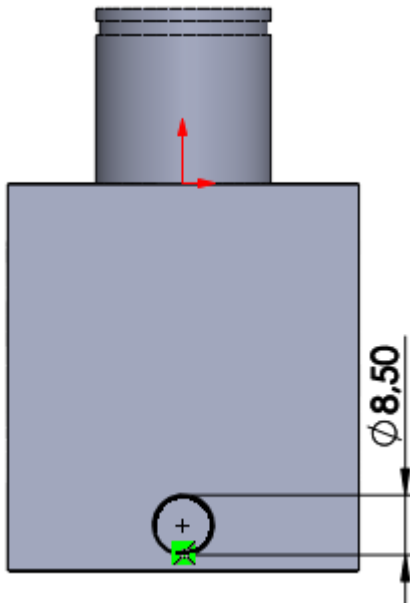
Up To Next

**Options**

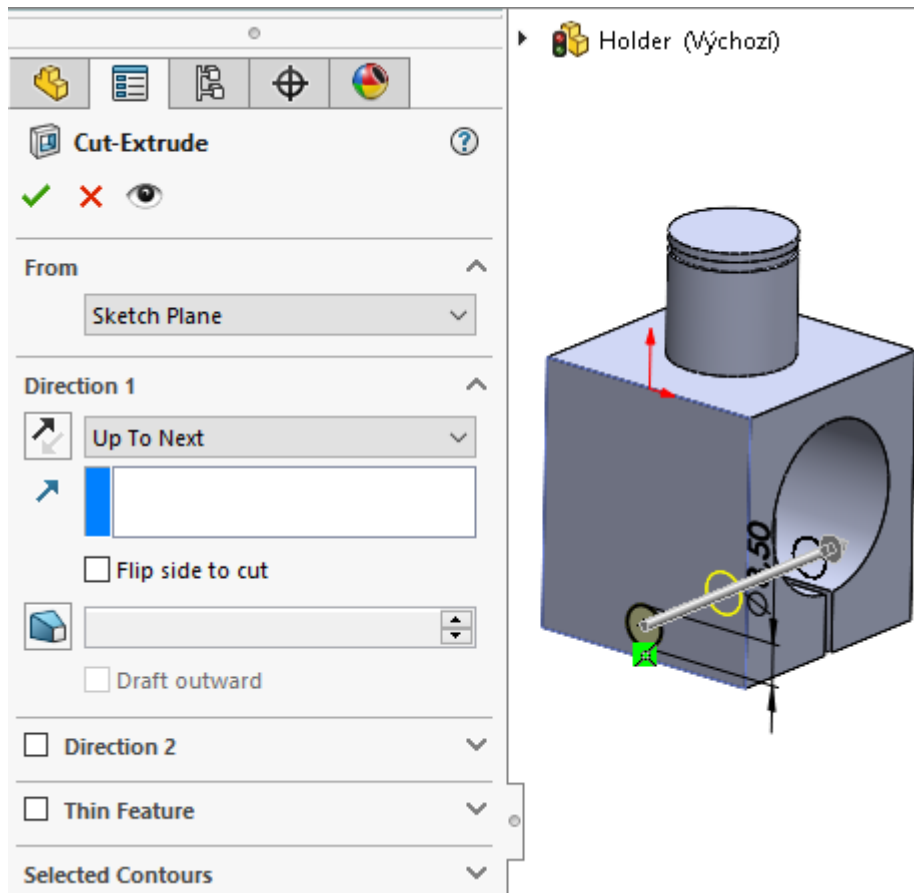
10. Select the front surface on the model and place a new sketch on it.



11. Draw a circle and create dimensions.



12. Create the removal by extruding with termination to the next.



13. Save - The part is done.

