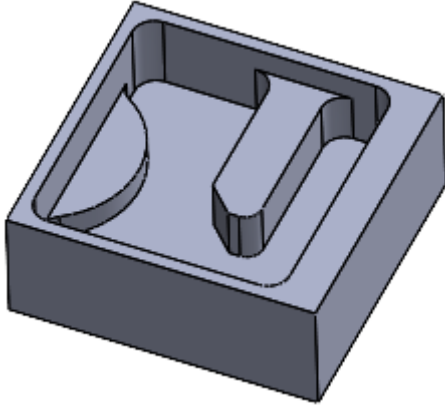
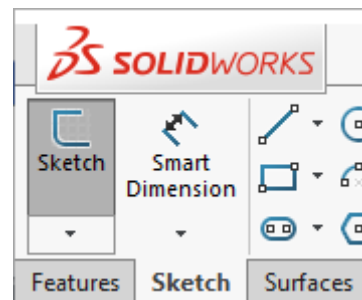
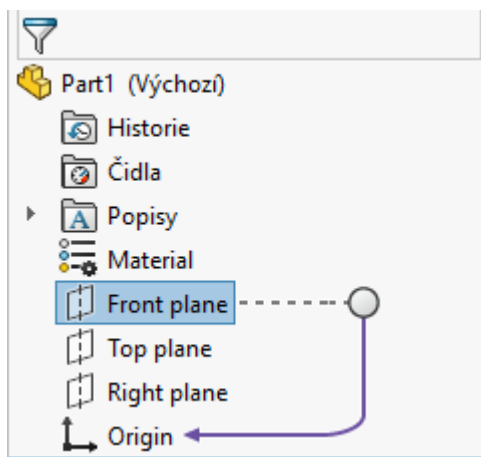


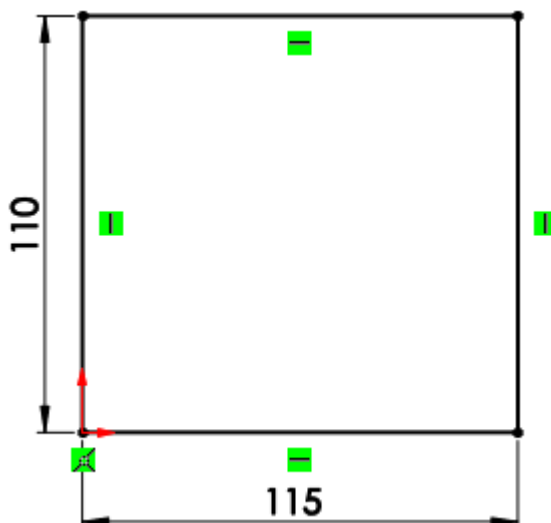
Bowl



1. Open New File - Part
2. Select Front Plane and Sketch

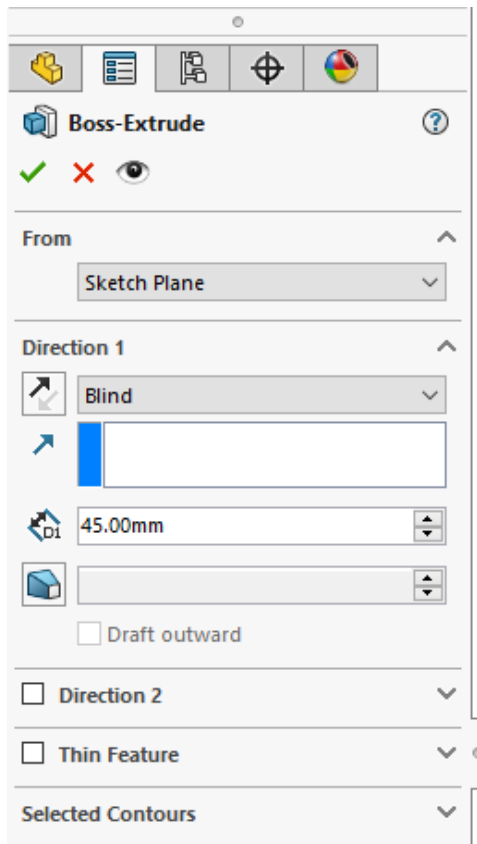


3. Draw a rectangle and dimensions.

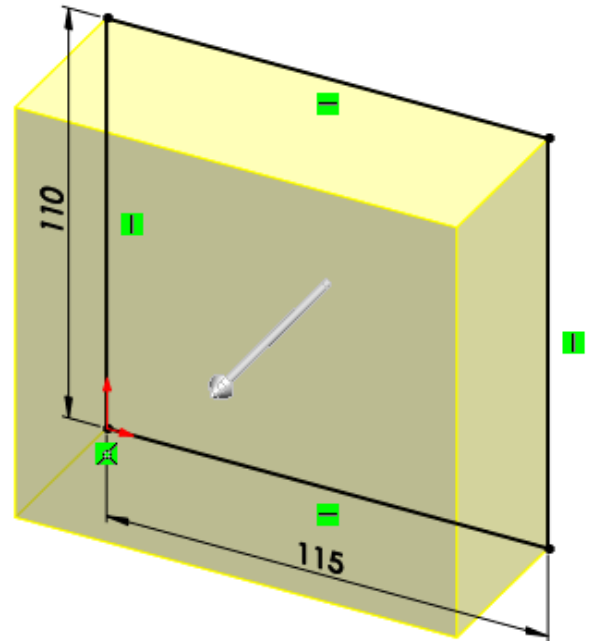




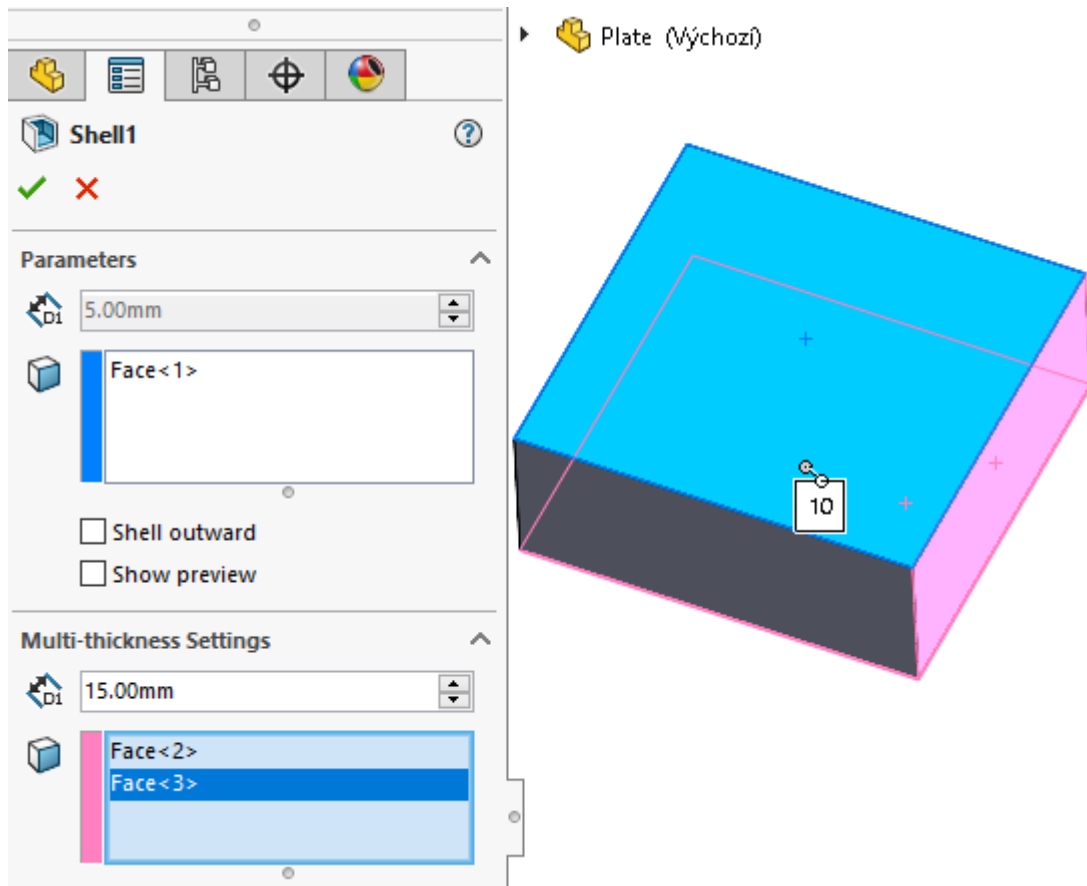
4. Add by extruding to a height of 45 mm.



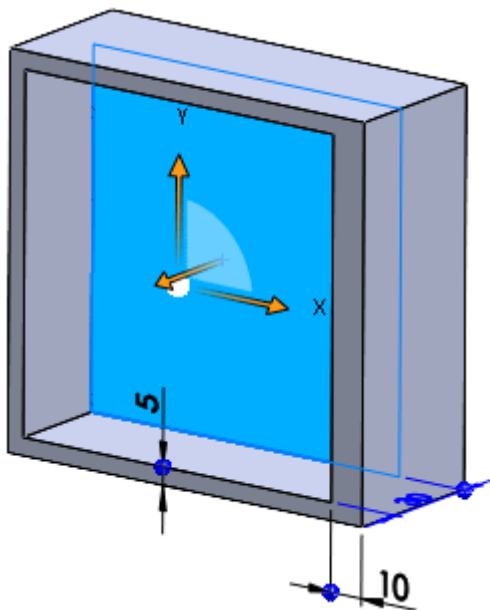
► Plate (Výchozí)



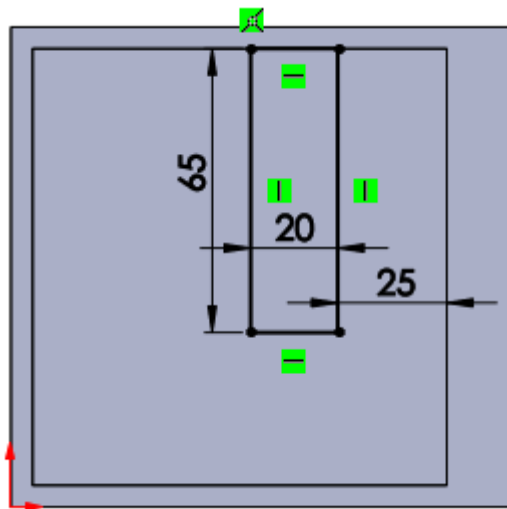
5. Create a shell with different wall thicknesses and omitting the top surface.



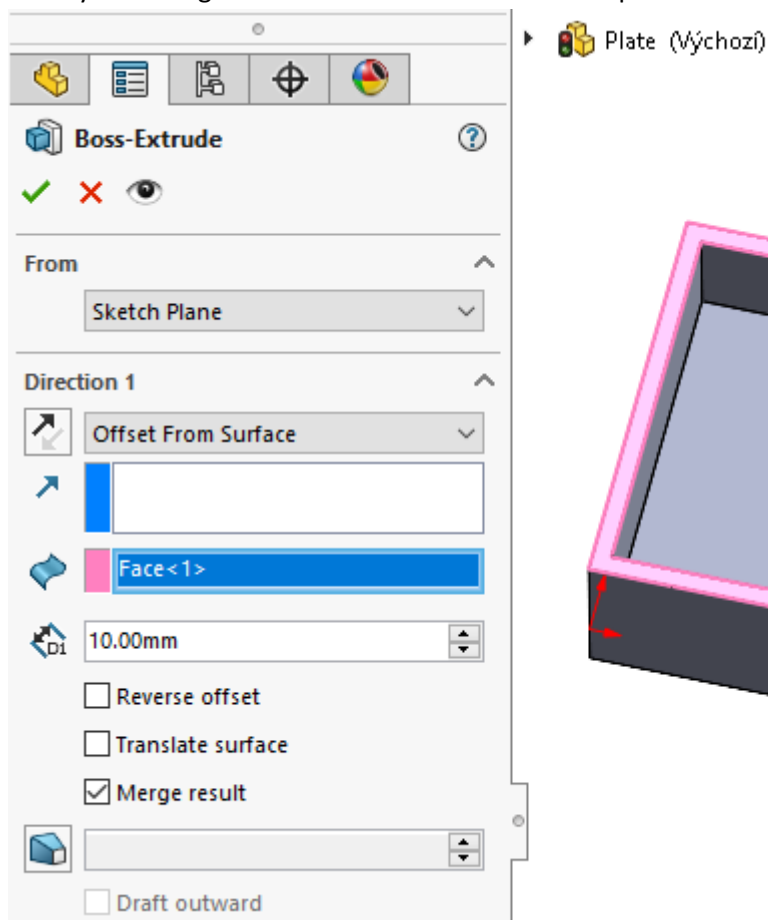
6. Select the inner surface of the model and place a new sketch on it.



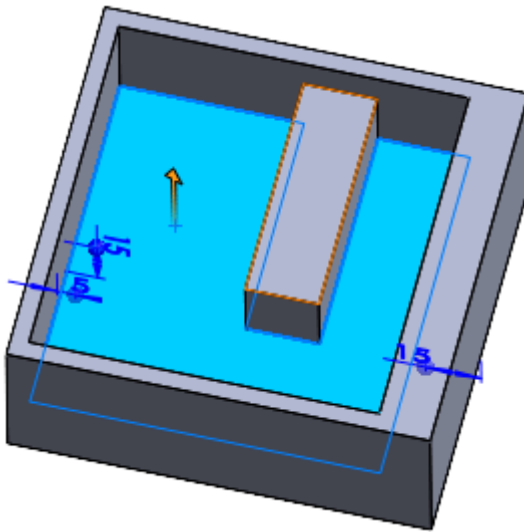
7. Draw a rectangle. Assign bindings. Create dimensions.



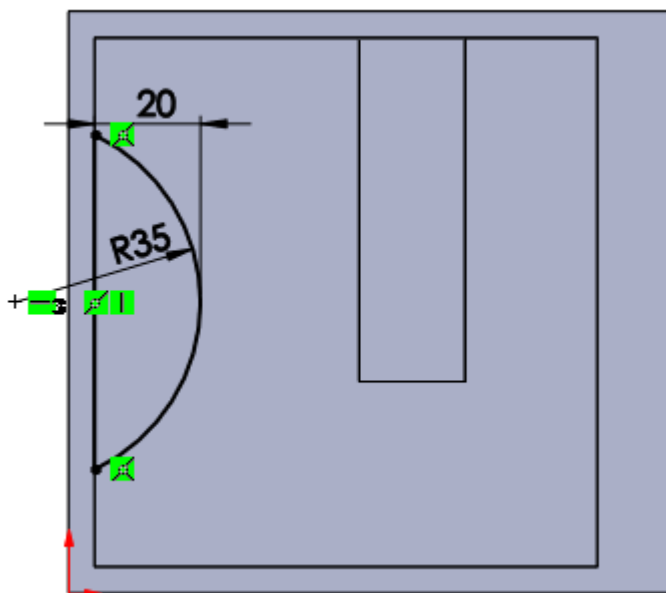
8. Add by extruding at an offset of 10 mm from the top surface.



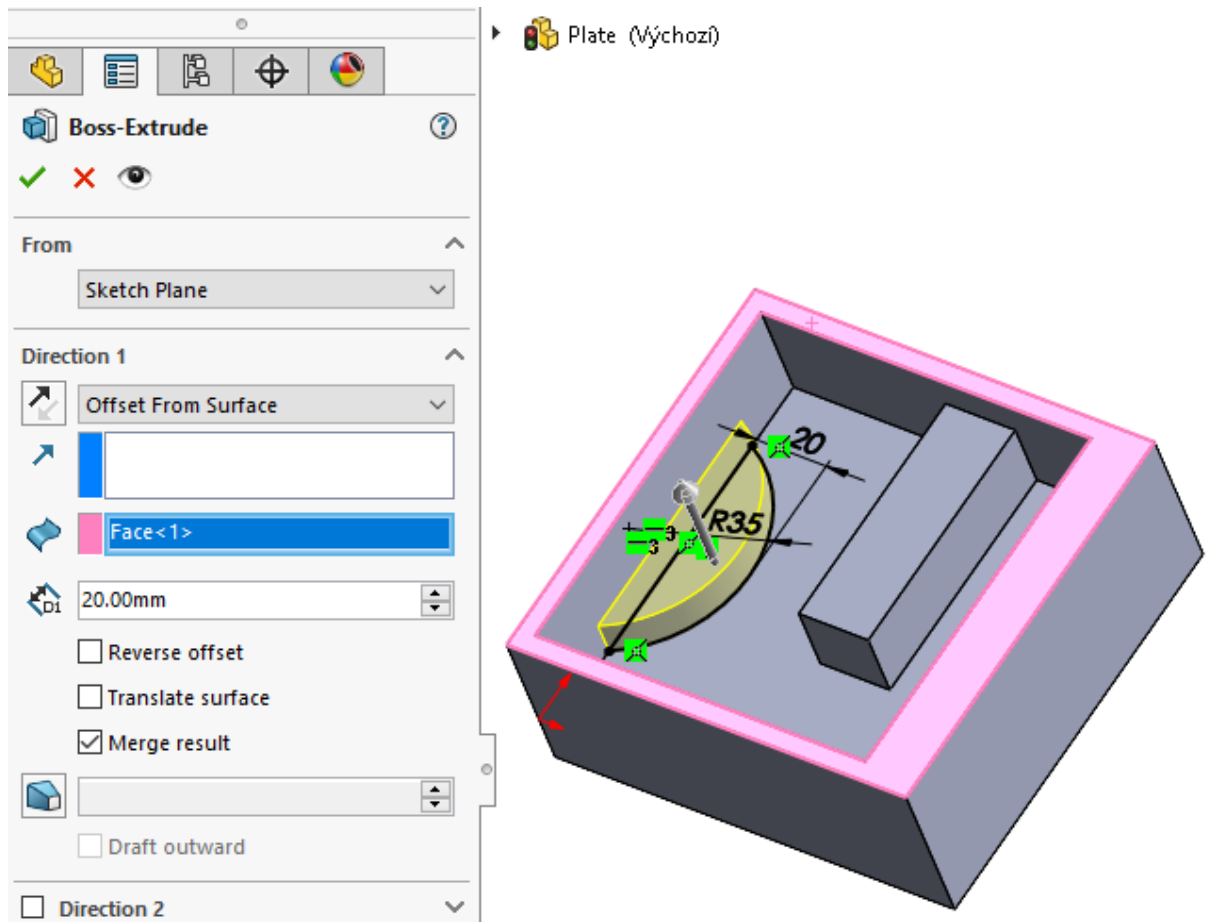
9. Select the inner surface on the model and place a new sketch on it.



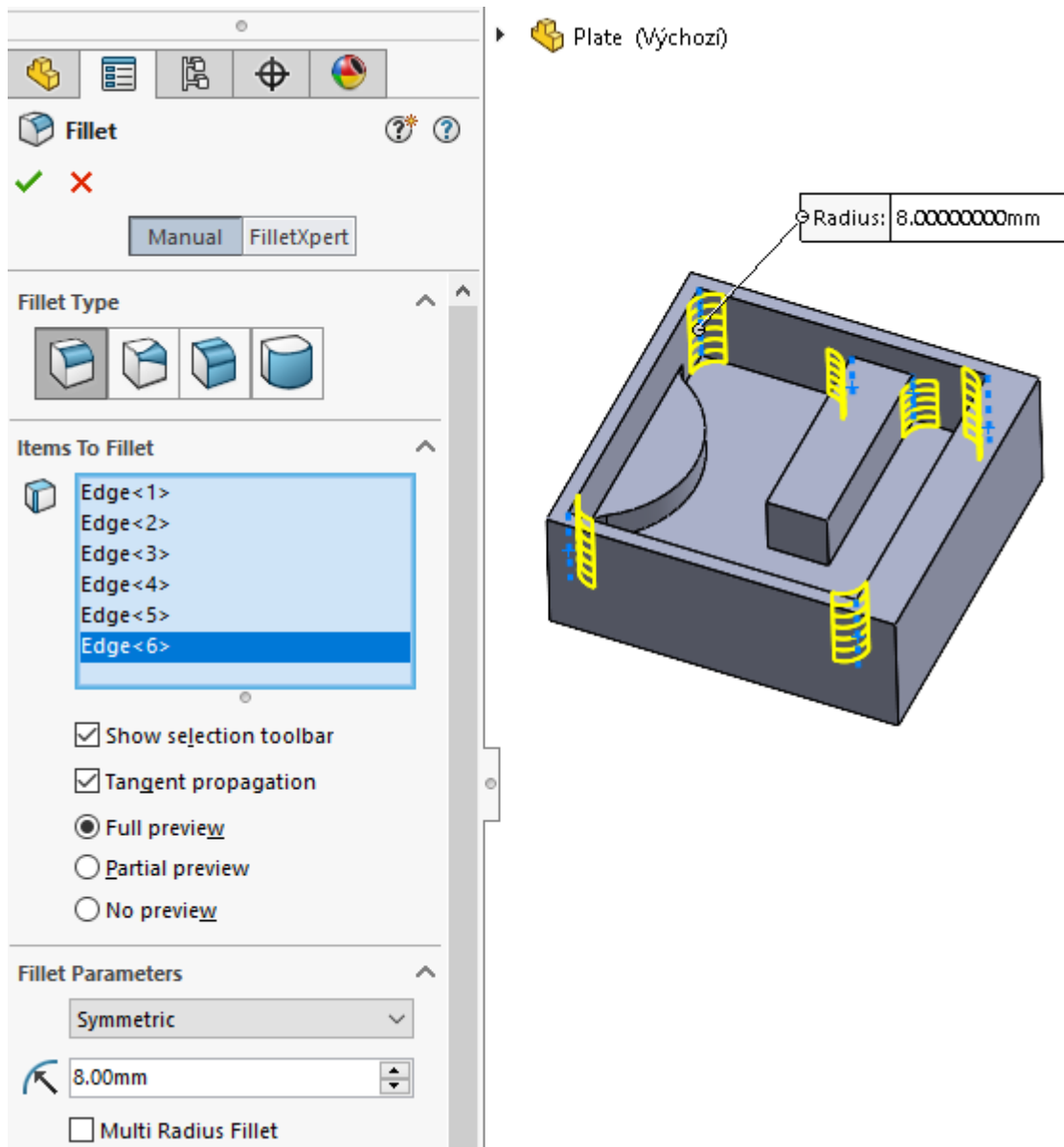
10. Draw an arc. Join the ends with a line. Assign bindings. Create dimensions.



11. Add by extruding at an offset of 20 mm from the top plane.



12. Create fillets and chamfers.



13. Save - The part is done.

