

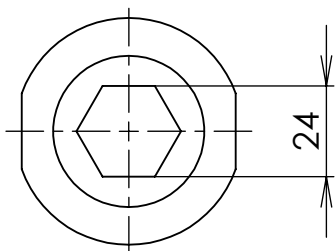
1

2

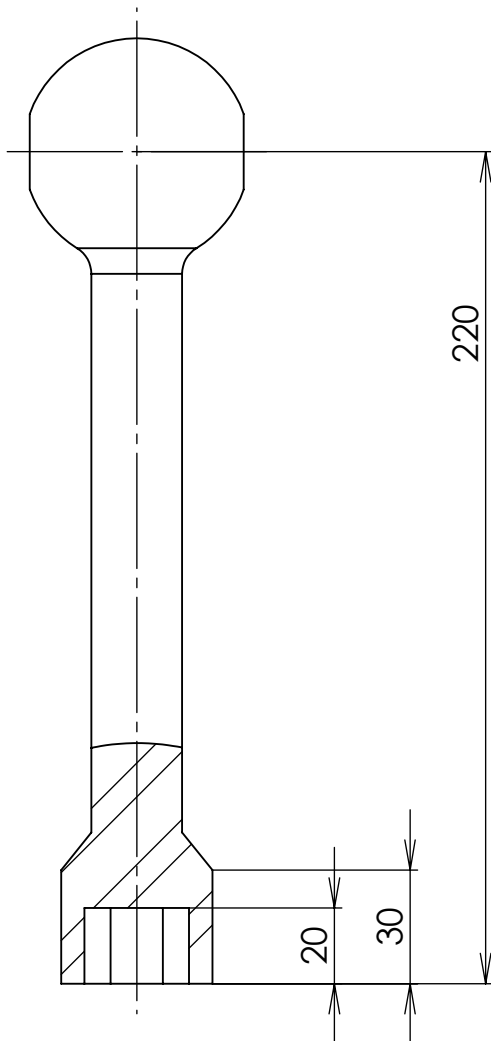
3

4

A

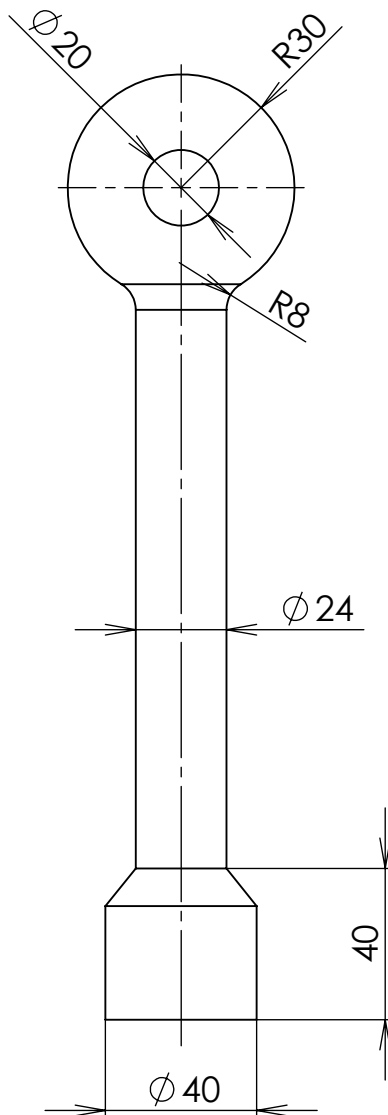


B



C

D



E

MATERIAL	11343	INDEX	CHANGE	DATE	SIGNATURE
SEMI-FINISHED PRODUCT					
TOLERATION	ISO 8015 ANO				
ACCURACY	ISO 2768 m K				
SCREENING				SCALE	1:2
DRAWN	Tomáš Plítek	APPROVED	Lukáš Vydra	ASSEM.	pos. 1 BOM
CHECKED	Tomáš Plítek	DATE	12.02.2021	REPL. FOR	

F

SOŠ a SOU technické Třemošnice



NAME

Body

DRAWING No.