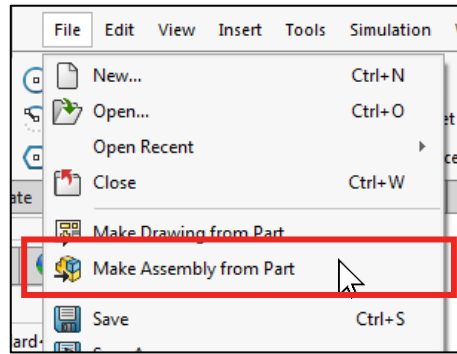
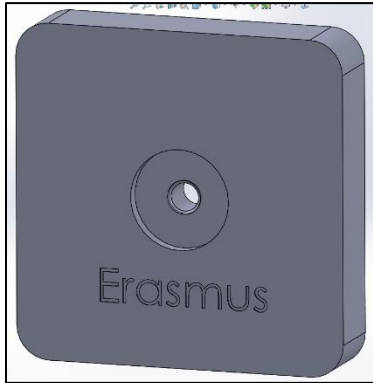


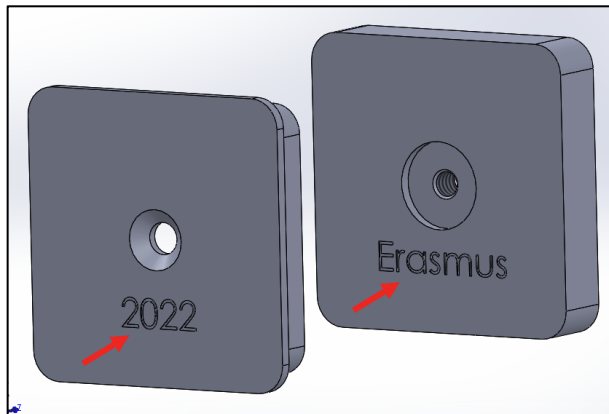
V. Combining the plates

Reference: **Baugruppe-Halterung – Project 3 Holder (1/5)**

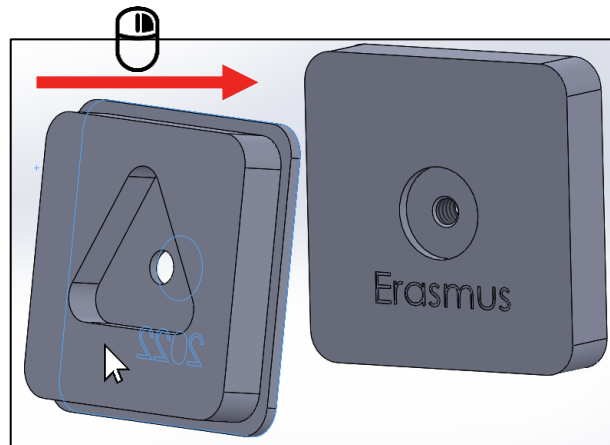
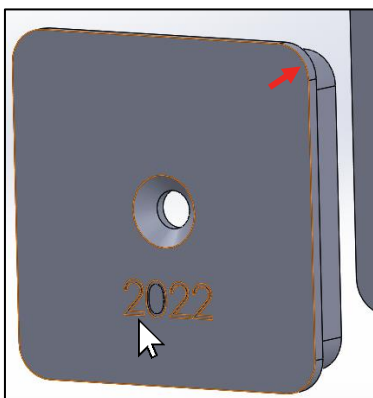
1.



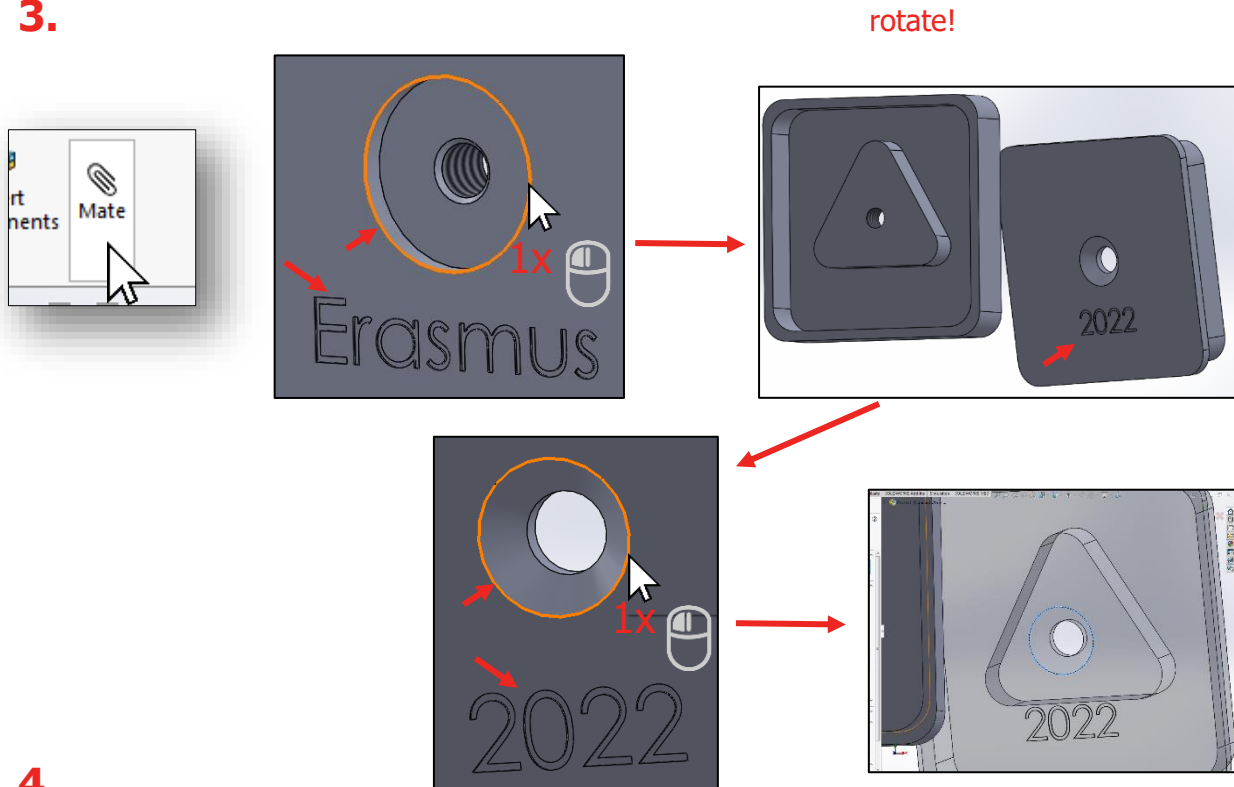
see Project 1; VI Nr. 1 - 7



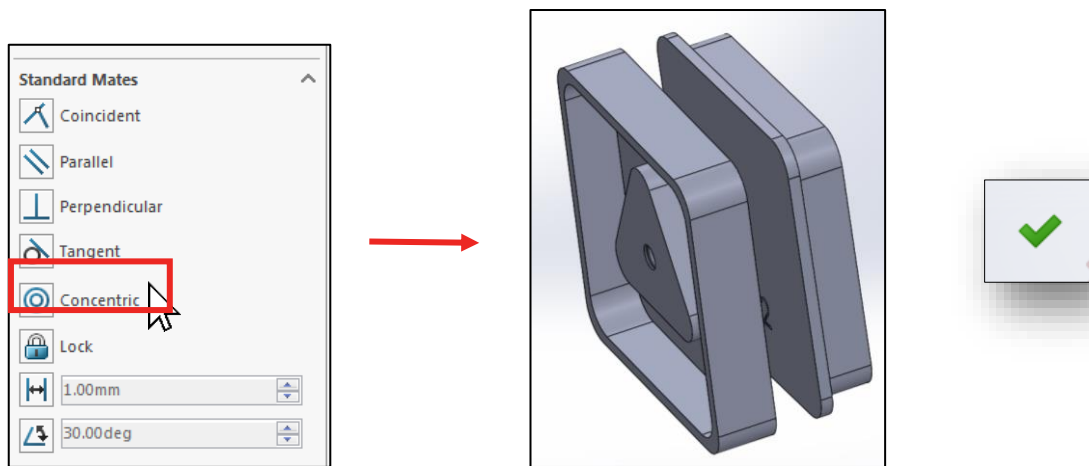
2.



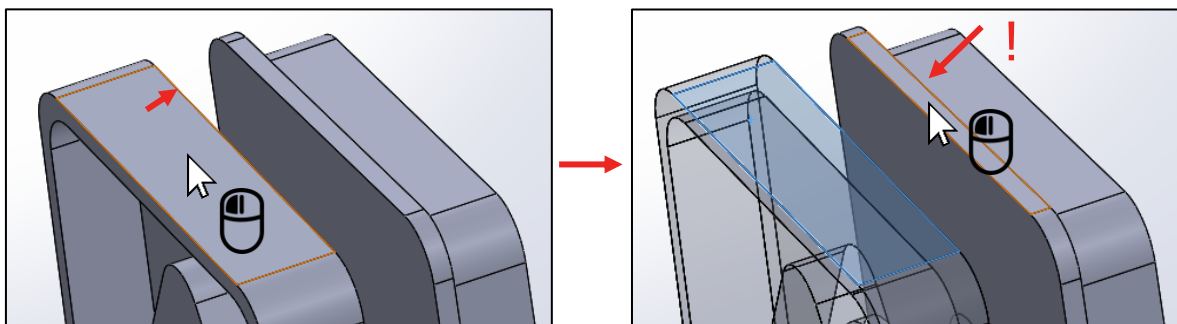
3.



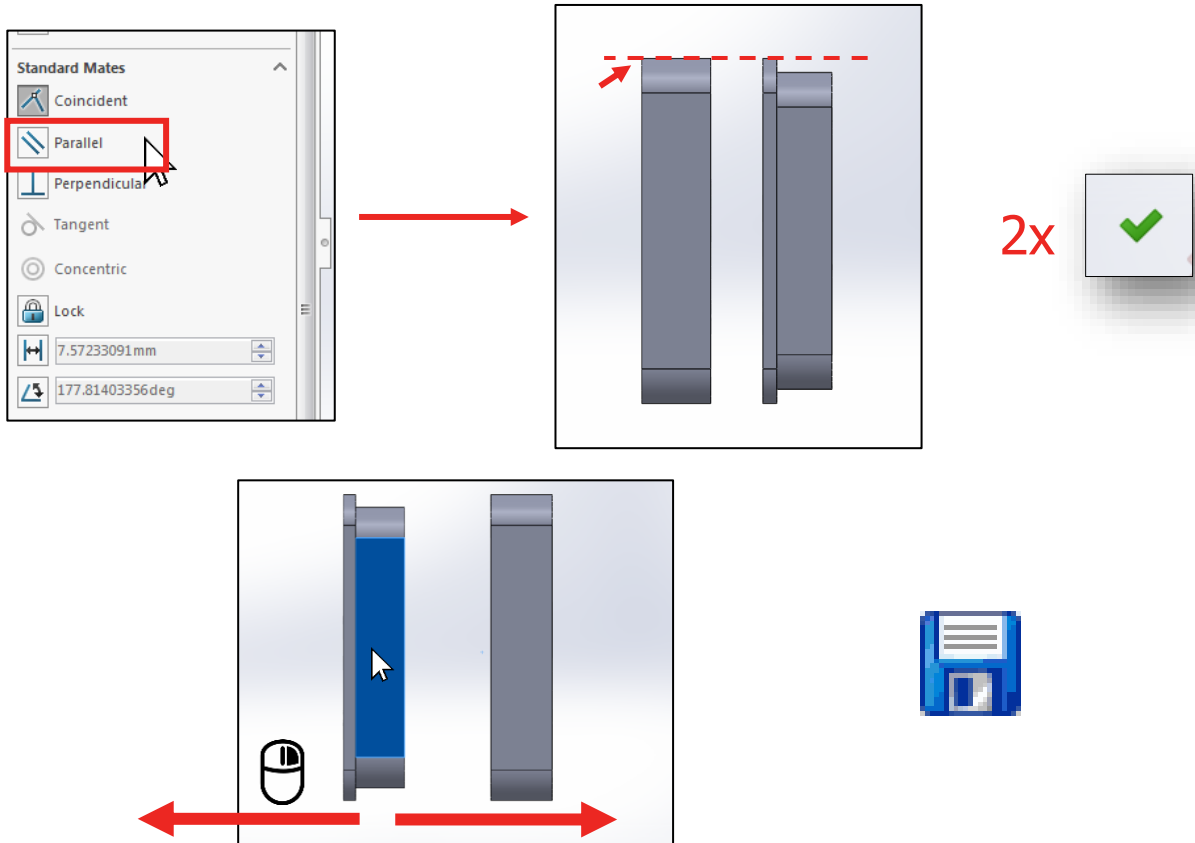
4.



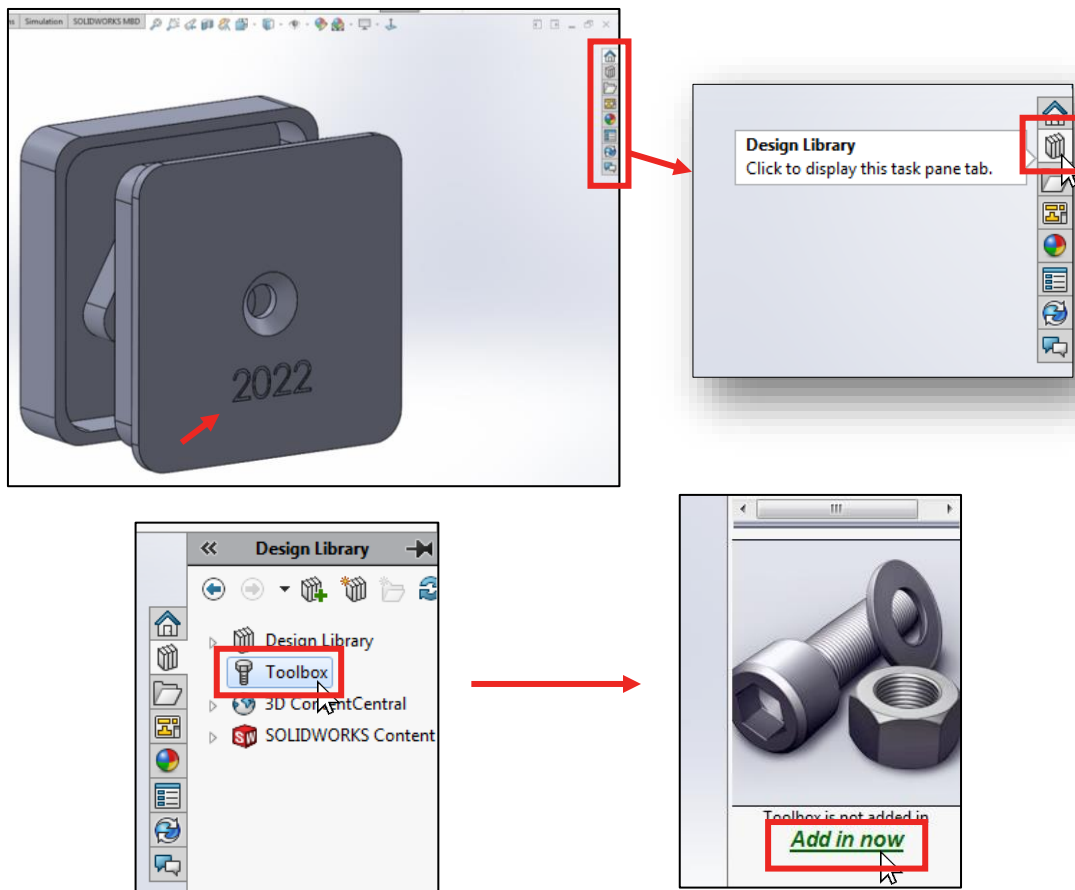
5.



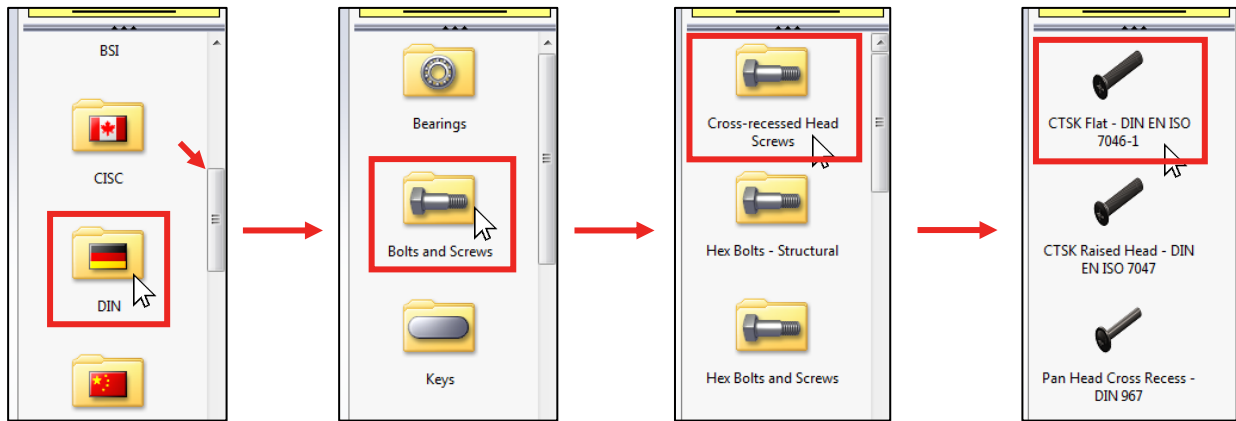
6.



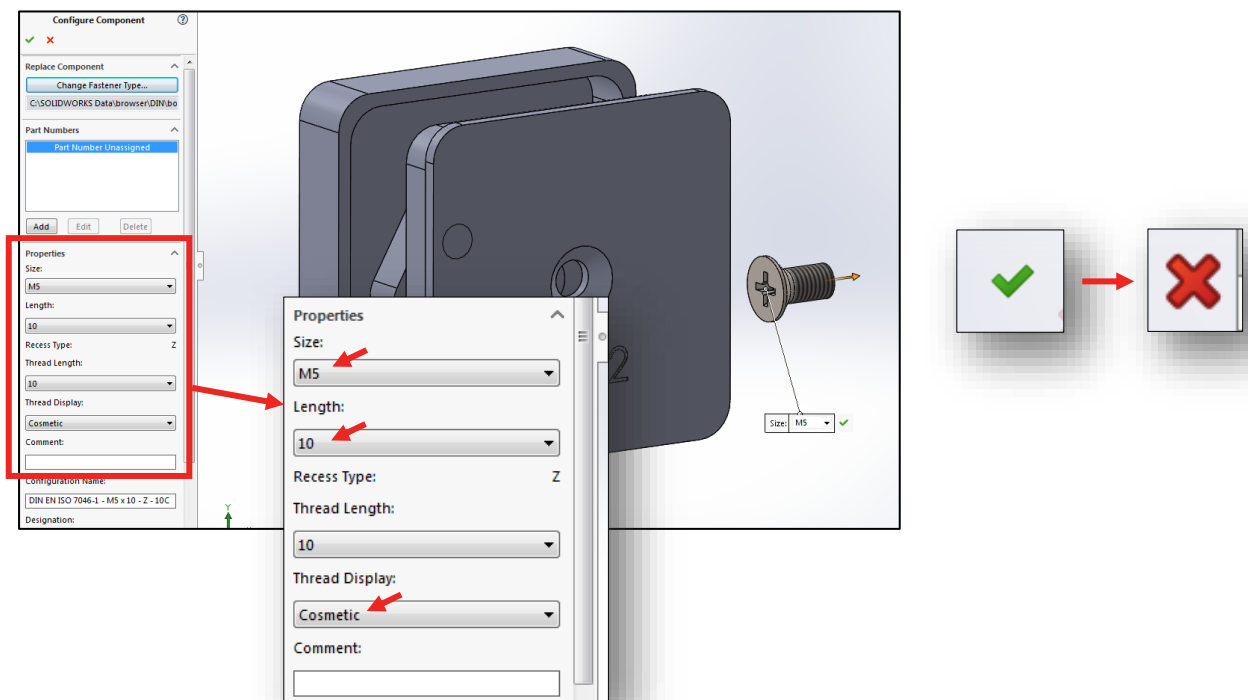
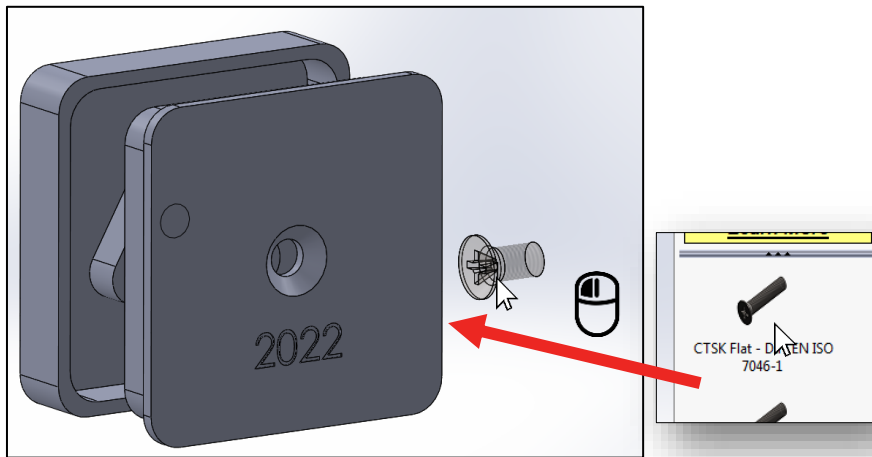
7.



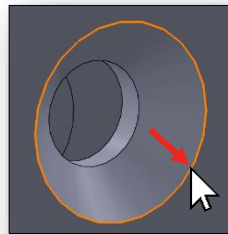
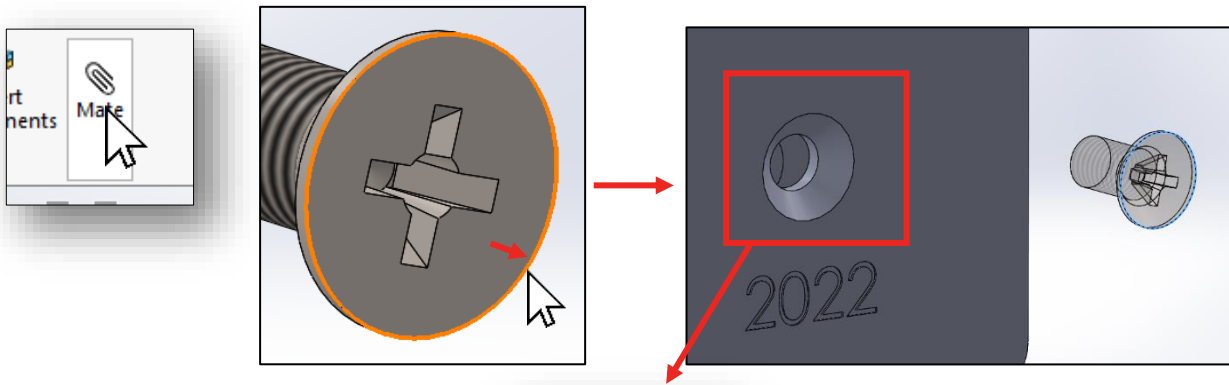
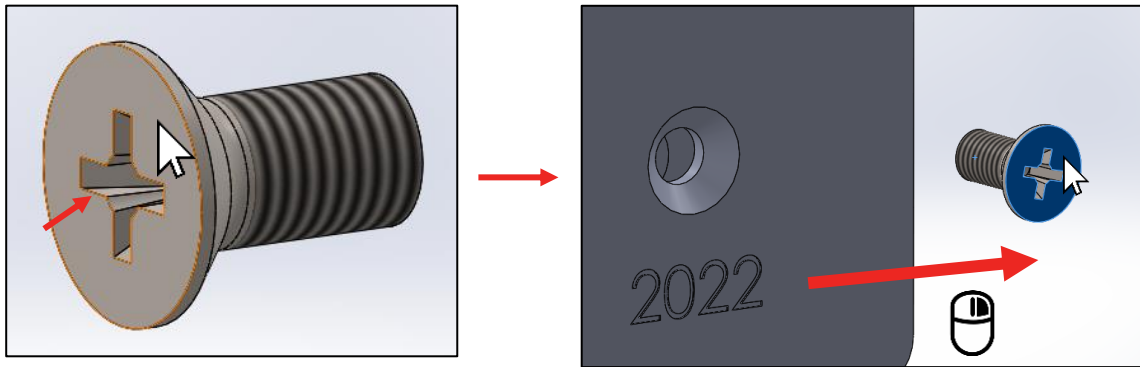
8.



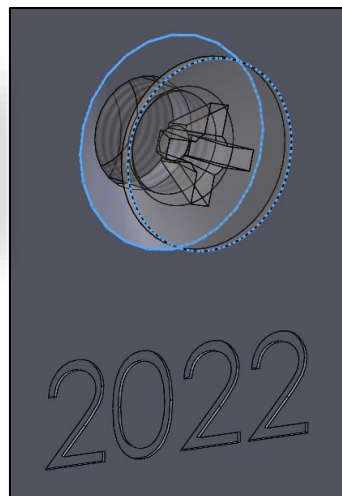
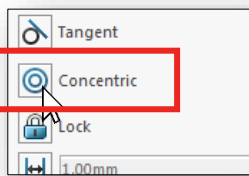
9.



10.



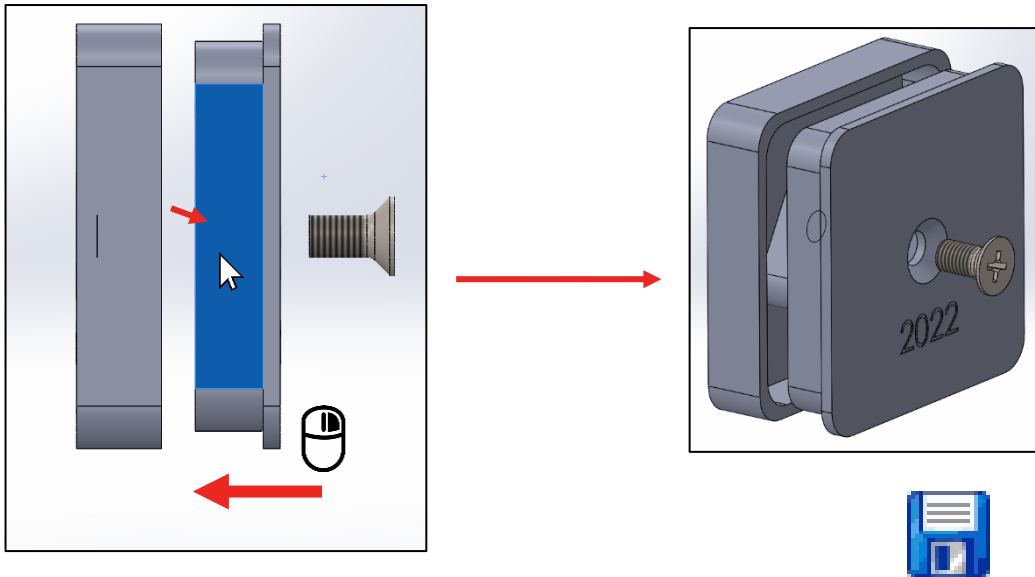
if not automatically:



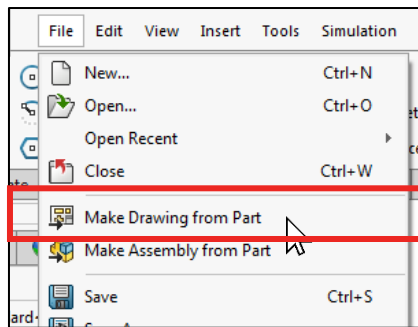
2x



11.



12.



•••
→
see Project 1
VI Nr. 14 - 16

