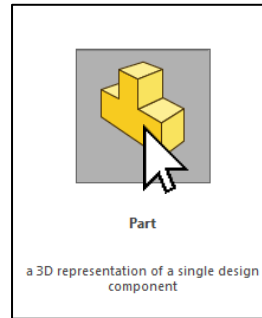
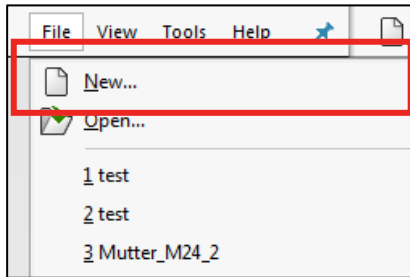


III. Drawing the counterpiece

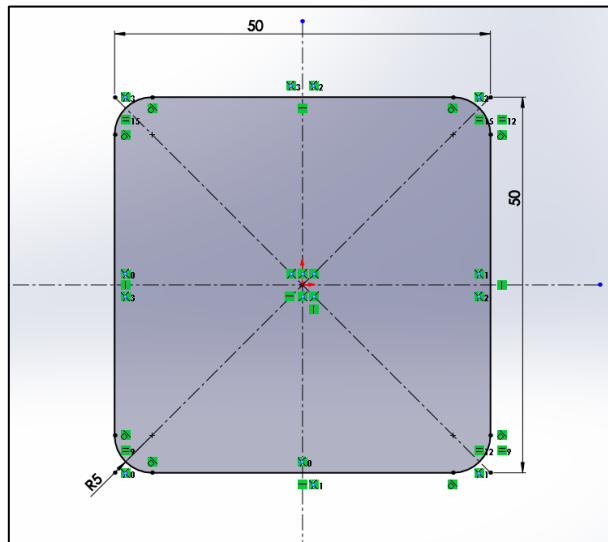
Reference: **Grundplatte_1 – Project 3 Holder (4/5)**

1.

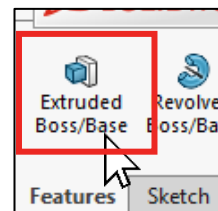
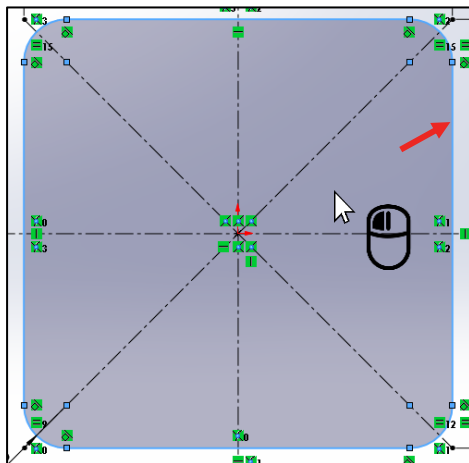


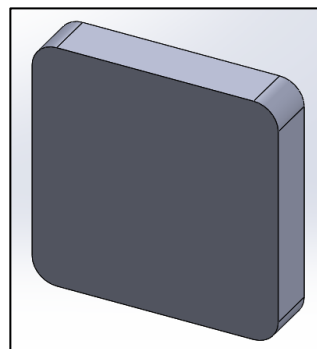
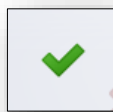
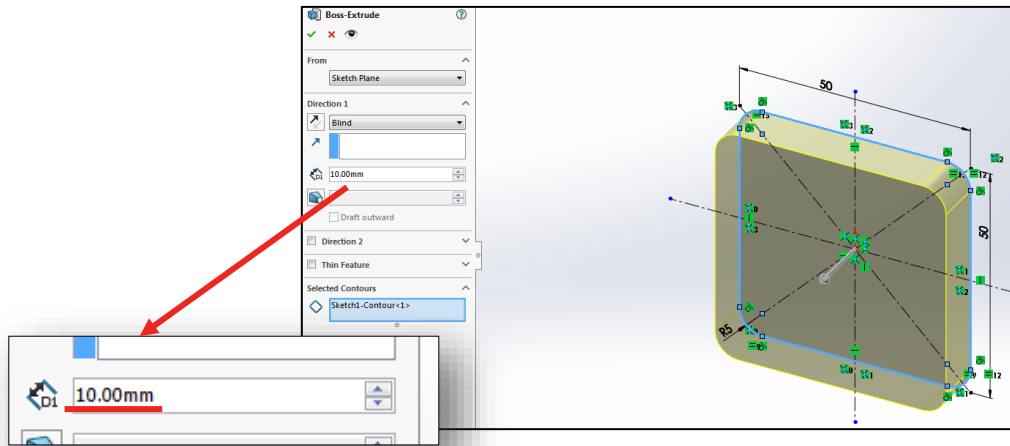
2.

see I Nr. 2 - 6

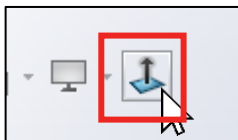


3.

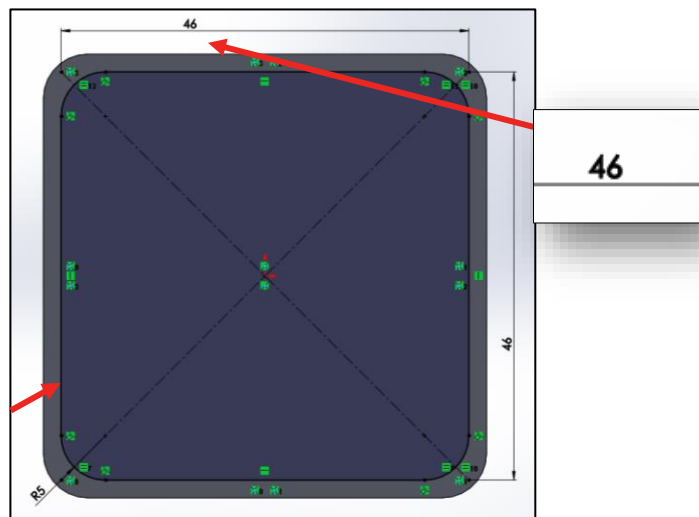




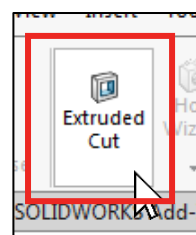
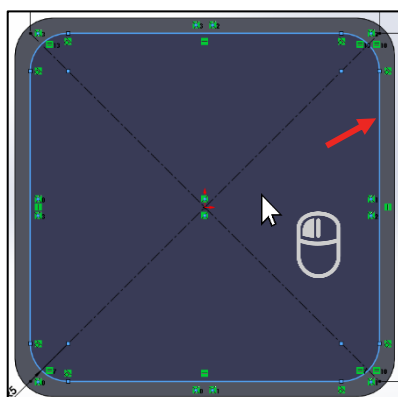
4.

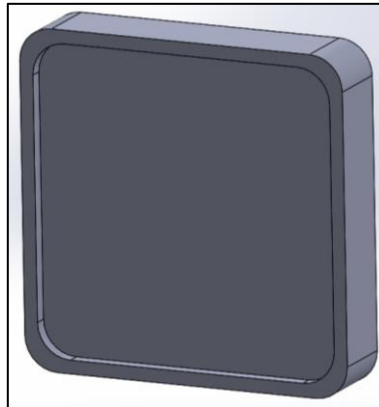
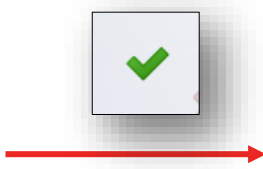
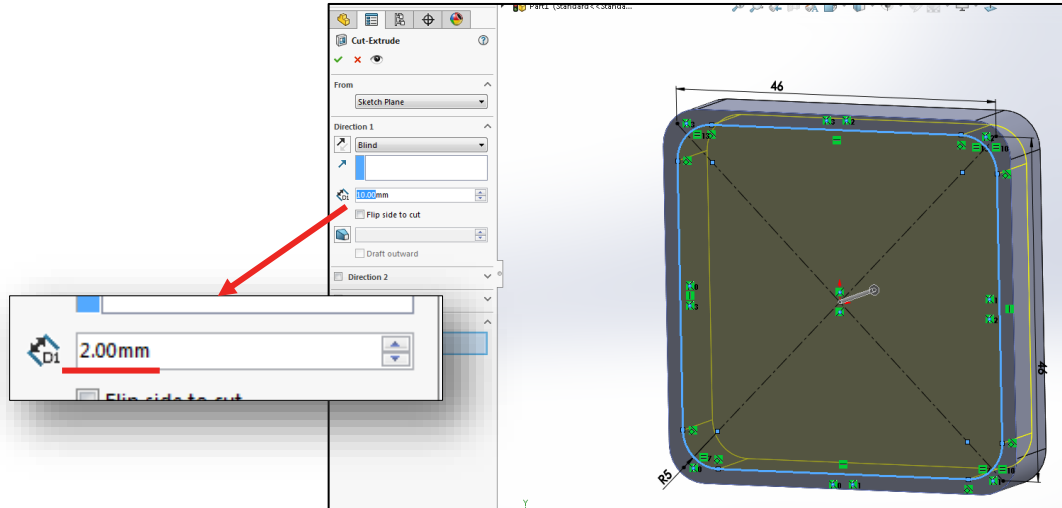


see I Nr. 10 - 12

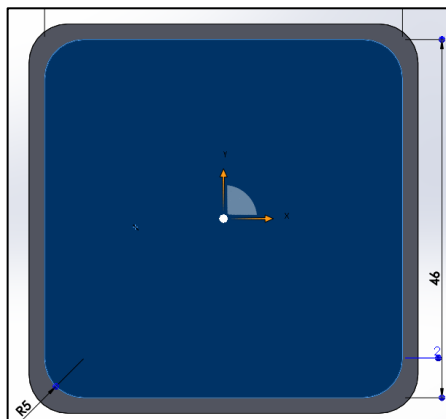
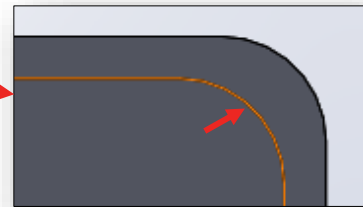
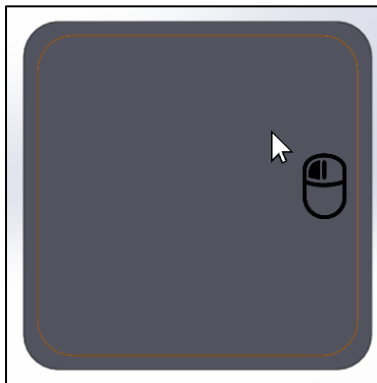
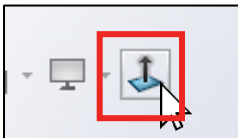


5.



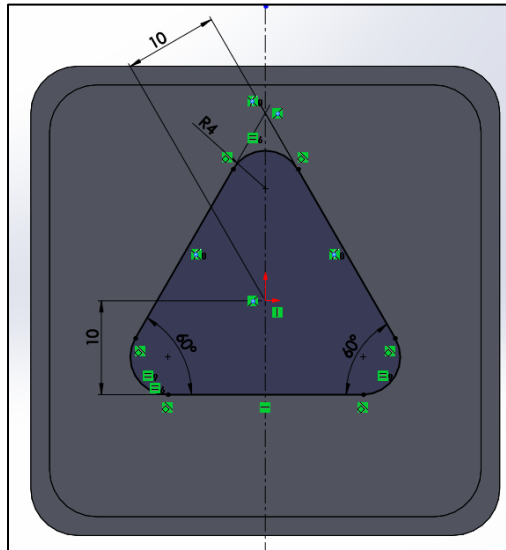


6.

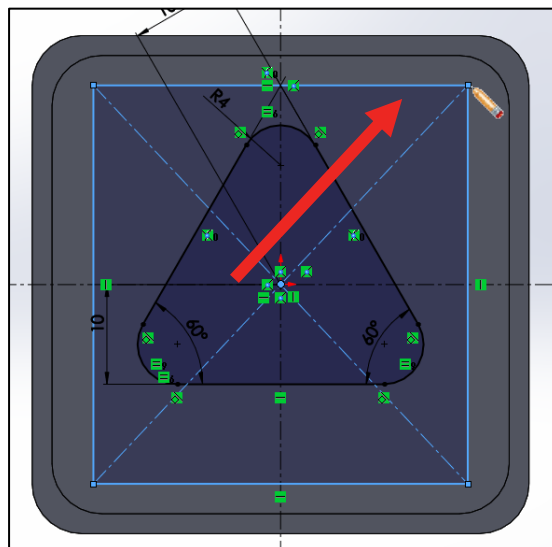
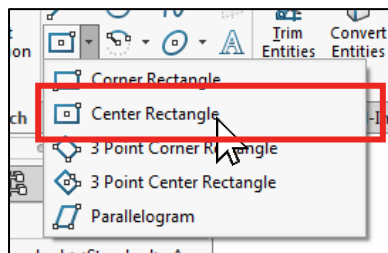


7.

see I Nr. 16 - 18

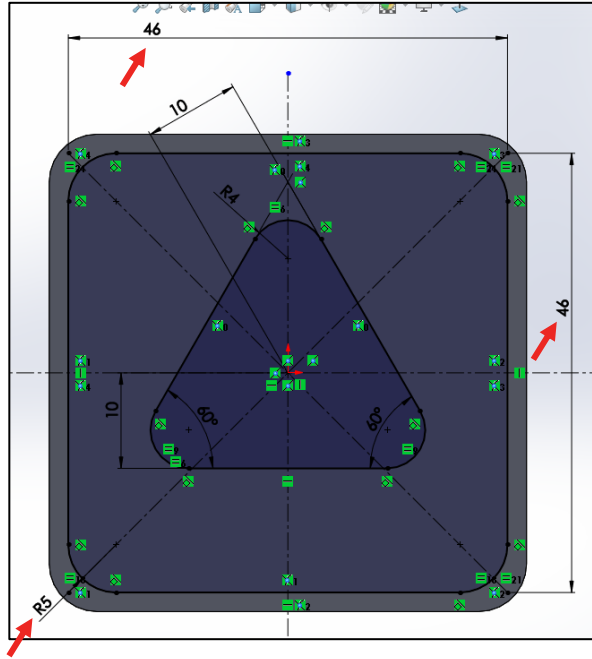


8.

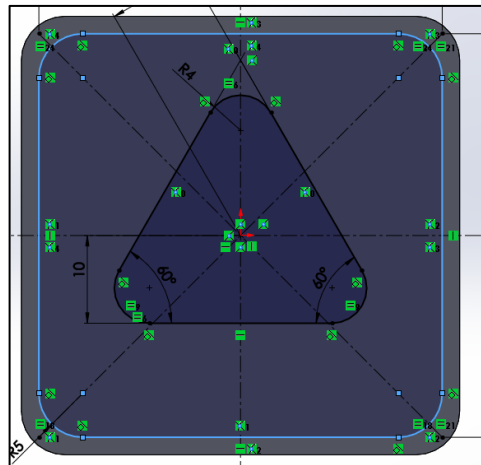
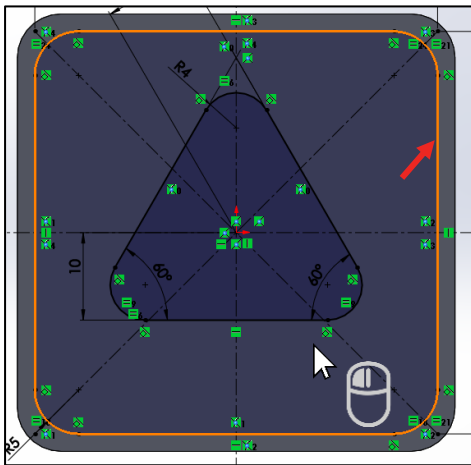


9.

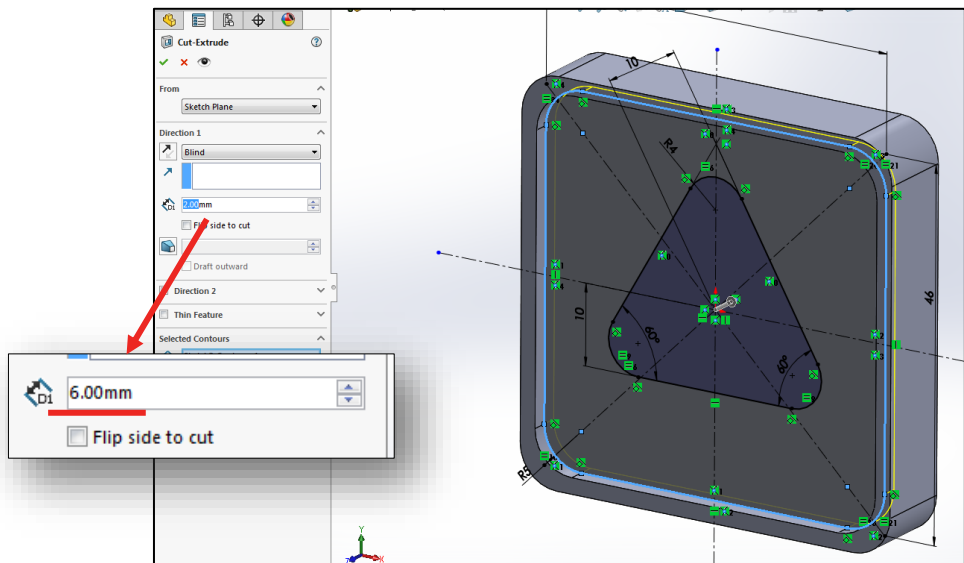
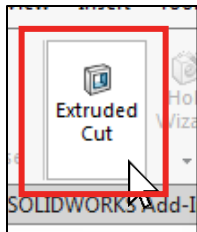
see 4.



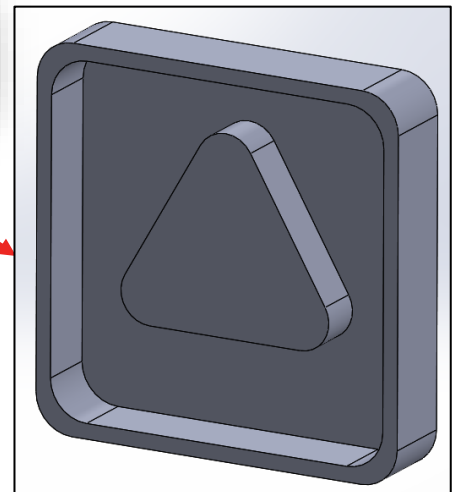
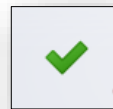
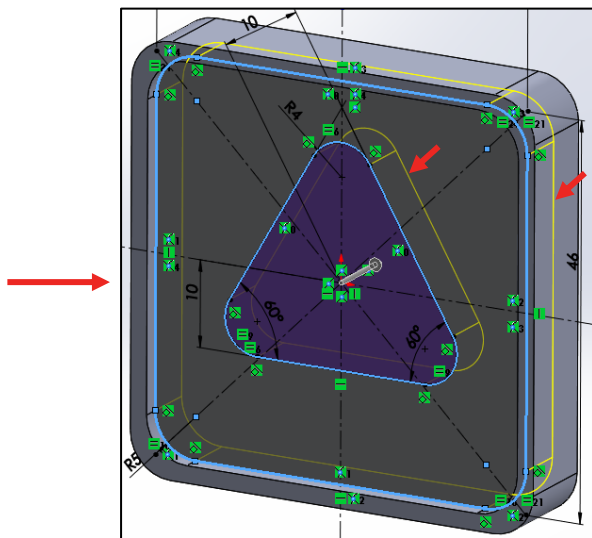
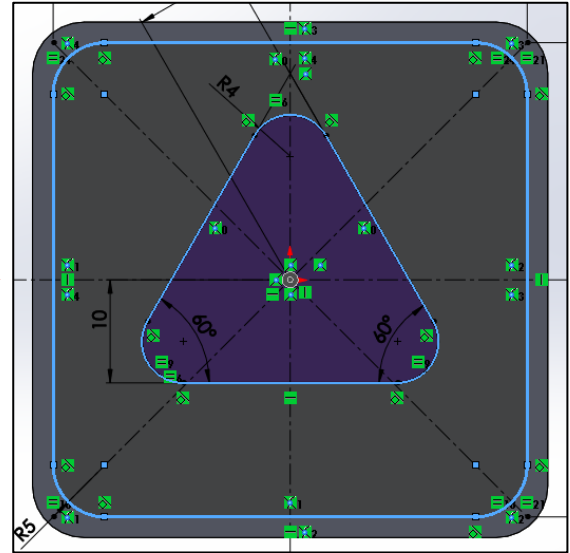
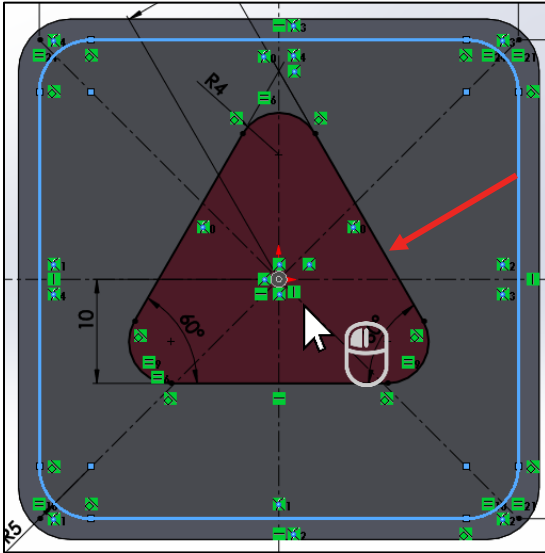
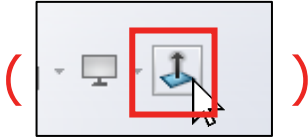
10.



11.



12.



13.

