



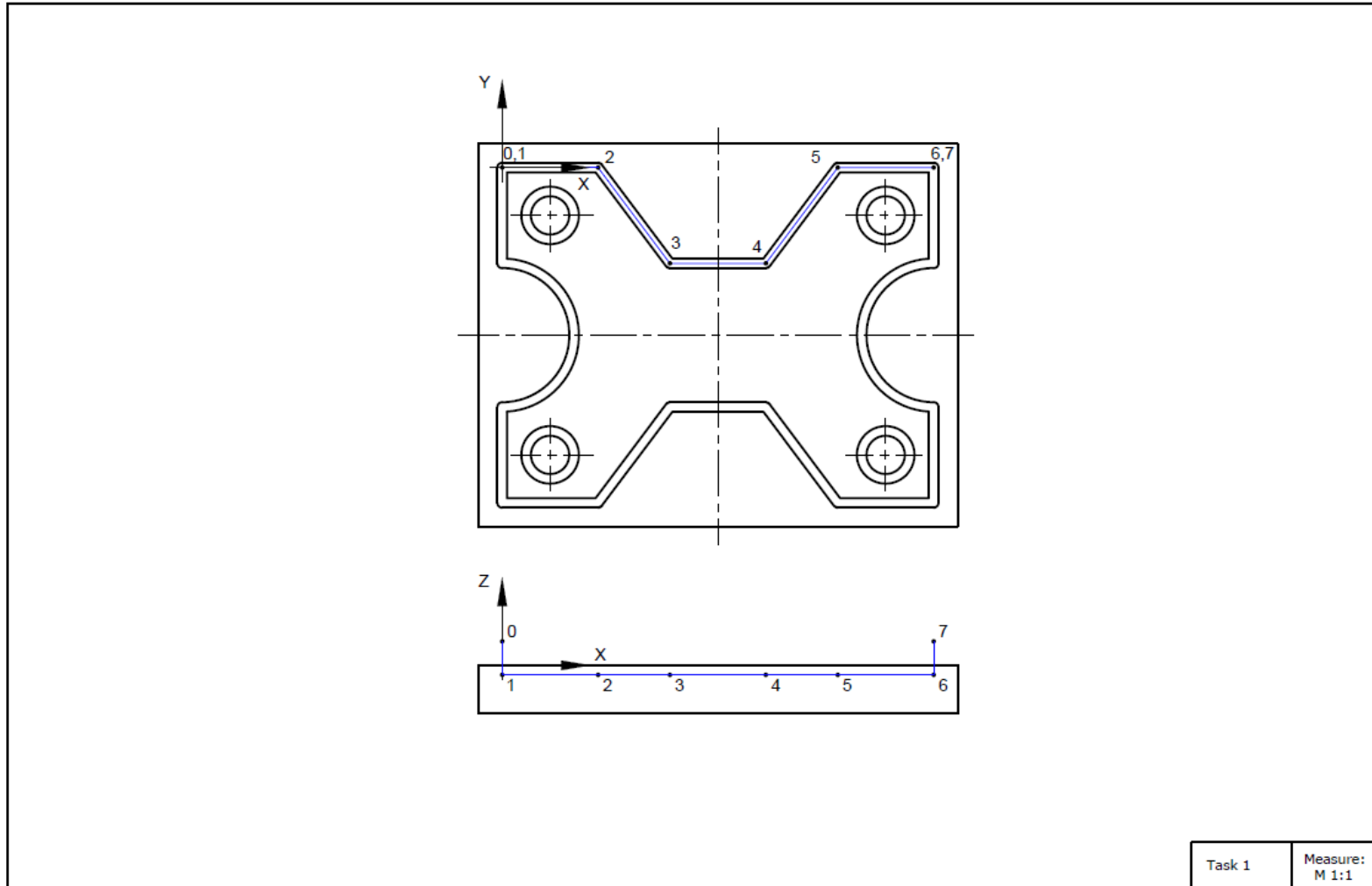
Field of education:
Mechanical engineering

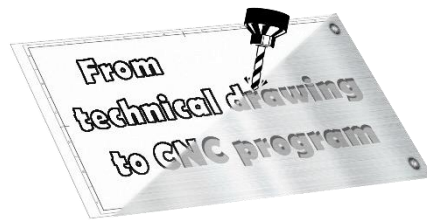
Professional qualification:
CNC operator

Exercise:
**Programming of CNC machine
(solution)**

Variant:
Task 27 – Support plate 4.2.

Solution:





Required written code that should be inserted into the control unit:

G1 Z-2

X20

X35

Y-20

X55

X70 Y0

X90

Z5

M30

Explanation of the G-code:

%Setting the coordinate system $x=0$, $y=0$, $z=5$; point 0

G1 Z-2 %Tool entry into material; point 1

X20 %Straight milling; point 2

X35 %Straight milling; point 3

Y-20 %Straight milling; point 4

X55 %Straight milling; point 5

X70 Y0 %Straight milling; point 6

X90 %Straight milling; point 7

Z5 %Lifting of tool; point 8

M30 %End of program