

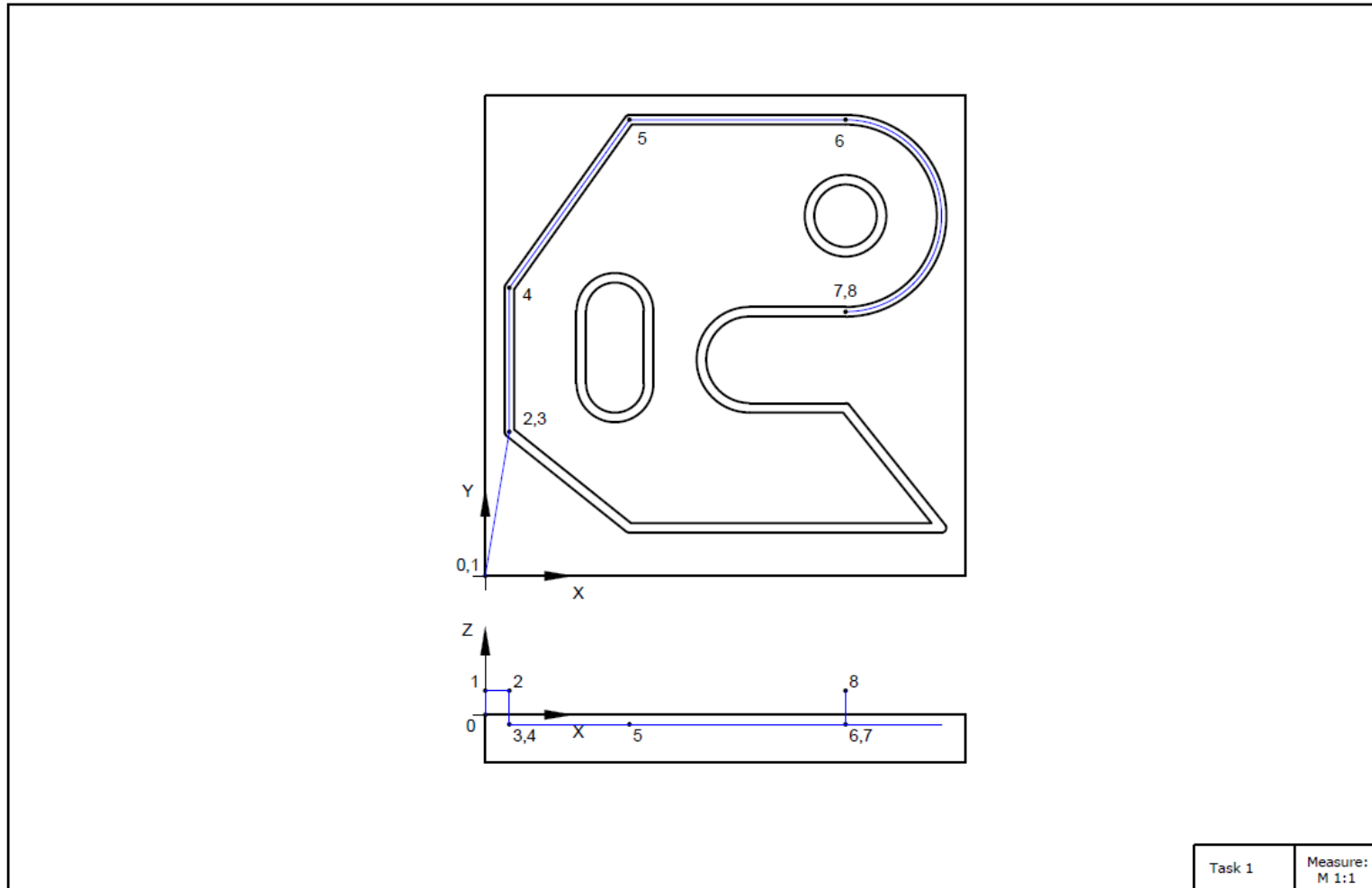
Field of education:
Mechanical engineering

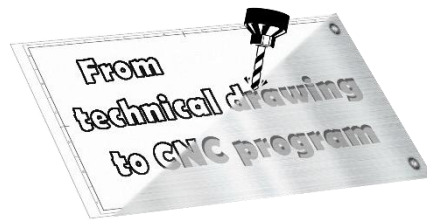
Professional qualification:
CNC operator

Exercise:
**Programming of CNC machine
(solution)**

Variant:
Task 18 – Support plate 1.1.

Solution:





Required written code that should be inserted into the control unit:

G0 Z5
X5 Y30
G1 Z-2
Y60
X30 Y95
X75
G2 Y55 R20
G1 Z5
M30

Explanation of the G-code:

%Setting the coordinate system $x=0$, $y=0$, $z=0$; point 0

G0 Z5 %Lifting of tool; point 1

X5 Y30 %Positioning at the starting point; point 2

G1 Z-2 %Tool entry into material; point 3

Y60 %Straight milling; point 4

X30 Y95 %Straight milling; point 5

X75 %Straight milling; point 6

G2 Y55 R20 %Radial milling; point 7

G1 Z5 %Lifting of tool; point 8

M30 %End of program